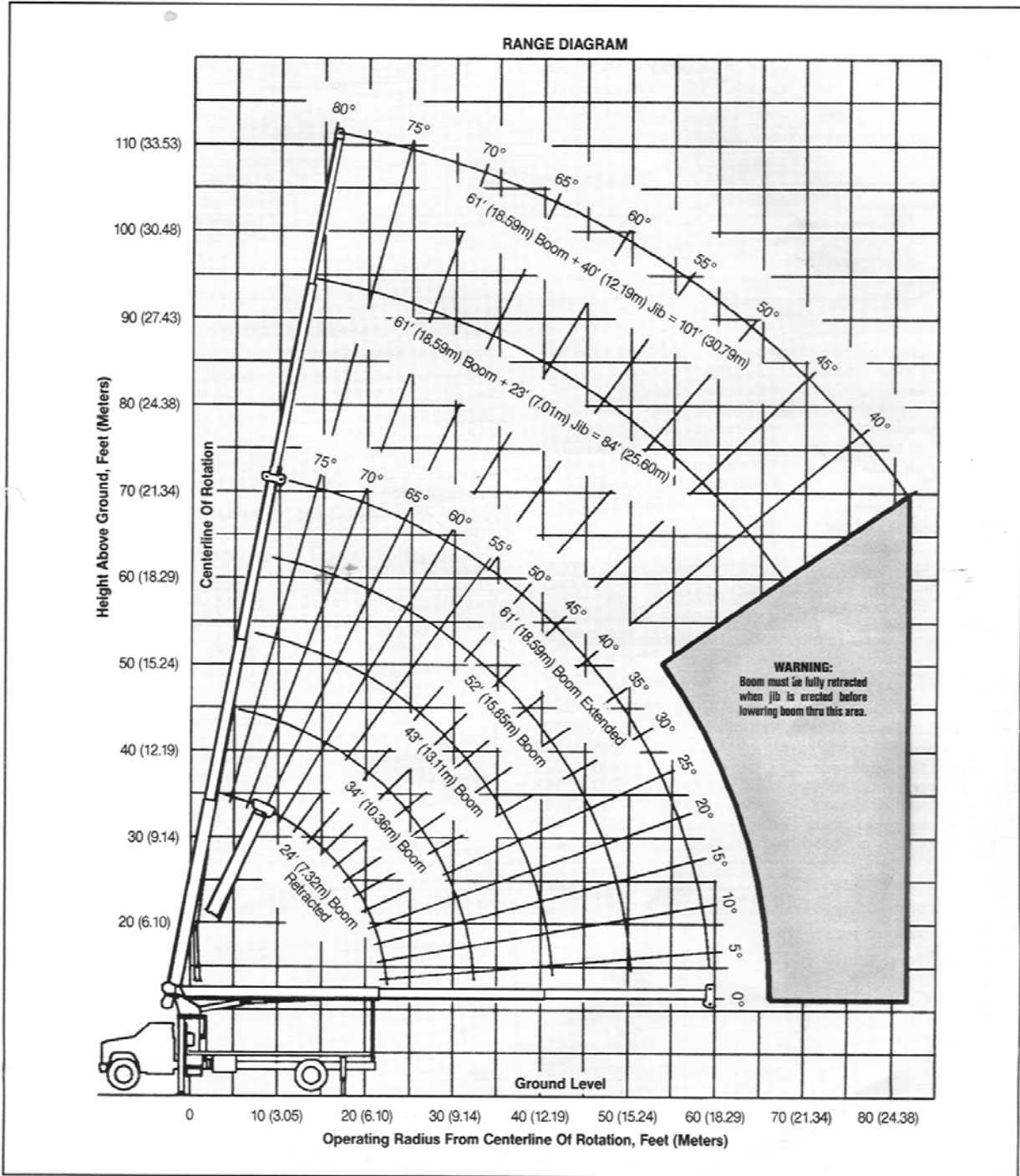




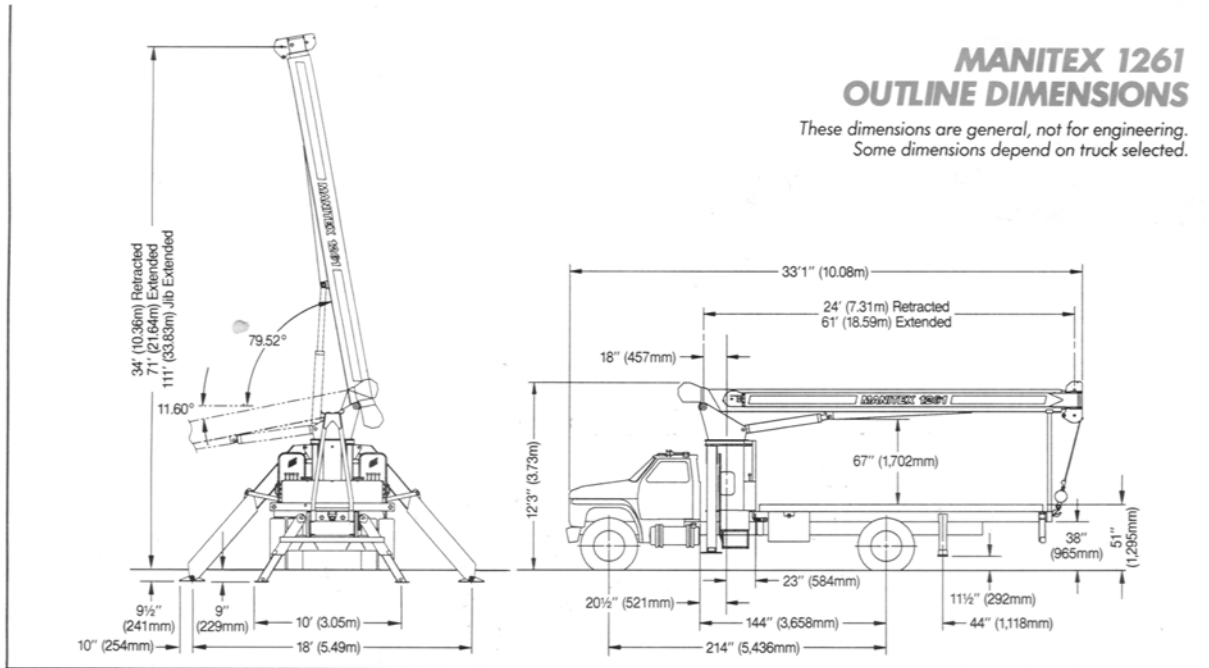
GENERAL SPECIFICATIONS

MODEL 1261 TRUCK-MOUNTED CRANE



MANITEX 1261 OUTLINE DIMENSIONS

These dimensions are general, not for engineering.
Some dimensions depend on truck selected.



STANDARD EQUIPMENT

- 3-section telescopic boom
- 24' (7.32m) to 61' (18.59m)
- Pedestal, turret, rotation bearing & swing system
- 18' (5.49m) subframe
- A-frame link type outriggers
- A-frame rear stabilizers
- 2-sheave boom point
- Boom hoist cylinder
- 2-speed planetary hoist
- Dual operator stations
- Engine start/stop
- Removable boom rest
- 5-ton (4.5-mt) hook & ball
- 372° non-continuous rotation
- 56-gallon (212-liter) hydraulic reservoir
- 2-section vane type hydraulic pump
- System pressure gauge
- Electronic capacity alert system, audio/visual
- Anti-two-block shutoff
- Audible outrigger/stabilizer motion alarm
- Back-up alarm
- Signal horn
- 235' (71.63m) of 1/2" (12.7mm) EIPS IWRC wire rope
- Finish paint in ManiteX colors
- Operator/service/parts manuals

WEIGHTS

Total crane, including hydraulic fluid **Lbs. 12,650 Kgs. 5,738**

Additions:

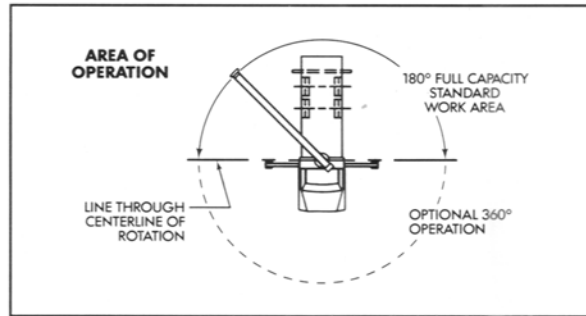
23' (7.01m) fixed-length jib **Lbs. 545 Kgs. 247**
 40' (12.19m) telescopic jib **Lbs. 820 Kgs. 372**
 15-ton (13.6-mt) single-sheave block **Lbs. 260 Kgs. 118**
 Hanger sheave for 3- and 4-part line **Lbs. 50 Kgs. 23**
 18'4" (5.49m) steel or wood bed **Lbs. 1,800 Kgs. 817**
 20'4" (6.20m) steel or wood bed **Lbs. 1,900 Kgs. 862**

TRUCK CHASSIS DATA

Minimum Requirements:

Some configurations and options may increase requirements

Wheelbase	214"	5,436mm
Cab to axle	144"	3,658mm
Front axle gross weight rating	9,000 lbs.	4,082 kgs
Rear axle gross weight rating	17,500 lbs.	7,938 kgs
Frame section modulus	18.0 in ³	295 cc
Frame section modulus	50,000 psi	344,750 kPa
Frame section modulus	13.0 in ³	213 cc
Frame section modulus	110,000 psi	758,450 kPa
Nominal frame width	34"	864mm



ALLOWABLE LINE PULL			
1-PART LINE	2-PART LINE	3-PART LINE	4-PART LINE
7,600 Lbs. (3,447 Kgs.) ¹ 7,400 Lbs. (3,356 Kgs.) ²	15,200 Lbs. (6,894 Kgs.) ¹ 14,800 Lbs. (6,713 Kgs.) ²	22,800 Lbs. (10,342 Kgs.) ¹ 22,200 Lbs. (10,069 Kgs.) ²	25,000 Lbs. (11,340 Kgs.) ¹ 25,000 Lbs. (11,340 Kgs.) ²
WARNING: Anti-two block system must be in good operating condition before operating crane. Refer to Owner's Manual. Keep at least 3 wraps of load line on drum at all times.			
¹ With 1/2" (12.7mm) or 5/16" (14.3mm) 6 x 25 EIPS IWRC (3.5:1 S.F.) 26,600 Lbs. (12,065 Kgs.) Minimum Breaking Strength			
² With 5/16" (14.3mm) Rotation Resistant (5.0:1 S.F.) 37,000 Lbs. (16,782 Kgs.) Minimum Breaking Strength			

STANDARD SPECIFICATIONS AND FEATURES

BOOM—24' (7.32m) to 61' (18.59m). Inverted-T cross section. 3-section telescoping type, extended and retracted proportionally by double-acting hydraulic cylinder and cable-crowd system. Maximum tip height 71' (21.64m).

BOOM POINT—Two high-density nylon sheaves mounted on heavy-duty roller bearings. Two removable pin-type rope guards.

HOIST—Maximum line speed 253 fpm (77.11 mpm). Maximum bottom-layer line pull 10,600 lbs. (4,808 kgs). Two-speed planetary reducer. Spring-applied, pressure-released internal brake.

WIRE ROPE—235' (71.63m) of ½" (12.7mm) diameter 6 x 25 EIPS IWRC.

BOOM ELEVATION—Double-acting hydraulic cylinder. Working range from 12° below horizontal to 80° above.

SWING SYSTEM—Externally mounted, double-reduction planetary driven by hydraulic motor. Maximum swing speed 1.50 rpm. Wet multi-disc internal brake is spring applied, pressure released. Oversized diameter ball bearing swing circle with external gear. 372° non-continuous rotation.

OUTRIGGERS—8' (2.44m) retracted; 18'0" (5.49m) extended. A-frame link type. Operated independently for precise leveling. Equipped with double-acting hydraulic cylinders. 16" (406mm) x 20" (508mm) pivoting pads. 9½" (241mm) maximum rise.

STABILIZERS—8' (2.44m) retracted; 10' (3.05m) extended. A-frame type. Operated independently for precise leveling. Double-acting hydraulic cylinders. 8" (203mm) x 11" (279mm) fixed pads. 9" (229mm) maximum rise.

SUBFRAME—Torsionally resistant, rigid 4-plate design. Mounted under crane full length of truck frame.

REAR UNDERRIDE PROTECTION—Supplied on factory-mounted cranes. Fabricated structure mounted under rear of bed. Complies with Bureau Motor Carrier Safety standard 393.86.

BACK-UP ALARM—Supplied on factory-mounted cranes. Electronic audible motion alarm activated when truck transmission is in reverse gear.

MOUNTING—Pedestal and subframe are mounted to chassis by threaded rods and clamp plates. No welding, drilling, or bolting to truck.

CONTROL SYSTEM—Dual operator stations are equipped with 4 single-lever crane controls arranged to ANSI B30.5 standards. Fully proportional control valves and system pressure gauge. Each station also includes outrigger and stabilizer controls, engine start/stop, foot throttle, signal horn, capacity-alert console, boom-angle indicator, bubble levels, load chart and range diagram.

HYDRAULIC SYSTEM—A 2-section vane pump direct mounted to power takeoff on truck transmission provides 35 gpm (133 lpm) to the hoist and 18 gpm (68 lpm) to other crane functions. 56-gallon (212-liter) baffled reservoir includes 10-micron filter in the return line. All fittings meet SAE standards and have O-ring face seals.

HYDRAULIC CYLINDERS—All are equipped with integral holding valves.

BOOM REST—Heavy-duty fabrication. Easily removed to simplify loading and unloading.

LOAD HOOK—5-ton (4.5-mt) capacity hook with heavy-duty swivel and weight is provided for single-line operation.

CAPACITY-ALERT SYSTEM—Electronically senses boom-hoist cylinder pressures. Color-coded gauge at each operator station and audible alarm indicate approaching overload. Optional shutdown system hydraulically prevents continuing overload.

ANTI-TWO-BLOCK SYSTEM—Audible warning and shutoff functions prevent hook from contacting boom point.

ELECTRICAL—12-volt direct current. Environmentally sealed enclosure contains printed circuit board, accessory circuit, terminal strips and relay. Externally mounted labeled fuses and accessory outlet.

DESIGN/WELDING—Design conforms to ANSI B30.5. Welding conforms to AWS D1.1.

MANUALS—Operator, service and parts manuals depict correct crane operation, maintenance procedures and parts listing.

WARRANTY—12-month warranty covers parts and labor resulting from defects in material or workmanship.

OPERATOR ASSIST FEATURES

- Anti-two-block warning and shutoff
- Electronic capacity-alert system, audio/visual
- Load chart/range diagram
- Boom-angle indicator
- Audible outrigger/stabilizer motion alarm
- Engine start/stop
- Signal horn
- Back-up alarm

OPTIONS

FIXED SWING-AROUND JIB—23' (7.01m) fixed length. Stows along boom base. Maximum tip height 94' (28.65m).

TELESCOPIC SWING-AROUND JIB—Working lengths 23' (7.01m) and 40' (12.19m). Stows along boom base. Telescopic section stows inside jib base. Manually pinned in retracted or extended position. Maximum tip height 111' (33.83m).

BED—8' (2.44m) x 18'4" (5.59m) or 20'4" (6.20m). Deck of high-density hardwood or diamond steel tread plate. Cross sills on 12" (305mm) centers. Bolts to subframe.

- ¾" (14.3mm) wire rope, 6 x 25 EIPS IWRC
- ¾" (14.3mm) rotation-resistant wire rope
- Hook block for 2- or 3-part load line
- Hook block for 4-part load line
- Hanger sheave for 3- or 4-part line
- Aerial baskets, 1- or 2-person
- Remote-control operation
- Front-bumper stabilizer for 360° operation
- Hydraulic swivel for continuous rotation
- Capacity overload shutdown system
- 3-section pump
- Dunnage/tool boxes
- Air throttle
- Various mountings
- Special paint
- Roofer's package
 - Pallet forks
 - Clamshell buckets
 - Hydraulic hose reel
 - Trash dumpster
 - Gravel hopper
 - Oil cooler for duty-cycle applications

MODEL 1261 LOAD RATING CHART

This capacity chart is for reference use only and must not be used for a specific serial number crane. Lifting off the main boom point while the swing-around jib is erected is not approved.

MEETS
ANSI B30.5
REQUIREMENTS

OUTRIGGERS AND STABILIZERS EXTENDED																				
Operating Radius		Load Rating 24' (7.32m) Boom			Load Rating 34' (10.36m) Boom			Load Rating 43' (13.11m) Boom			Load Rating 52' (15.85m) Boom			Load Rating 61' (18.59m) Boom						
		Loaded Bm. Angle	Pounds	Kilograms	Loaded Bm. Angle	Pounds	Kilograms	Loaded Bm. Angle	Pounds	Kilograms	Loaded Bm. Angle	Pounds	Kilograms	Loaded Bm. Angle	Pounds	Kilograms				
5'	1.52	76°	25,000	11,339																
8'	2.44	69°	18,310	8,305	76°	17,050	7,733	79°	14,460	6,559										
10'	3.05	63°	15,400	6,985	72°	14,340	6,504	76°	12,090	5,484	79°	11,390	5,166							
12'	3.66	58°	13,930	6,001	68°	12,360	5,606	74°	10,390	4,712	77°	9,810	4,449	79°	9,000	4,082				
15'	4.57	49°	10,810	4,903	63°	10,220	4,635	69°	8,570	3,887	74°	8,150	3,696	77°	7,700	3,492				
20'	6.10	28°	7,530	3,415	53°	7,850	3,560	62°	6,600	2,993	68°	6,290	2,853	72°	6,000	2,721				
25'	7.62				41°	6,150	2,789	54°	5,280	2,394	61°	5,060	2,295	67°	4,820	2,186				
30'	9.14				24°	4,470	2,027	45°	4,280	1,941	55°	4,170	1,891	61°	4,000	1,814				
35'	10.67							34°	3,390	1,537	48°	3,470	1,574	56°	3,370	1,528				
40'	12.19							17°	2,270	1,029	39°	2,860	1,297	50°	2,850	1,292				
45'	13.72										29°	2,250	1,020	43°	2,400	1,088				
50'	15.24										10°	1,210	548	35°	1,980	898				
55'	16.76													24°	1,490	675				
Deduction for Stowed Jib																				
			450	204			320	145			250	113			210	95			180	82

JIB LOAD RATING IN LBS./KGS. WITH OUTRIGGERS AND STABILIZERS EXTENDED							
Operating Radius		Jib Load Rating 23' (7.01m) Jib For All Boom Lengths			Jib Load Rating 40' (12.19m) Jib For All Boom Lengths		
		Loaded Bm. Angle	Pounds	Kilograms	Loaded Bm. Angle	Pounds	Kilograms
15'	4.57	80°	3,800	1,723			
20'	6.10	77°	3,300	1,496	79°	2,100	952
25'	7.62	74°	2,770	1,256	77°	1,900	861
30'	9.14	70°	2,350	1,066	74°	1,650	748
35'	10.67	66°	2,030	920	71°	1,450	657
40'	12.19	63°	1,760	798	68°	1,280	580
45'	13.72	59°	1,510	685	65°	1,140	517
50'	15.24	54°	1,290	585	62°	1,020	462
55'	16.76	50°	1,100	499	58°	920	417
60'	18.29	45°	930	421	55°	830	376
65'	19.81	40°	780	353	51°	750	340
70'	21.34	34°	640	290	48°	680	308
75'	22.86				44°	610	276
80'	24.38				39°	520	235
85'	25.91				34°	440	200

WARNING: Before operating any Manitex crane, the operator must read and understand the owner's manual and other instructions for a specific serial number crane. This chart is only a guide. The notes and warnings are for illustration only and cannot be used to operate a crane.

The operating radius shown in the jib load rating chart is for fully extended boom only. When boom is not fully extended, use only loaded boom angle to determine load rating of jib. Do not rely on capacity-alert system when lifting from jib.

Main boom load ratings above the heavy line are based on a constant hoist cylinder pressure, machine structural competence, and do not exceed 85% of tipping. Jib load ratings above the heavy line are based only on machine structural competence and do not exceed 85% of tipping.

DO NOT OPERATE A MANITEX TRUCK-MOUNTED CRANE OR ACCESSORIES WITHIN 10' (3.05m) OF LIVE POWER LINES.

Crane load ratings on outriggers are based on freely suspended loads with the machine leveled and standing on a firm uniform supporting surface. No attempt shall be made to move a load horizontally on the ground in any direction.

INFORMATION: Deductions must be made from rated loads for stowed jib, optional attachments, hooks, and load blocks (see deduction chart). Weights of slings and all other load handling devices shall be considered a part of the load.

Deductions From Rated Loads For Manitex Supplied Load Handling Devices	
Hanger Sheave	50 Lbs. (23 Kgs.)
Overhaul Ball	120 Lbs. (54 Kgs.)
Single-Sheave Load Block	260 Lbs. (118 Kgs.)
Double-Sheave Load Block	350 Lbs. (159 Kgs.)
Hose Reel	190 Lbs. (86 Kgs.)
Swing-Around Jib	See load chart



MANITEX, INC.
A Subsidiary of The Manitowoc Company, Inc.
4300 Acapulco Avenue ■ McAllen, Texas 78503
Telephone: 210-630-2690 ■ Telefax: 210-630-2695



Because of continuing improvements, Manitex reserves the right to change product specifications without notice.
Form 2503-1092 Printed in U.S.A. ©1992 Manitex