

EN-US

LR 1160.1

LR 1003.04.07/08
www.liebherr.com

LIEBHERR

Crawler cranes

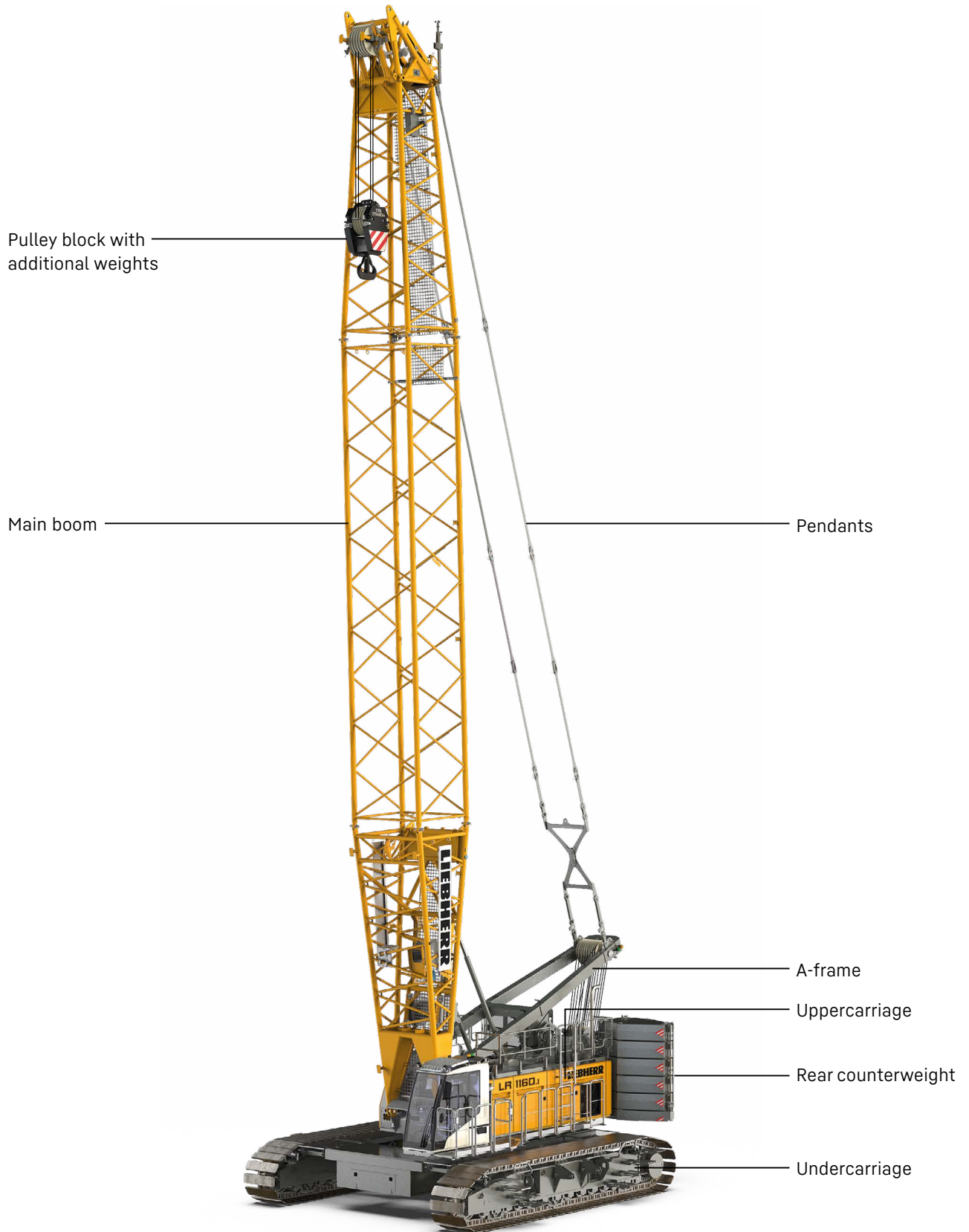


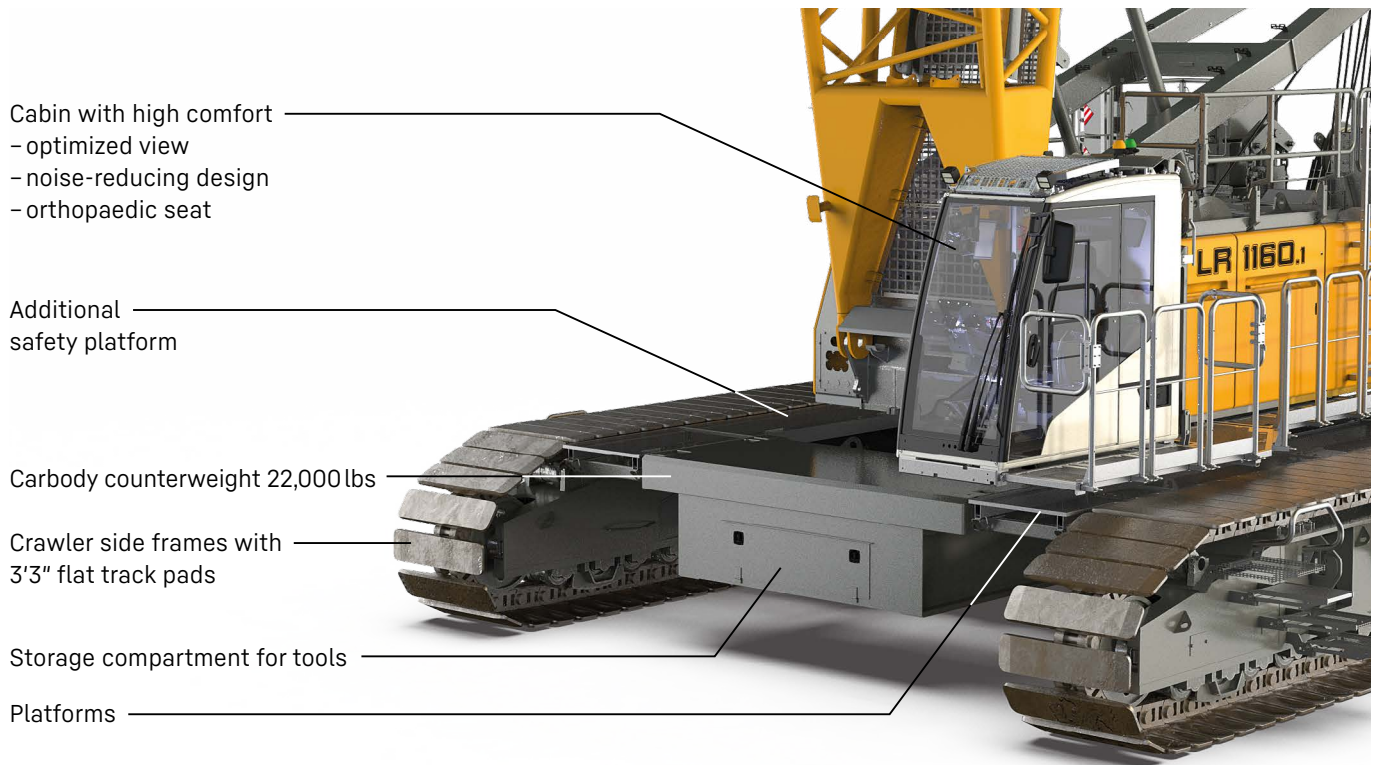
Concept and characteristics	3
Technical description	6
Dimensions	8
Transport dimensions and weights	9
Self-assembly system	14
Boom combinations	16
Main boom 2018.xx	18
Luffing jib 1309.xx	20
Luffing jib 1713.xx	25
Fixed jib 1008.xx	30
Fixed jib 0806.xx	33

Remarks

- The load capacities stated are valid for lifting operation only (corresponding with crane classification according to ISO 4301-1, crane group A1).
- Machine is standing on firm, horizontal ground.
- The weight of the lifting device (pulley block, hoist ropes, shackles, etc.) must be deducted from the load capacity.
- Additional equipment on boom (e.g. walkways) must be deducted from the load capacity.
- The max. admissible wind speed can be preselected in the LML software and referred to in the load chart.
- Working radii are measured from centre of swing ring and under load.
- The lifting capacities are valid for 360 degrees of swing.
- Calculation of stability under load is based on ANSI/ASME B 30.5 load ratings as well as ISO 4305 Table 2 and tested according to SAE J765 and SAE J987.
- Weights may vary depending on the delivered configuration of the machine, filling level of the tanks, as well as generally valid tolerances.
- The illustrations in this brochure may include options which are not within the standard scope of supply of the machine.

Concept and characteristics





High performance

A strong, efficient and reliable diesel engine of the newest generation provides high performance and enables several movements to be carried out simultaneously.

Ground pressure

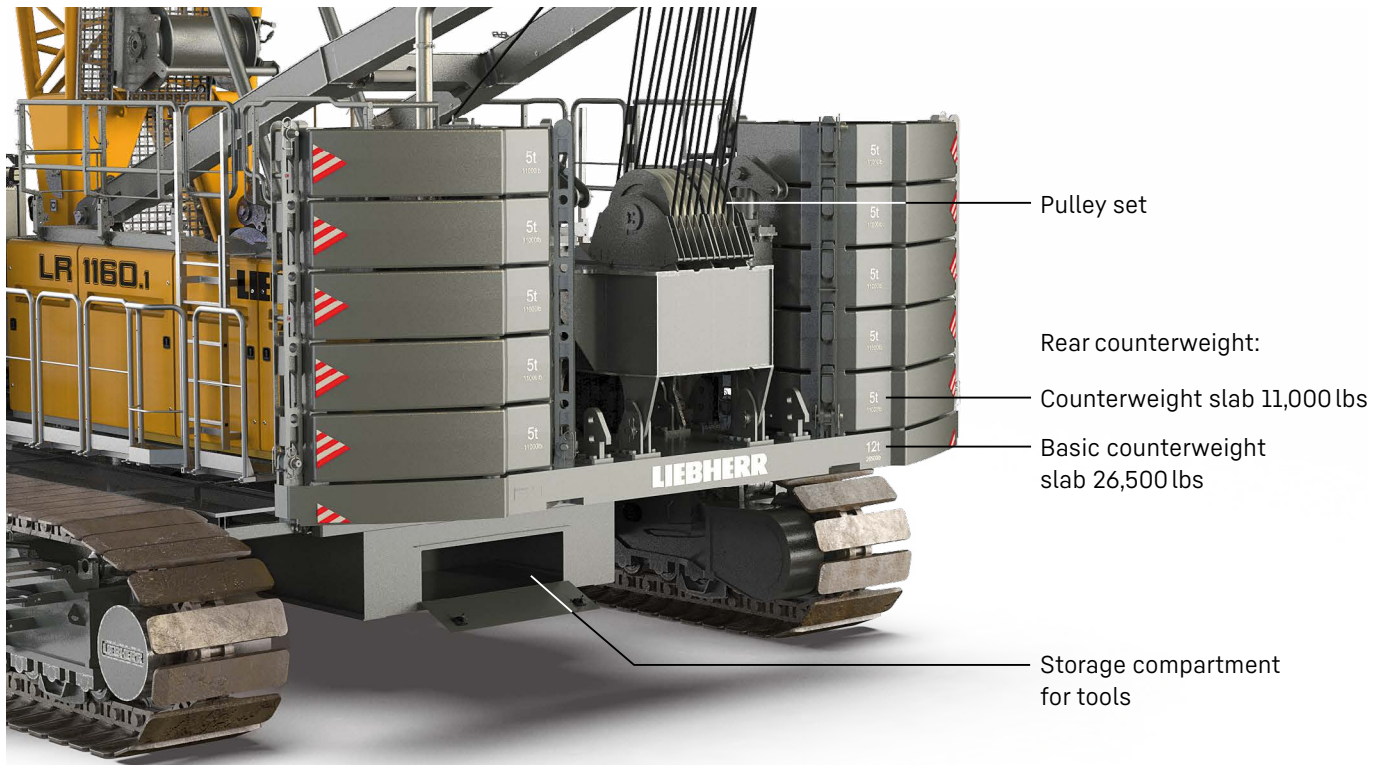
The actual ground pressure is calculated according to the configuration and position of the machine and displayed in the operator's cabin. Using the optional Liebherr Crane Planner the actual ground pressure can already be calculated and displayed in the planning stage.

Cabin with high comfort

Optimised field of vision combined with enhanced comfort: an orthopaedic operator's seat with heating and cooling functions, as well as precise and ergonomic controls are included.

Control system

Easy and intuitive handling of control, service and machine functions through a large, clear colour monitor. Built for extreme environmental conditions.



Pulley set

Rear counterweight:

Counterweight slab 11,000 lbs

Basic counterweight slab 26,500 lbs

Storage compartment for tools

Efficient self-assembly system and short assembly times

The self-assembly system enables safe, independent and quick assembly/disassembly of the crawler side frames, the carbody and rear counterweights, as well as boom elements.

Mobility

Crane parts are optimized for transportation. The maximum transport width is 9.84 ft.

Easy service

The design ensures easy maintenance and service as well as safe access to the components.

Boom/jib

A variety of boom systems and configurations allow for optimum operation on the most diverse jobsites.

Technical description



Diesel engine

Power rating according to ISO 9249	230 kW (308 hp) at 1700 rpm
Engine type	Liebherr D 944 A7-04
Fuel tank capacity	209 gal with continuous level indicator and reserve warning
Exhaust certification	97/68 EC Stage IV; EPA/CARB Tier 4f 97/68 EC Stage V; EPA/CARB Tier 4f ECE-R.96 Power Band H non-certified emission standard



Noise measurement data and vibration

Noise emission	according to 2000/14/EC directive	
Emission sound pressure level L_{PA}	69.9 dB(A)	(in the cabin)
Guaranteed sound power level L_{WA}	105 dB(A)	(of the machine)
Vibration transmitted to the machine operator	< 8.20 ft/s ²	(to the hand-arm system)
	< 1.64 ft/s ²	(to the whole body)



Hydraulic system

Hydraulic pumps	double axial displacement pump in open loop hydraulic system allows all functions to be operated simultaneously automatic working pressure cut-off to minimize peak pressure
Hydraulic oil tank capacity	172 gal
Max. working pressure	5,076 PSI
Hydraulic oil	electronic monitoring of alle filters use of synthetic environmentally friendly oil



Control

Control system	includes all control and monitoring functions, designed to withstand extreme environmental conditions and heavy construction tasks
Display	high resolution monitor in the operator's cabin, clear display of complete machine operating data, warnings and failure indications in the required language
Operation	several movements can be performed simultaneously thanks to electro-hydraulic proportional control, all categories of loads can be positioned with utmost precision



Crawlers

Drive system	with fixed axial piston hydraulic motors
Crawler side frames	maintenance-free, with hydraulic chain tensioning device
Brake	hydraulically released, spring-loaded multi-disc holding brake
Drive speed	0-0.932 mph
Flat track pads	width 3.3 ft



Swing gear

Drive system	with fixed axial piston hydraulic motors, planetary gearbox, pinion
Swing ring	roller bearing with external teeth
Brake	hydraulically released, spring-loaded multi-disc holding brake
Swing speed	0-3 rpm continuously variable
Speed control	both swing modes are possible - speed control or free swing for speed control: a multi-disc holding brake locks automatically at zero swing motion.



Hoisting gear

Standard crane winches 1+2	Internal low-maintenance planetary gearbox in oil bath, load support by the hydraulic system, spring-loaded, multi-disc holding brake, pressure controlled, variable flow hydraulic motors for the main winches, full utilisation of engine power as the winch speed is automatically adjusted to suit the respective line pull
Line pull in the 7th layer	26,977 lbf
Rope diameter	26 mm
Drum diameter	1.9 ft
Rope speed	0-446 ft/min
Rope capacity in 7 layers	1604 ft
Option - winch with free fall	Free fall: clutch and braking functions are provided by the service brake (low wear and maintenance-free multi-disc brake in compact design)



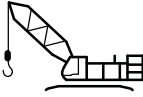




Boom/jib luffing winches

Main boom	
Line pull	max. 40,466 lbf
Rope diameter	24 mm
Boom luffing	15-86° in 119 s
Jib	
Line pull	max. 23,605 lbf
Rope diameter	20 mm
Jib luffing	15-78° in 46 s

Operating weight

Composition of operating weight	basic machine with crawlers winches 1+2, A-frame 56 ft main boom, consisting of boom foot (23 ft), boom head (23 ft) and boom section (20 ft) 137,400 lbs rear counterweight (10 × 11,000 lbs + 1 × 26,500 lbs + 660 lbs) 44,100 lbs carbody counterweight (2 × 22,000 lbs) 352,700 lbs pulley block
Total weight	approx. 368,172 lbs

Operation modes

	 Lifting mode	 Grab mode	 Personnel lifting mode
 Land	✓	✓	✓
 Floating structure (barge operation)	✓	✓	✓*

* only valid for jack-up barges

Optional equipment

Basic machine

Main winches 26,455 lbs with free fall
Painting in customer design
Load hook 27,560 / 88,100 / 176,300 / 220,400 / 352,700 lbs

Economy and ecology

Eco-Silent Package
Aux. power unit (APU, 2.8 kW)

Boom/jib

Luffing jib: luffing winch

Boom/jib other

Walkway for main boom foot, incl. fall protection
Walkway for main boom head, incl. fall protection
Rope guide for main boom walkway, incl. fall protection
Additional fall protection harness for 1 person
Walkways for main boom sections 10 / 20 / 40 ft
Walkways for main boom sections 10 / 20 / 40 ft, incl. fall protection

Application packages

Operation mode: personnel lifting (O)
Operation mode: barge operation (O)
Operation mode: foundation work (O)
Operation mode: wind speed pre-selection (S)
Operation mode: travelling with load (S)
Winch synchronization
Radio remote control
Rope reeving function via radio remote control
Assembly radio remote control
Use of luffing jib winch as auxiliary winch
Tagline winch 4,409 lbf free fall
Main winch constant tension for one winch
Two hook operation

Special features

Crane Planner 2.0
LiDAT

Self-assembly system

Jack-up system standard / telescopic
Self-assembly system counterweight
Self-assembly cylinder
Reeving winch
Track shifting hydraulic

Service package

Refuelling pump diesel / AdBlue
Cold package -25 °C / -40 °C
Hydraulic oil bypass filter
Central lubrication swing ring bearings / outside
Liebherr hydraulic oil plus (longlife & bio)
Liebherr hydraulic oil plus arctic (longlife & bio)
Liebherr hydraulic oil plus arctic (longlife)

Safety features

Assistance system: Boom Up-and-Down Assistant
Assistance system: Horizontal Load Path
Assistance system: Vertical Line Finder
Assistance system: Ground Pressure Indication and Visualization
Rear and side view cameras
Winch camera
Zoom camera at boom head
Safety upgrade APAVE
Platforms and railings on uppercarriage 1.9 ft
Additional access ladder for boom assembly
Railings on rooftop foldable
Railings for cabin platform
Vandalism cabin protection
Cabin protection roof, FOPS level 1
Lifting height indication for both hoist winches
Plug&Play diesel-hydraulic back-up unit 18.4 kW
Swing and boom radius limit device
Aircraft warning light
Swing warning light
Lightning rod
Mechanical angle display
Air intake shut-off valve
Access control

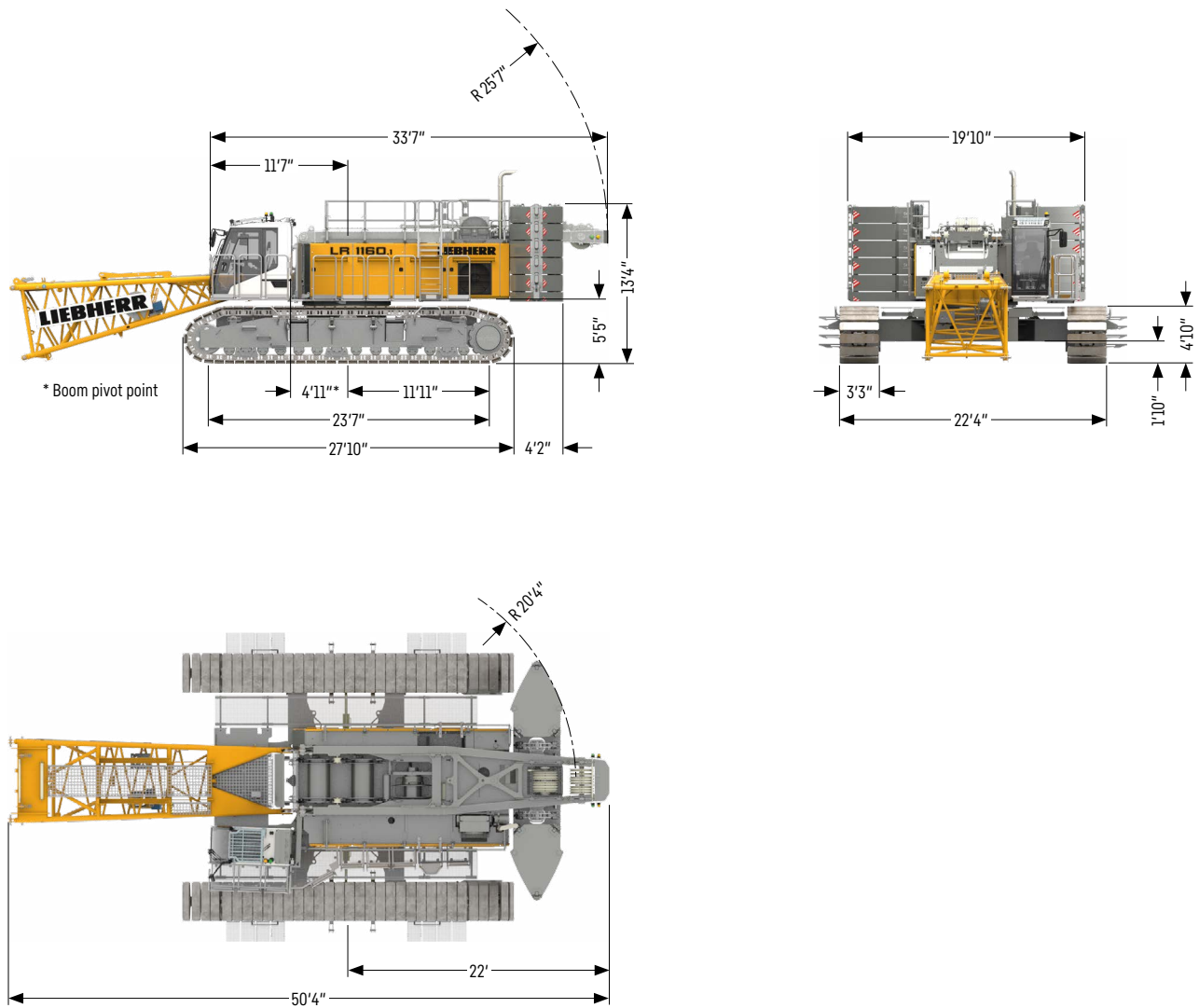
Operator's comfort

Additional access ladder
Additional floodlights
Cabin air conditioner
Cabin tilting device hydraulic
Gear oil level warning
Litronic additional language

(S) standard, (O) option

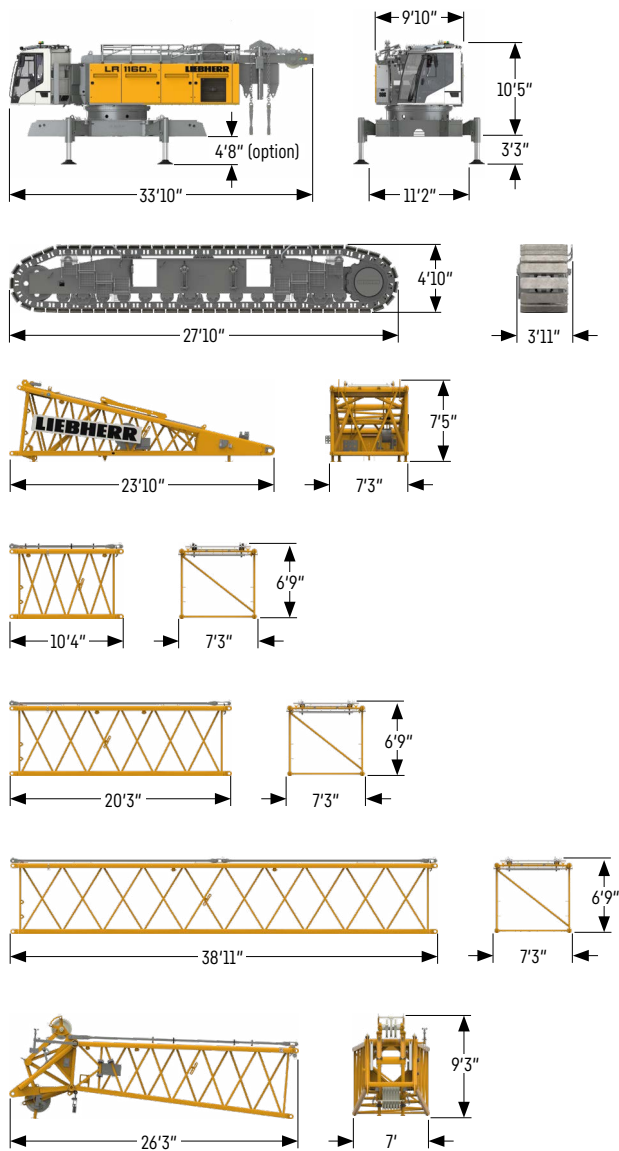
Dimensions

Basic machine with undercarriage



Transport dimensions and weights

Basic machine and main boom 2018.xx



Basic machine

Weight without hoist rope	lbs	77,162
Weight of hoist ropes	lbs/ft	2.28
with A-frame 1, winches 1 + 2 (2x 26,977 lbf), without boom foot, without rear counterweight, without carbody counterweight and crawler side frames		

Crawler side frame

Weight flat track pads 3.3 ft	lbs	38,576
-------------------------------	-----	--------

Boom foot 23 ft (No. 2018.23)

Weight including winch	lbs	8,966
Weight without winch	lbs	5,919

Boom section 10 ft (No. 2018.20)

Weight including boom pendants	lbs	1,559
Weight including boom and jib pendants	lbs	1,700

Boom section 20 ft (No. 2018.20)

Weight including boom pendants	lbs	2,229
Weight including boom and jib pendants	lbs	2,471

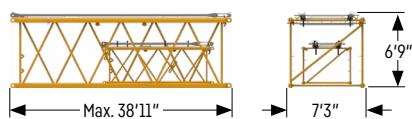
Boom section 38 ft (No. 2018.20)

Weight including boom pendants	lbs	3,728
Weight including boom and jib pendants	lbs	4,200

Boom head 23 ft (No. 2018.20)

Weight including boom pendants	lbs	5,300
--------------------------------	-----	-------

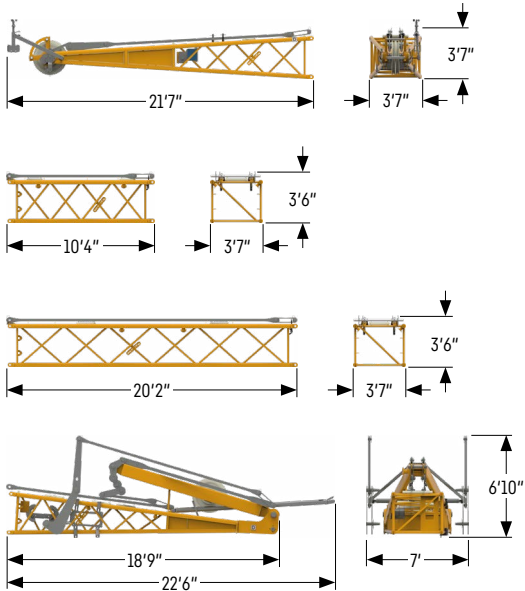
Transport option 2018.xx / 1309.xx



Transport option (No. 2018.xx/1309.xx)

No. 2018.xx/1309.xx	ft	20 / 20	38 / 38
Weight including pendants	lbs	3,571	6,305

Fixed jib 1008.xx



Jib head 18 ft (No. 1008.20)

Weight including pendants	lbs 1,925
---------------------------	-----------

Jib section 10 ft (No. 1008.17)

Weight including pendants	lbs 589
---------------------------	---------

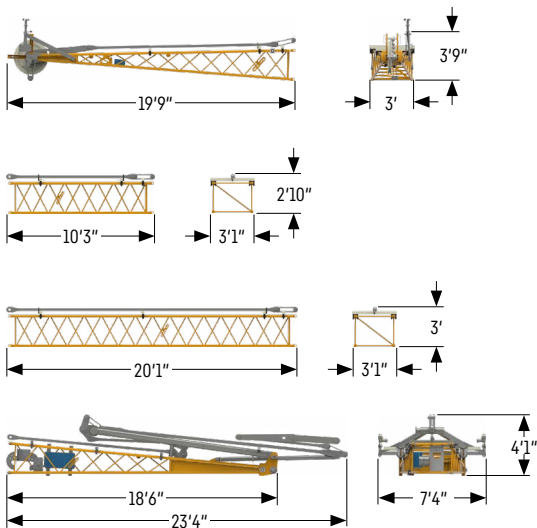
Jib section 20 ft (No. 1008.17)

Weight including pendants	lbs 988
---------------------------	---------

Jib foot 18 ft with A-frame (No. 1008.20)

Weight including pendants	lbs 4,537
---------------------------	-----------

Fixed jib 0806.xx



Jib head 18 ft (No. 0806.16)

Weight including pendants	lbs 974
---------------------------	---------

Jib section 10 ft (No. 0806.15)

Weight including pendants	lbs 311
---------------------------	---------

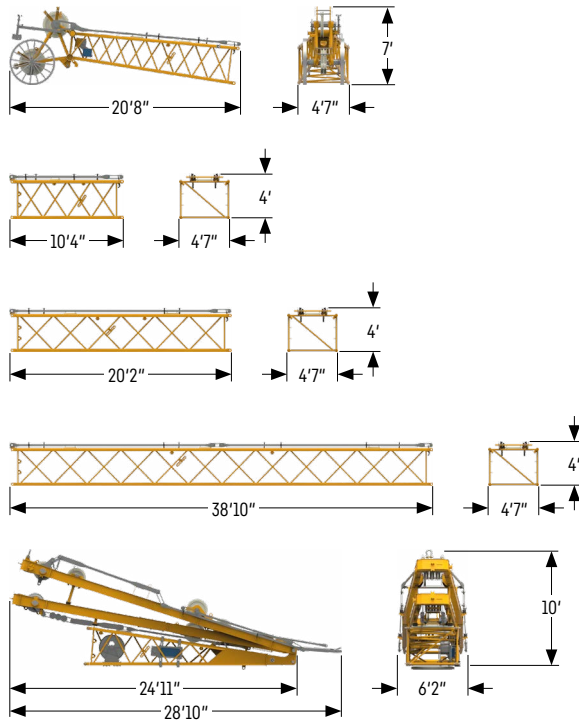
Jib section 20 ft (No. 0806.15)

Weight including pendants	lbs 549
---------------------------	---------

Jib foot 18 ft with A-frame (No. 0806.16)

Weight including pendants	lbs 2,374
---------------------------	-----------

Luffing jib 1309.xx



Jib head 18 ft (No. 1309.22)

Weight including pendants	lbs 2,485
---------------------------	-----------

Jib section 10 ft (No. 1309.20)

Weight including pendants	lbs 677
---------------------------	---------

Jib section 20 ft (No. 1309.20)

Weight including pendants	lbs 1,127
---------------------------	-----------

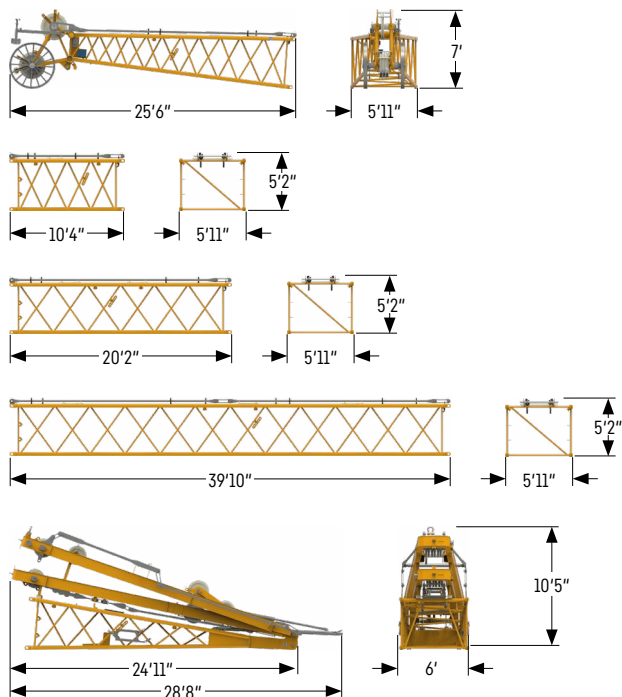
Jib section 38 ft (No. 1309.20)

Weight including pendants	lbs 2,075
---------------------------	-----------

Jib foot 18 ft with A-frames 2 + 3 (No. 1309.22)

Weight including pendants	lbs 9,905
---------------------------	-----------

Luffing jib 1713.xx



Jib head 23 ft (No. 1713.21)

Weight including pendants	lbs 3,034
---------------------------	-----------

Jib section 10 ft (No. 1713.18)

Weight including pendants	lbs 869
---------------------------	---------

Jib section 20 ft (No. 1713.18)

Weight including pendants	lbs 1,376
---------------------------	-----------

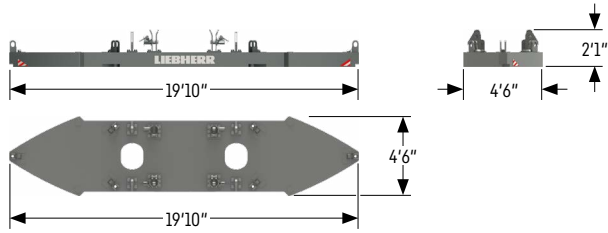
Jib section 40 ft (No. 1713.18)

Weight including pendants	lbs 2,474
---------------------------	-----------

Jib foot 23 ft with A-frames 2 + 3 (No. 1713.22)

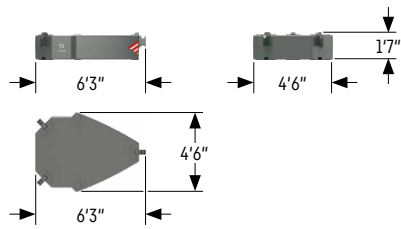
Weight including pendants	lbs 10,465
---------------------------	------------

Counterweight



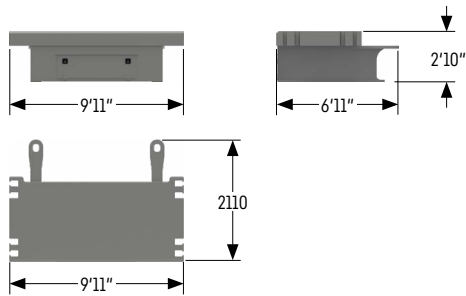
Basic counterweight slab without tie-down (1x)

Weight	lbs 26,500
--------	------------



Counterweight slab (10x)

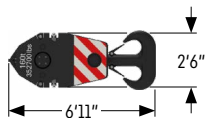
Weight	lbs 11,000
--------	------------



Carbody counterweight (2x)

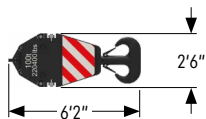
Weight	lbs 22,000
--------	------------

Pulley block with additional weights / load hooks



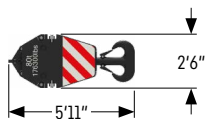
352,700 lbs pulley block - 7 pulleys

Width	2'11"
Weight	lbs 3,307 / 4,960 / 6,614



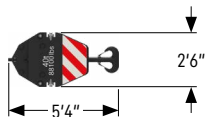
220,400 lbs pulley block - 5 pulleys

Width	2'5"
Weight	lbs 2,866 / 3,968 / 5,071



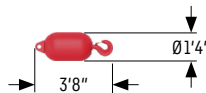
176,300 lbs pulley block - 3 pulleys

Width	1'10"
Weight	lbs 2,205 / 3,307 / 4,409



88,100 lbs pulley block - 1 pulley

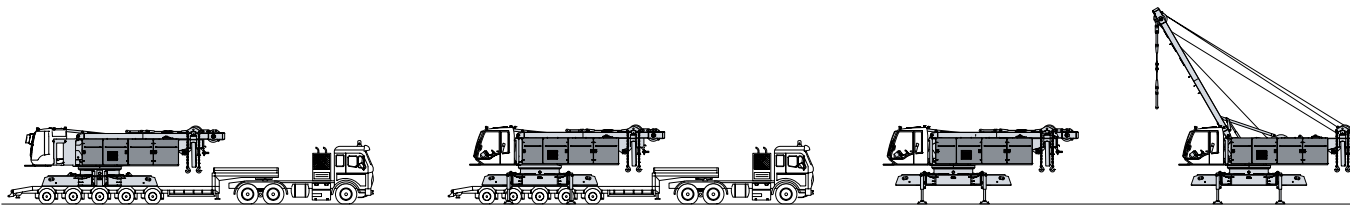
Width	1'7"
Weight	lbs 1,543 / 2,425 / 3,307



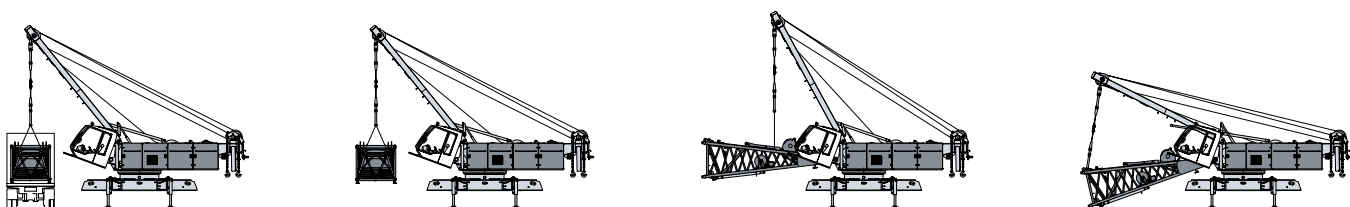
27,560 lbs load hook

Weight	lbs 1,323
--------	-----------

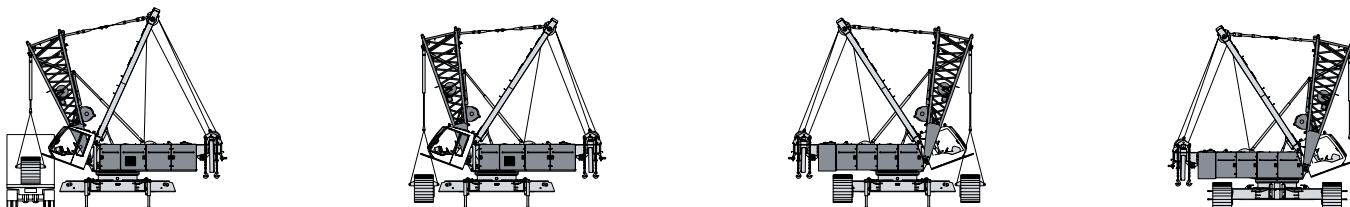
Self-assembly system



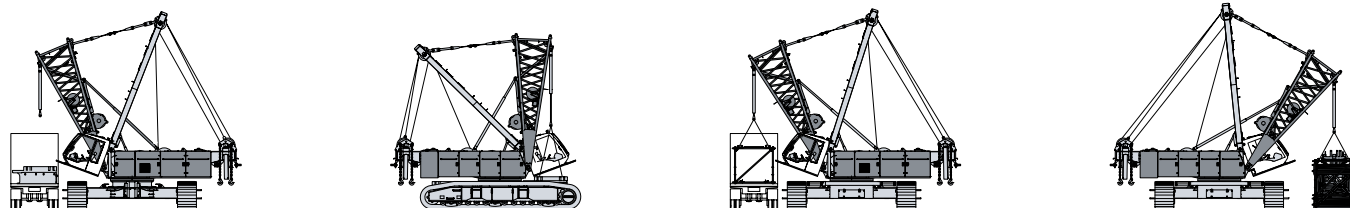
Unloading of basic machine



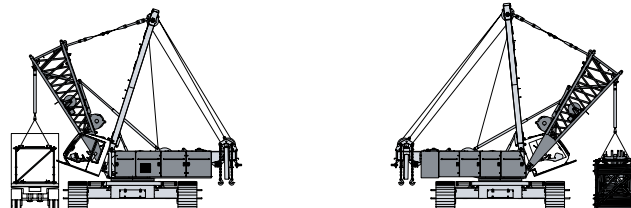
Unloading and assembly of boom foot



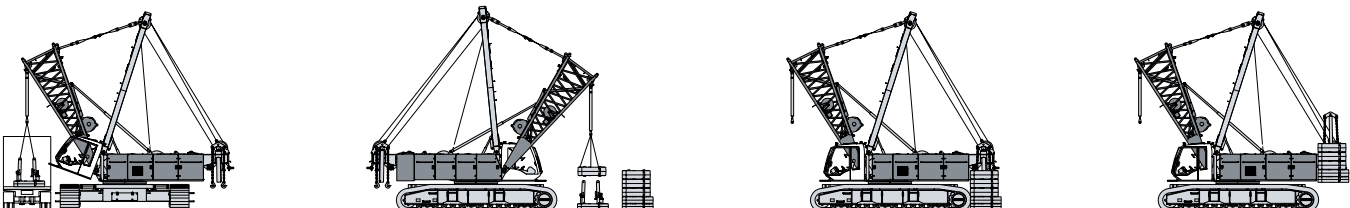
Unloading and assembly of crawler side frames



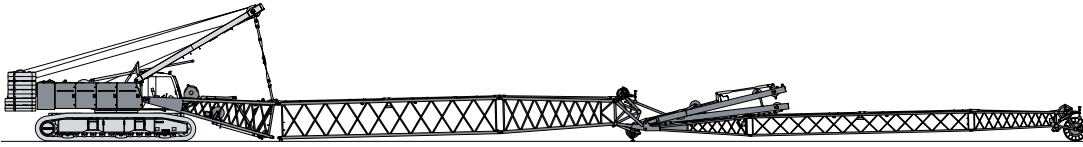
Unloading and assembly of carbody counterweight



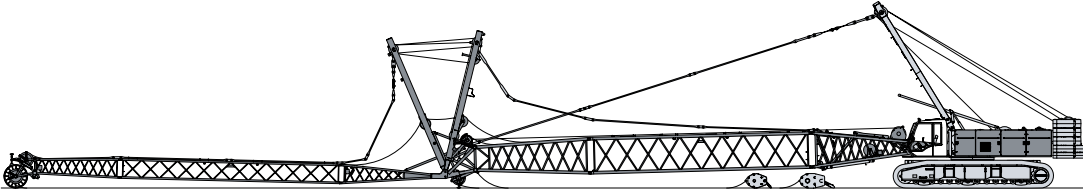
Unloading and assembly of boom



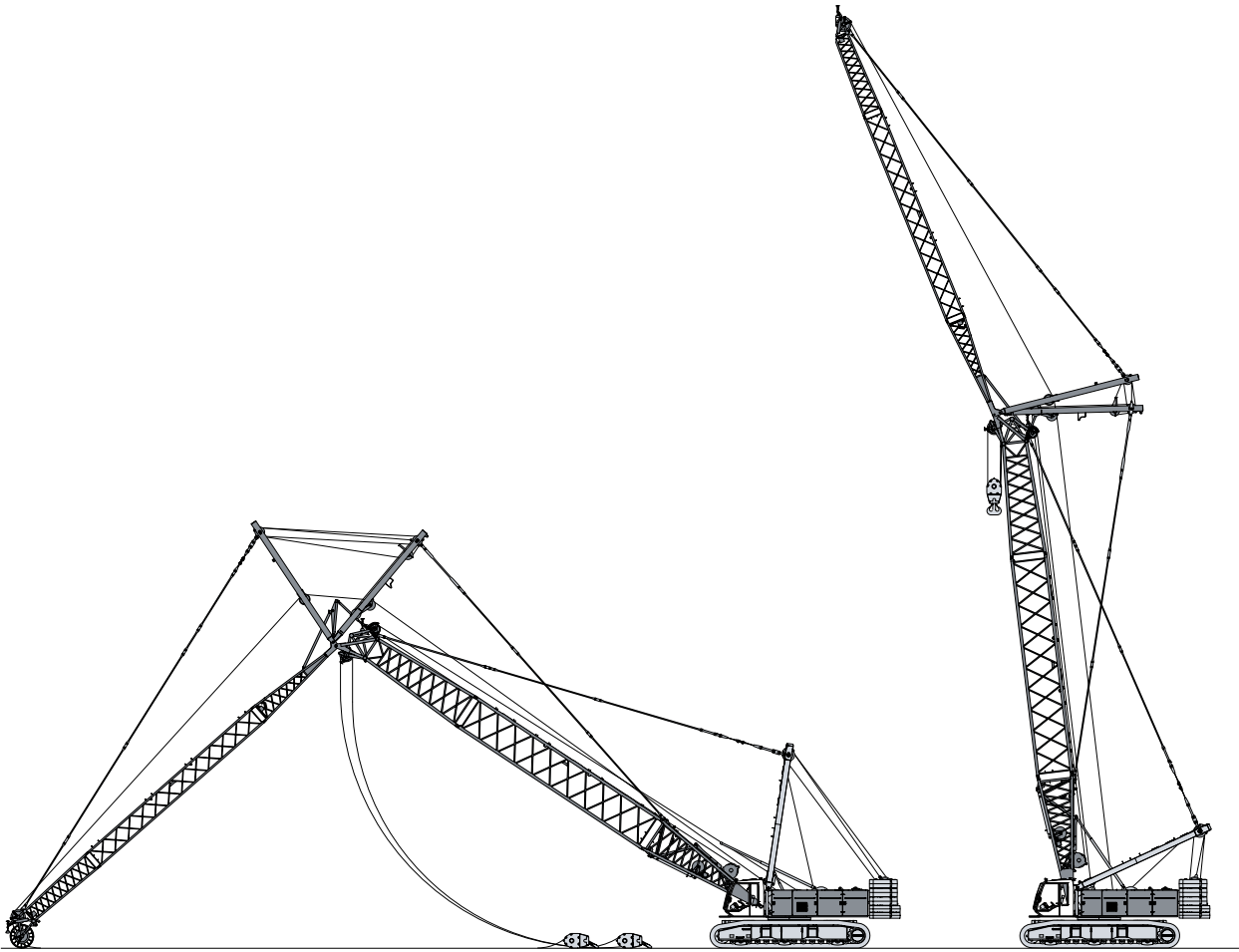
Unloading and assembly of rear counterweight



Assembly of boom

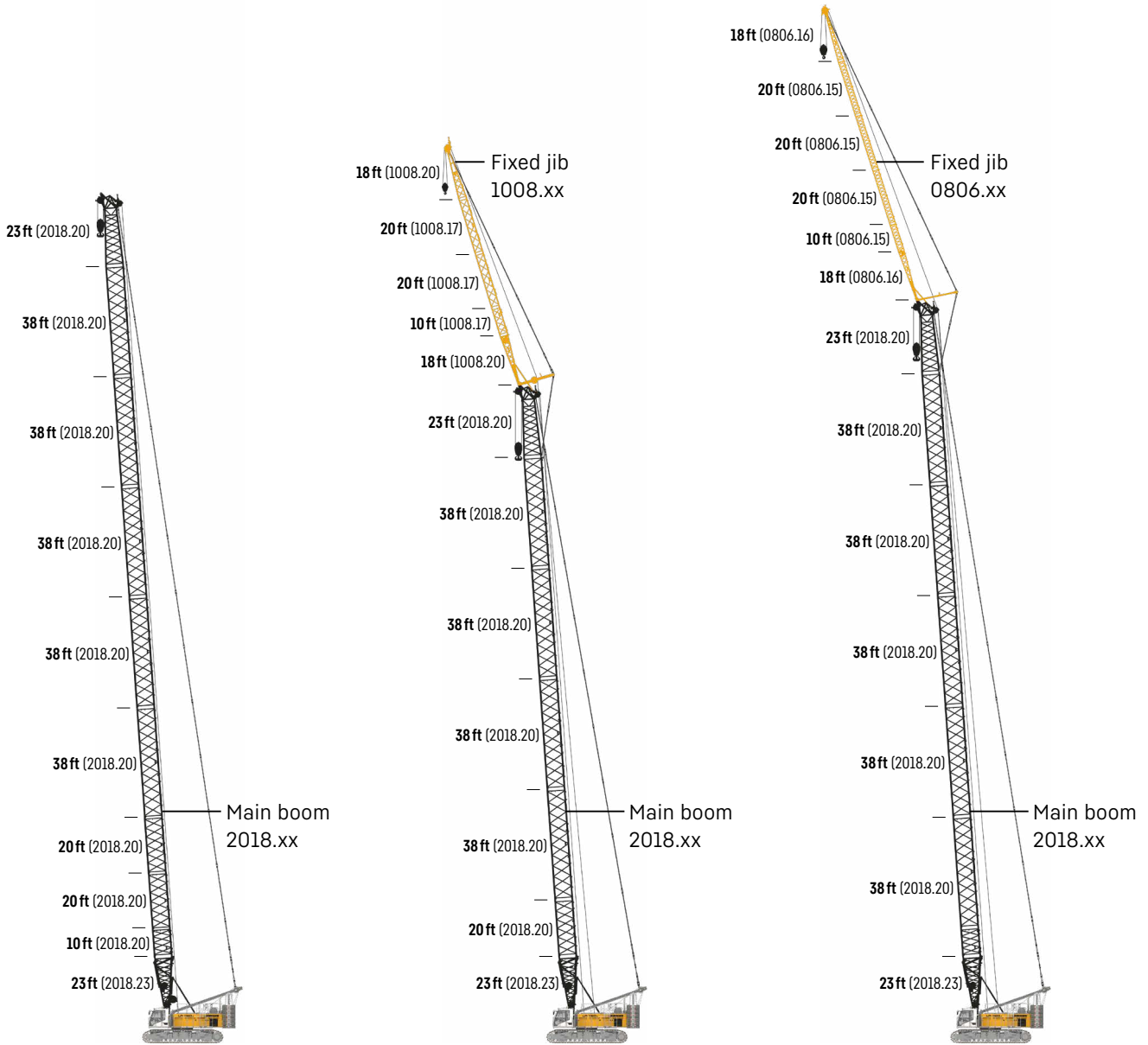


Reeving of hoist and luffing jib ropes



Erecting of main boom and luffing jib

Boom combinations



Main boom

Mode 1	
Max. length	
2018.xx	ft 287

Further information on page 18.

Main boom + fixed jib

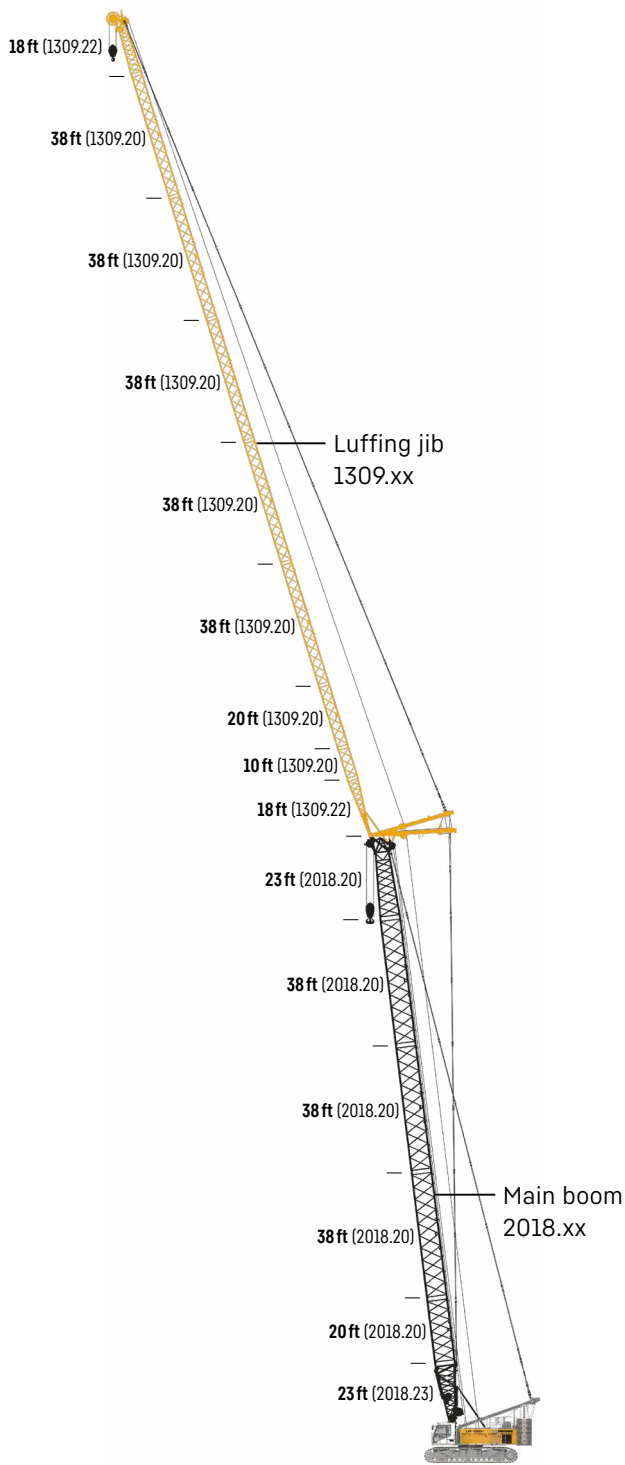
Mode 3		
Max. combination		
2018.xx	ft 219	229
1008.xx	ft 85	66
Total length	ft 304	295

Further information on page 30.

Main boom + fixed jib

Mode 3		
Max. combination		
2018.xx	ft 248	258
0806.xx	ft 105	85
Total length	ft 353	343

Further information on page 33.



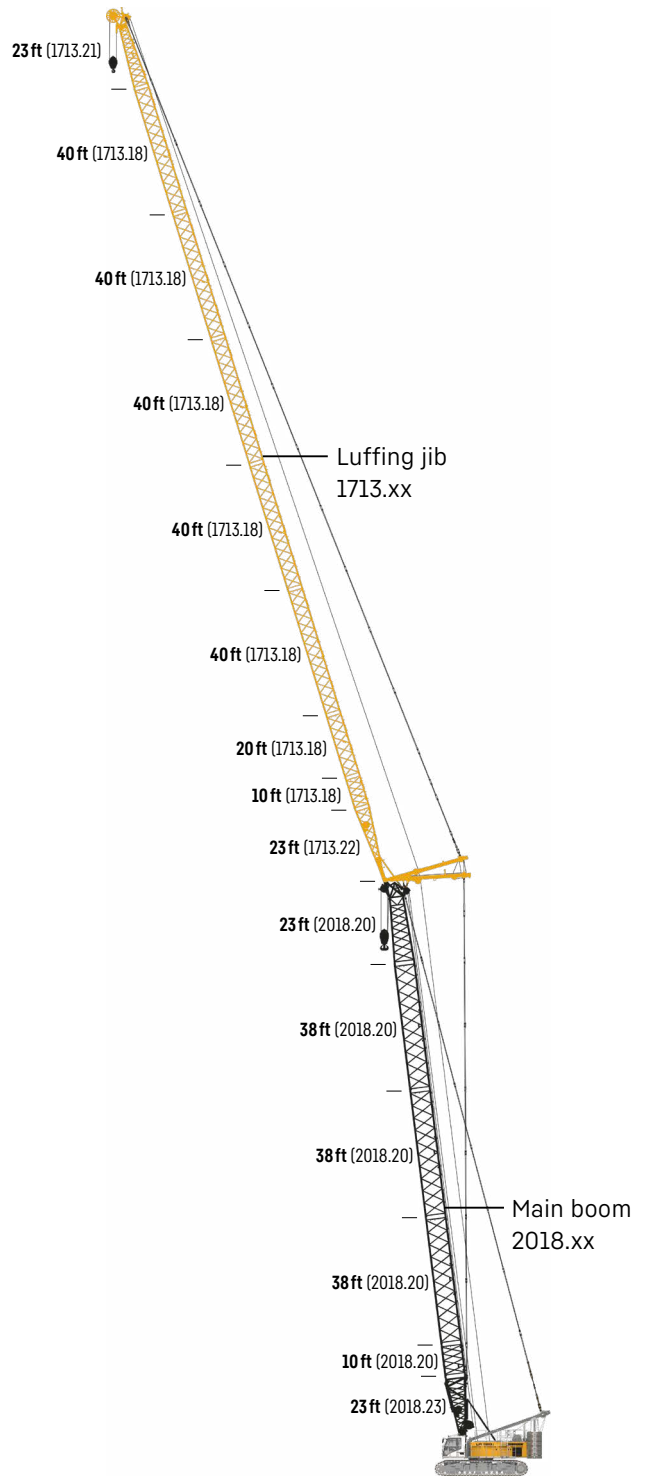
Main boom + luffing jib

Mode 4

Max. combination

2018.xx	ft	181	191
1309.xx	ft	258	219
Total length	ft	439	410

Further information on page 20.



Main boom + luffing jib

Mode 4

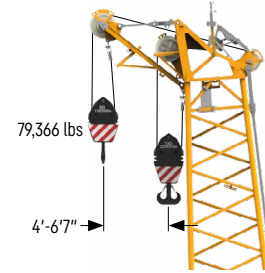
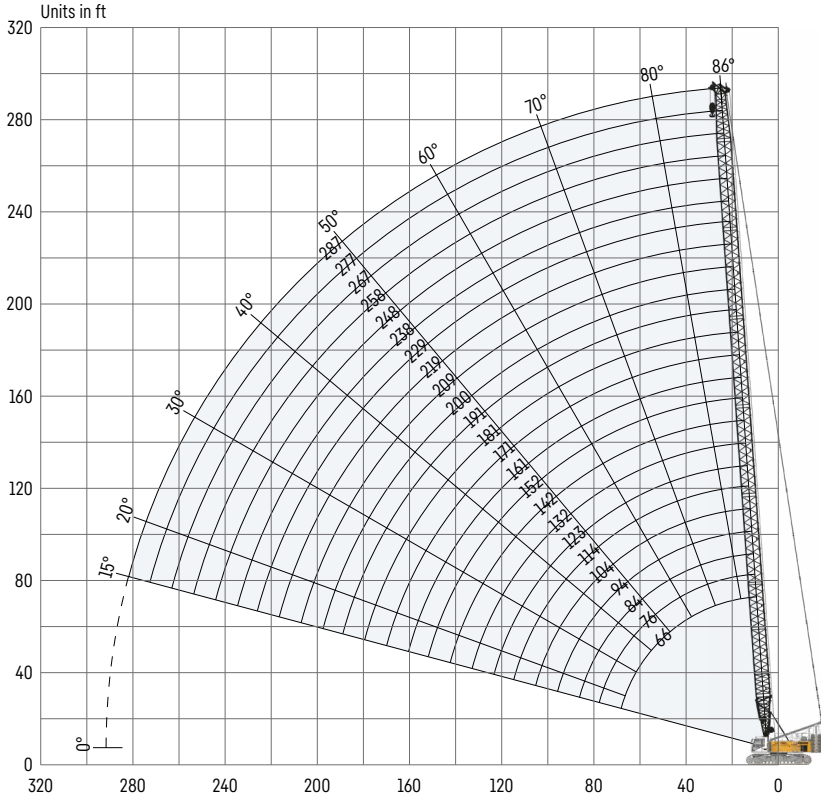
Max. combination

2018.xx	ft	171	181
1713.xx	ft	272	223
Total length	ft	443	404

Further information on page 25.

Main boom 2018.xx

Boom lengths 66-287 ft



Auxiliary jib 79,366 lbs (option)

The maximum capacity of the auxiliary jib is 79,366 lbs. The corresponding load chart is programmed in the LML system.

Main boom configuration 2018.xx

Boom section	Amount of boom sections												
	1	1	1	1	1	1	1	1	1	1	1	1	1
Boom foot 23 ft	1	1	1	1	1	1	1	1	1	1	1	1	1
Boom section 10 ft		1		1	1	1		1		1		1	1
Boom section 20 ft	1	1			1	1			1	1			
Boom section 38 ft			1	1	1	1	2	2	2	2	3	3	
Boom head 23 ft	1	1	1	1	1	1	1	1	1	1	1	1	1
Boom length [ft]	66	76	84	94	104	114	123	132	142	152	161	171	
Auxiliary jib	✓	✓	✓	✓	✓	✓	✓	✓	✓	✓	✓	✓	✓
Boom foot 23 ft	1	1	1	1	1	1	1	1	1	1	1	1	1
Boom section 10 ft		1		1	1	1		1		1		1	1
Boom section 20 ft	1	1			1	1			1	1		2	2
Boom section 38 ft	3	3	4	4	4	4	5	5	5	5	5	5	5
Boom head 23 ft	1	1	1	1	1	1	1	1	1	1	1	1	1
Boom length [ft]	181	191	200	209	219	229	238	248	258	267	277	287	
Auxiliary jib	✓	✓	✓	✓	✓	✓	✓	✓	✓	✓	✓	✓	✓

Actual lengths of boom sections are metric (e.g. 3 m, 6 m). The figures shown above are approximate conversions to feet.

Load capacities with main boom

Load capacities in 1000 lbs with 137,400 lbs rear counterweight and 44,100 lbs carbody counterweight

Radius [ft]	Boom length [ft]											
	66	94	114	132	152	171	191	209	229	248	267	287
14.7		400.0*										
20	301.5	292.1	278.7	244.6	205.0							
30	201.4	201.7	201.6	193.8	176.8	160.1	133.5	106.5	89.6	76.3	63.2	53.1
50	97.4	97.5	97.2	97.0	96.6	96.2	95.8	92.2	80.1	70.8	57.8	48.8
55	85.8	85.8	85.5	85.3	84.8	84.5	84.0	83.6	76.5	70.0	56.7	47.6
65	68.6	68.8	68.5	68.3	67.8	67.4	66.9	66.4	65.9	63.1	53.5	45.5
70	26.6	62.4	62.1	61.9	61.4	61.0	60.5	60.0	59.5	59.0	51.7	44.1
80		52.3	52.1	51.8	51.3	50.9	50.3	49.9	49.3	48.8	48.2	41.6
85		48.3	48.0	47.7	47.3	46.8	46.3	45.8	45.2	44.7	44.1	40.6
95		41.5	41.3	41.1	40.6	40.2	39.6	39.1	38.5	38.0	37.4	36.8
100			38.5	38.3	37.8	37.4	36.8	36.3	35.7	35.2	34.6	34.0
110			33.7	33.5	33.1	32.6	32.1	31.6	31.0	30.4	29.8	29.2
115			31.6	31.5	31.0	30.6	30.0	29.5	28.9	28.4	27.8	27.1
125				27.9	27.5	27.0	26.6	26.1	25.5	25.0	24.3	23.7
130				26.4	26.0	25.6	25.0	24.5	23.9	23.4	22.8	22.1
140					23.2	22.8	22.3	21.8	21.2	20.6	20.0	19.4
145					21.9	21.6	21.0	20.5	19.9	19.4	18.8	18.1
155						19.3	18.8	18.3	17.7	17.2	16.6	15.9
160						18.3	17.8	17.3	16.7	16.2	15.6	14.9
170						16.5	16.0	15.5	14.9	14.4	13.7	13.1
175							15.1	14.7	14.1	13.6	12.9	12.3
185							13.6	13.2	12.6	12.0	11.4	10.7
190							12.9	12.5	11.9	11.3	10.7	10.1
200								11.1	10.6	10.1	9.4	8.8
205								10.5	10.0	9.5	8.8	8.2
215									8.9	8.4	7.7	7.1
220									8.3	7.8	7.2	6.6
230										6.9	6.3	5.6
235										6.4	5.8	5.2
245										5.5	5.0	4.3
250											4.6	3.9
260											3.8	3.2
265											3.4	2.8
275												2.1

* Load capacities over 308,650 lbs require a special heavy duty boom head.

TLT 11962422. Above load charts are for reference only. For actual lift duty please refer to load chart in operator's cabin or manual. Otherwise we recommend you to plan your lifting job using Crane Planner 2.0.

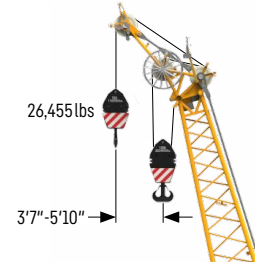
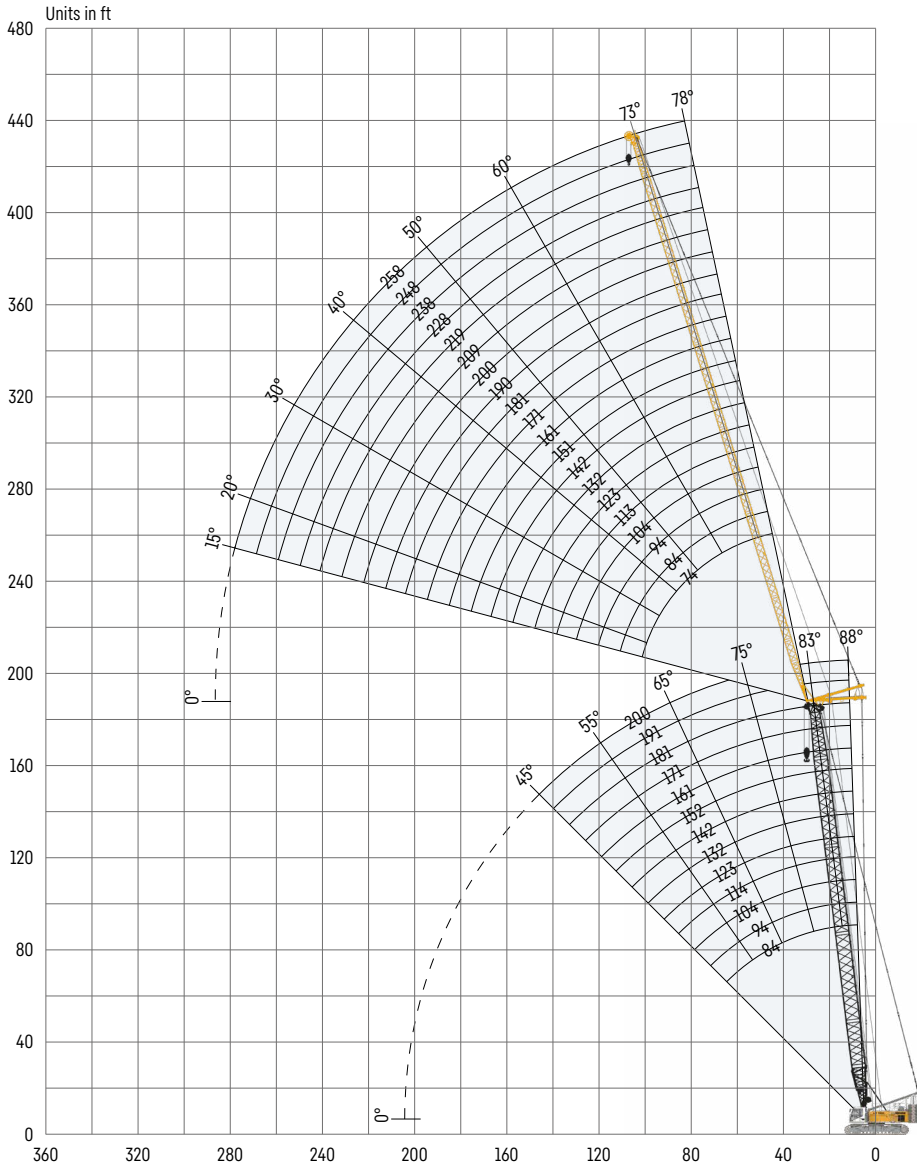


www.liebherr.com/CranePlanner

Crane Planner 2.0

Luffing jib 1309.xx

Jib lengths 74-258 ft



Auxiliary jib 26,455 lbs (option)
The maximum capacity of the auxiliary jib is 26,455 lbs.

Jib configuration 1309.xx

Jib section	Amount of jib sections																			
Jib foot 18 ft	1	1	1	1	1	1	1	1	1	1	1	1	1	1	1	1	1	1	1	1
Jib section 10 ft		1		1		1		1		1		1		1		1		1		1
Jib section 20 ft			1	1			1	1			1	1			1	1			1	1
Jib section 38 ft	1	1	1	1	2	2	2	2	3	3	3	3	4	4	4	4	5	5	5	5
Jib head 18 ft	1	1	1	1	1	1	1	1	1	1	1	1	1	1	1	1	1	1	1	1
Jib length [ft]	74	84	94	104	113	123	132	142	151	161	171	181	190	200	209	219	228	238	248	258
Auxiliary jib	✓	✓	✓	✓	✓	✓	✓	✓	✓	✓	✓	✓	✓	✓	✓	✓	✓	✓	✓	✓

Actual lengths of boom sections are metric (e.g. 3 m, 6 m). The figures shown above are approximate conversions to feet.
For main boom configuration please refer to the table on page 18.

Load capacities with luffing jib

Load capacities in 1000 lbs with 84 ft main boom 88°

Radius [ft]	Jib length [ft]					
	74	132	181	209	238	258
28.1	104.8					
50	84.2	54.7				
55	73.9	53.5	29.3			
60	66.4	52.6	28.5	20.6		
65	60.2	49.7	27.7	20.0	14.2	
70	55.0	47.4	27.0	19.6	13.8	10.5
80	46.1	42.7	25.9	18.6	13.0	9.7
140		21.9	19.3	14.9	10.1	6.9
185			13.7	13.1	8.8	5.7
210				10.4	8.2	5.3
240					6.5	4.9
260						4.6

137,400 lbs rear counterweight and 44,100 lbs carbody counterweight

Load capacities in 1000 lbs with 132 ft main boom 88°

Radius [ft]	Jib length [ft]					
	74	132	181	209	238	258
29.8	94.0					
50	78.2	45.9				
55	71.8	45.1	26.8			
60	66.8	44.5	26.2	18.8		
65	61.9	43.3	25.7	18.4	12.6	
70	56.9	41.9	25.1	18.1	12.5	9.6
85	26.6	37.4	23.6	17.0	11.6	9.0
140		22.6	18.9	14.1	9.6	6.6
185			14.1	12.9	8.4	5.5
215				10.2	7.7	5.0
240					6.6	4.8
260						4.6

137,400 lbs rear counterweight and 44,100 lbs carbody counterweight

Load capacities in 1000 lbs with 181 ft main boom 88°

Radius [ft]	Jib length [ft]					
	74	132	181	209	238	258
31.5	64.1					
50	56.4	35.3				
55	53.5	34.7	22.3			
60	50.8	33.8	22.1	16.3		
70	46.4	32.2	21.5	15.9	9.7	7.9
85	42.0	30.1	20.4	15.1	9.1	7.3
110		26.7	18.8	13.9	8.2	6.1
140		20.5	16.5	12.7	7.4	5.7
190			12.2	11.5	4.8	4.7
215				9.4	3.2	4.4
245					3.0	4.1
260						4.0

137,400 lbs rear counterweight and 44,100 lbs carbody counterweight

Load capacities in 1000 lbs with 191 ft main boom 88°

Radius [ft]	Jib length [ft]					
	74	113	132	171	200	219
31.9	58.9					
40	56.4	40.9				
50	52.4	39.4	33.3			
55	50.0	38.4	32.7	23.4		
60	47.5	37.4	31.9	23.0	14.8	
65	45.6	36.3	31.3	22.7	14.5	11.8
85	39.5	32.6	28.4	21.1	13.4	10.8
125		26.6	23.7	18.2	11.5	9.4
140			21.8	17.2	11.0	8.9
180				14.9	9.7	8.0
205					9.1	7.5
225						7.2

137,400 lbs rear counterweight and 44,100 lbs carbody counterweight

Load capacities in 1000 lbs with 200 ft main boom 88°

Radius [ft]	Jib length [ft]					
	74	94	113	132	151	161
32.2	54.1					
40	52.7	44.6				
50	49.1	42.0	36.5	27.3	23.7	
55	47.1	40.9	35.7	26.6	22.9	21.0
70	41.1	37.2	33.1	24.7	21.2	19.3
85	37.5	33.4	30.4	23.0	19.8	18.1
95		30.7	28.8	21.9	19.0	17.5
105		26.3	27.2	21.0	18.2	16.7
125			20.8	19.0	16.7	15.4
140				17.9	15.6	14.4
160					14.5	13.4
170						13.0

137,400 lbs rear counterweight and 44,100 lbs carbody counterweight

TLT 11962422. Above load charts are for reference only. For actual lift duty please refer to load chart in operator's cabin or manual. Otherwise we recommend you to plan your lifting job using Crane Planner 2.0.



www.liebherr.com/CranePlanner

Crane Planner 2.0

Load capacities with luffing jib

Load capacities in 1000 lbs with 84 ft main boom 83°

Radius [ft]	Jib length [ft]					
	74	132	181	209	238	258
41.9	104.9					
60	78.9	54.1				
75	57.7	49.2	27.3			
85	48.9	44.6	26.1	18.8		
90	44.6	41.4	25.5	18.4	12.7	
100		36.3	24.3	17.7	12.3	9.0
120		28.9	22.4	16.4	11.2	8.0
145		22.9	19.8	15.0	10.2	7.0
190			14.2	13.4	8.9	5.7
220				10.1	8.1	5.2
245					6.8	4.9
265						4.8

137,400 lbs rear counterweight and 44,100 lbs carbody counterweight

Load capacities in 1000 lbs with 132 ft main boom 83°

Radius [ft]	Jib length [ft]					
	74	132	181	209	238	258
47.8	90.1					
65	71.4	45.9				
80	55.4	43.2	24.9			
90	48.0	40.5	24.2	17.3		
100		36.8	23.3	16.7	11.5	
105		35.4	22.8	16.4	11.3	8.5
125		29.3	21.2	15.3	10.5	7.6
150		23.4	19.3	14.2	9.6	6.7
200			13.9	12.7	8.4	5.4
225				10.4	7.9	5.0
255					6.6	4.8
270						4.7

137,400 lbs rear counterweight and 44,100 lbs carbody counterweight

Load capacities in 1000 lbs with 181 ft main boom 83°

Radius [ft]	Jib length [ft]					
	74	132	181	209	238	258
53.7	59.9					
75	50.3	34.7				
85	46.6	33.5	21.2			
95	43.7	32.1	20.8	15.2		
105		30.3	20.2	14.8	9.2	
110		29.6	19.9	14.6	9.0	6.9
130		26.8	18.8	13.7	8.3	6.5
155		22.0	17.1	12.8	7.7	5.9
205			13.1	11.7	6.3	4.8
230				10.1	5.6	4.3
260					5.1	4.0
280						4.0

137,400 lbs rear counterweight and 44,100 lbs carbody counterweight

Load capacities in 1000 lbs with 191 ft main boom 83°

Radius [ft]	Jib length [ft]					
	74	132	171	190	200	219
54.9	54.7					
75	46.3	32.5				
85	43.1	31.1	22.1			
90	41.8	30.2	21.9	18.2		
95	40.6	29.5	21.6	18.1	14.3	
100	39.3	28.7	21.2	17.9	14.0	11.3
125		25.6	19.6	16.9	12.7	10.3
160		21.8	17.5	15.1	11.6	9.3
195			15.2	13.3	10.7	8.6
215				12.0	10.3	8.2
225					10.2	8.1
240						8.0

137,400 lbs rear counterweight and 44,100 lbs carbody counterweight

Load capacities in 1000 lbs with 200 ft main boom 83°

Radius [ft]	Jib length [ft]					
	74	94	113	132	151	161
55.9	50.3					
65	47.1	42.1				
70	45.3	40.8	36.2			
75	43.1	39.1	35.1	27.1		
80	41.5	37.8	34.0	26.6	22.6	
85	40.0	36.3	32.9	26.0	22.2	20.3
105	26.6	32.1	29.2	23.7	20.6	18.7
120		28.6	27.0	22.2	19.4	17.8
140			23.9	20.2	18.0	16.6
160				18.6	16.7	15.4
180					15.5	14.5
185						14.2

137,400 lbs rear counterweight and 44,100 lbs carbody counterweight

TLT 11962422. Above load charts are for reference only. For actual lift duty please refer to load chart in operator's cabin or manual. Otherwise we recommend you to plan your lifting job using Crane Planner 2.0.



www.liebherr.com/CranePlanner

Crane Planner 2.0

Load capacities with luffing jib

Load capacities in 1000 lbs with 84 ft main boom 75°

Radius [ft]	Jib length [ft]					
	74	132	181	209	238	258
63.2	53.0					
90	46.9	45.7				
110		35.7	24.2			
125		30.5	22.8	16.6		
135		27.3	21.9	15.9	10.9	
145		25.4	21.1	15.4	10.6	7.3
155		23.3	19.9	14.9	10.2	6.9
180			16.9	13.9	9.4	6.2
205			13.8	12.8	8.8	5.6
230				10.4	8.2	5.2
260					6.8	5.0
280						4.9

137,400 lbs rear counterweight and 44,100 lbs carbody counterweight

Load capacities in 1000 lbs with 132 ft main boom 75°

Radius [ft]	Jib length [ft]					
	74	132	181	209	238	258
75.6	53.0					
105	36.9	35.5				
125		28.6	22.2			
135		26.0	21.5	15.3		
145		23.8	20.9	15.0	10.1	
155		21.8	20.3	14.5	9.9	6.9
170		19.3	18.3	13.9	9.4	6.5
190			15.6	13.4	8.9	5.9
215			13.0	12.4	8.5	5.4
245				10.0	7.9	5.0
270					6.9	4.8
290						4.7

137,400 lbs rear counterweight and 44,100 lbs carbody counterweight

Load capacities in 1000 lbs with 181 ft main boom 75°

Radius [ft]	Jib length [ft]					
	74	132	181	209	238	258
88.1	42.4					
115	30.7	29.2				
135		23.9	18.7			
150		20.9	18.2	13.4		
160		19.2	17.7	13.2	8.2	
170		17.7	16.5	12.9	8.1	6.1
180		16.3	15.2	12.6	7.8	5.9
200			13.0	12.1	7.4	5.4
230			10.5	9.9	7.0	4.9
255				8.2	6.6	4.5
285					5.8	4.3
305						4.3

137,400 lbs rear counterweight and 44,100 lbs carbody counterweight

Load capacities in 1000 lbs with 191 ft main boom 75°

Radius [ft]	Jib length [ft]					
	74	132	151	181	209	219
90.7	40.3					
120	28.6	26.0				
125	27.2	25.4	22.2			
140		22.3	21.4	17.0		
150		20.4	20.0	16.6	11.7	
155		19.6	19.1	16.3	11.7	10.3
170		17.3	16.9	15.5	11.2	10.0
185		15.4	15.0	14.3	10.8	9.6
205			12.9	12.2	10.2	9.2
230				10.2	9.4	8.5
260					7.7	7.4
270						6.9

137,400 lbs rear counterweight and 44,100 lbs carbody counterweight

Load capacities in 1000 lbs with 200 ft main boom 75°

Radius [ft]	Jib length [ft]					
	74	104	132	142	151	161
93	37.5					
110	31.3	29.5				
120	28.2	27.4	21.5			
125	26.8	26.0	21.4	19.8		
130	25.5	24.8	20.7	19.6	18.5	16.9
140		22.6	19.7	18.7	17.8	16.5
150		20.7	18.8	17.8	17.0	15.9
160		19.0	17.8	17.0	16.3	15.2
185			15.1	14.8	14.6	13.7
195				13.8	13.6	13.2
205					12.6	12.4
215						11.5

137,400 lbs rear counterweight and 44,100 lbs carbody counterweight

TLT 11962422. Above load charts are for reference only. For actual lift duty please refer to load chart in operator's cabin or manual. Otherwise we recommend you to plan your lifting job using Crane Planner 2.0.



www.liebherr.com/CranePlanner

Crane Planner 2.0

Load capacities with luffing jib

Load capacities in 1000 lbs with 84 ft main boom 65°

Radius [ft]	Jib length [ft]					
	74	132	181	209	238	258
88	45.7					
125		28.6				
150		22.7	21.3			
170		19.3	18.2	14.6		
185			16.2	14.0	9.4	
195			15.0	13.6	9.2	6.0
205			14.0	13.2	8.9	5.8
220			12.5	12.0	8.7	5.5
230				11.2	8.5	5.3
245				10.0	8.2	5.1
275					7.0	4.9
290						4.9

137,400 lbs rear counterweight and 44,100 lbs carbody counterweight

Load capacities in 1000 lbs with 132 ft main boom 65°

Radius [ft]	Jib length [ft]					
	74	132	181	209	238	258
108.4	32.0					
145		21.0				
170		17.0	15.7			
190		14.6	13.4	12.7		
205			11.9	11.3	8.7	
215			11.1	10.4	8.5	5.5
230			9.9	9.3	8.2	5.3
240			9.2	8.6	7.9	5.2
255				7.7	7.0	5.0
265				7.2	6.5	4.8
295					5.1	4.6
310						4.0

137,400 lbs rear counterweight and 44,100 lbs carbody counterweight

Load capacities in 1000 lbs with 171 ft main boom 65°

Radius [ft]	Jib length [ft]					
	74	132	181	209	238	258
124.6	24.1					
160		16.1				
190		12.6	11.3			
205		11.3	10.0	9.3		
220			8.9	8.2	7.1	
230			8.2	7.5	6.5	5.1
240			7.6	7.0	5.9	5.1
255			6.8	6.2	5.2	4.4
265				5.7	4.8	4.0
280				5.0	4.2	3.4
310					3.2	2.4
325						2.0

137,400 lbs rear counterweight and 44,100 lbs carbody counterweight

Load capacities in 1000 lbs with 181 ft main boom 65°

Radius [ft]	Jib length [ft]					
	74	132	181	209	238	258
128.8	22.4					
165		14.8				
190		12.1	10.7			
210		10.4	9.1	8.2		
225			8.1	7.3	6.0	
235			7.5	6.7	5.5	4.6
245			6.9	6.2	5.0	4.2
260			6.1	5.5	4.4	3.5
270				5.0	4.0	3.1
285				4.4	3.4	2.6
305					2.8	2.0
315					2.6	

137,400 lbs rear counterweight and 44,100 lbs carbody counterweight

Load capacities in 1000 lbs with 191 ft main boom 65°

Radius [ft]	Jib length [ft]					
	74	132	161	190	209	219
132.9	20.7					
150	17.7					
170		13.5				
185		11.9	11.1			
200		10.6	9.8	9.0		
215		9.5	8.7	8.0	7.1	
220			8.4	7.7	6.8	6.3
235			7.5	6.8	6.0	5.5
245			6.9	6.3	5.5	5.1
270				5.1	4.5	4.1
290					3.8	3.4
300						3.1

137,400 lbs rear counterweight and 44,100 lbs carbody counterweight

TLT 11962422. Above load charts are for reference only. For actual lift duty please refer to load chart in operator's cabin or manual. Otherwise we recommend you to plan your lifting job using Crane Planner 2.0.

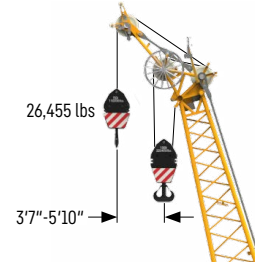
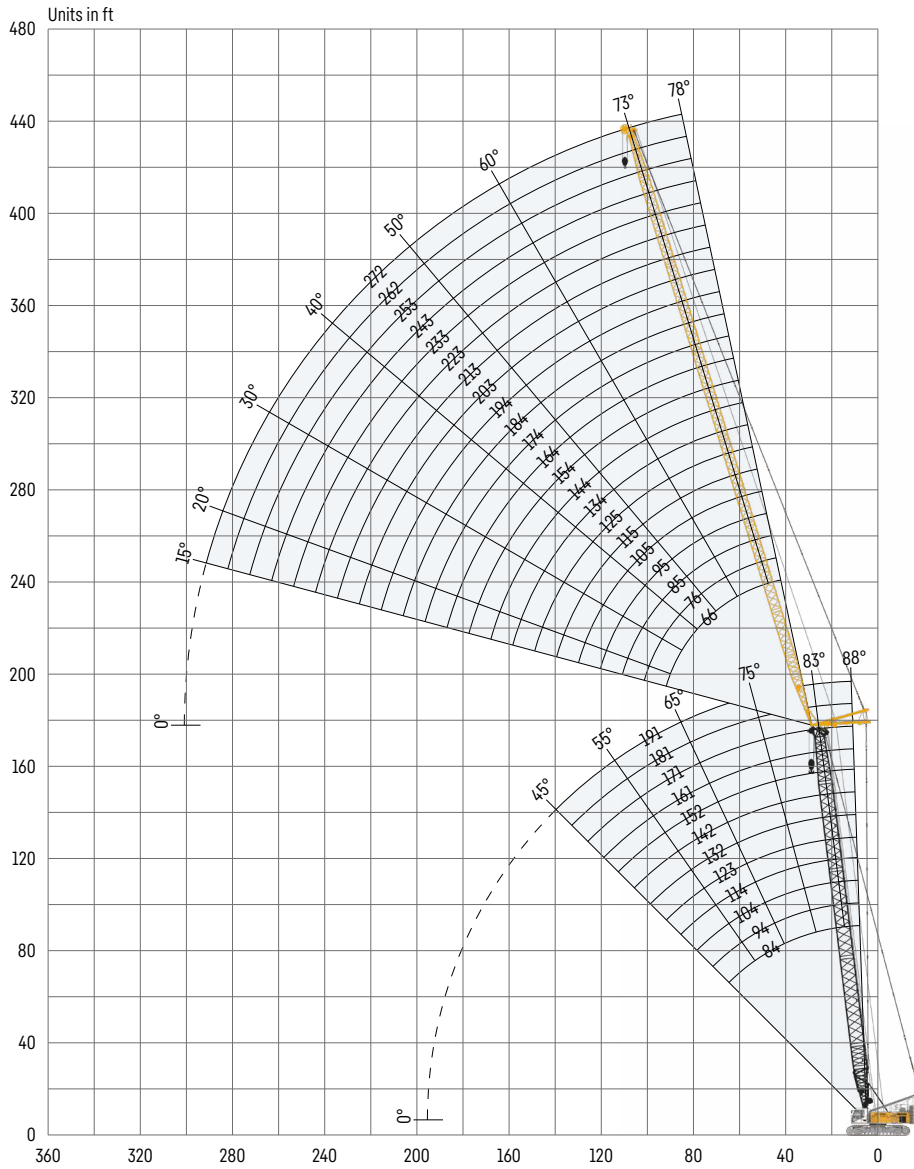


www.liebherr.com/CranePlanner

Crane Planner 2.0

Luffing jib 1713.xx

Jib lengths 66-272 ft



Auxiliary jib 26,455 lbs (option)
 The maximum capacity of the auxiliary jib is 26,455 lbs.

Jib configuration 1713.xx

Jib section	Amount of jib sections																						
	1	1	1	1	1	1	1	1	1	1	1	1	1	1	1	1	1	1	1	1			
Jib foot 23 ft	1	1	1	1	1	1	1	1	1	1	1	1	1	1	1	1	1	1	1	1			
Jib section 10 ft		1		1		1		1		1		1		1		1		1		1			
Jib section 20 ft	1	1			1	1			1	1			1	1			1	1		1			
Jib section 40 ft			1	1	1	1	2	2	2	2	3	3	3	3	4	4	4	4	5	5	5	5	
Jib head 23 ft	1	1	1	1	1	1	1	1	1	1	1	1	1	1	1	1	1	1	1	1	1	1	
Jib length [ft]	66	76	85	95	105	115	125	134	144	154	164	174	184	194	203	213	223	233	243	253	262	272	
Auxiliary jib	✓	✓	✓	✓	✓	✓	✓	✓	✓	✓	✓	✓	✓	✓	✓	✓	✓	✓	✓	✓	✓	✓	✓

Actual lengths of boom sections are metric (e.g. 3 m, 6 m). The figures shown above are approximate conversions to feet.
 For main boom configuration please refer to the table on page 18.

Load capacities with luffing jib

Load capacities in 1000 lbs with 84 ft main boom 88°

Radius [ft]	Jib length [ft]					
	66	115	154	194	233	272
26.3	130.5					
40	110.1	91.5				
50	84.3	78.7	61.8			
55	76.0	71.9	60.8	41.6		
65	61.4	57.3	53.4	40.1	27.1	
70	55.1	53.0	50.4	39.3	26.6	17.8
95		35.9	33.9	31.4	23.7	15.9
120		26.6	26.5	23.2	20.6	14.2
160			17.1	15.9	14.3	11.3
195				11.2	9.9	8.5
235					6.1	5.0
275						2.3

137,400 lbs rear counterweight and 44,100 lbs carbody counterweight

Load capacities in 1000 lbs with 123 ft main boom 88°

Radius [ft]	Jib length [ft]					
	66	115	154	194	233	272
27.6	120.0					
40	100.6	74.9				
50	83.6	69.0	49.8			
55	78.4	66.3	48.9	34.4		
65	63.6	57.3	47.1	33.8	23.8	
75	51.4	49.2	43.9	32.7	23.1	16.0
95		36.9	34.9	29.7	21.7	14.9
120		27.1	26.6	24.8	19.7	13.4
160			17.6	16.3	14.4	11.0
200				10.7	9.4	8.4
235					6.4	5.3
275						2.5

137,400 lbs rear counterweight and 44,100 lbs carbody counterweight

Load capacities in 1000 lbs with 142 ft main boom 88°

Radius [ft]	Jib length [ft]					
	66	115	154	194	233	272
28.3	103.5					
40	88.0	63.8				
50	76.3	60.7	43.5			
60	67.1	56.0	42.0	30.7		
65	62.9	53.2	41.0	30.2	21.7	
75	52.5	47.6	39.3	29.2	21.3	14.9
95		37.3	34.4	27.2	20.0	14.0
125		25.8	25.6	22.2	18.3	12.5
160			17.8	16.4	14.1	10.7
200				10.8	9.7	8.5
235					6.4	5.4
275						2.7

137,400 lbs rear counterweight and 44,100 lbs carbody counterweight

Load capacities in 1000 lbs with 171 ft main boom 88°

Radius [ft]	Jib length [ft]					
	66	115	154	194	233	272
29.3	78.7					
40	71.6	50.3				
50	62.7	48.3	35.7			
60	56.1	45.1	34.5	25.9		
65	53.2	42.9	33.6	25.5	15.3	
75	48.6	39.4	32.2	24.6	14.9	10.6
95		33.4	29.0	22.8	13.8	9.7
125		26.1	23.7	20.0	12.5	8.8
160			17.7	15.9	11.1	7.8
200				11.2	8.8	6.5
240					5.7	4.4
275						2.3

137,400 lbs rear counterweight and 44,100 lbs carbody counterweight

Load capacities in 1000 lbs with 191 ft main boom 88°

Radius [ft]	Jib length [ft]					
	66	95	115	134	154	164
30	65.9					
40	61.9	49.8				
50	54.7	46.8	41.1	36.0	27.2	
55	51.6	44.3	39.8	35.3	26.3	24.8
65	46.5	40.3	36.6	33.5	24.7	23.3
75	42.9	36.7	33.7	30.6	23.5	22.1
90		32.5	30.0	27.4	21.9	20.6
105		30.2	27.1	25.0	20.1	19.1
125			24.7	22.3	18.2	17.3
145				20.1	16.4	15.7
165					11.3	14.4
170						14.1

137,400 lbs rear counterweight and 44,100 lbs carbody counterweight

TLT 11962422. Above load charts are for reference only. For actual lift duty please refer to load chart in operator's cabin or manual. Otherwise we recommend you to plan your lifting job using Crane Planner 2.0.



www.liebherr.com/CranePlanner

Crane Planner 2.0

Load capacities with luffing jib

Load capacities in 1000 lbs with 84 ft main boom 83°

Radius [ft]	Jib length [ft]					
	66	115	154	194	233	272
39.3	130.5					
55	89.2	82.0				
70	64.5	59.9	57.2			
80	53.1	50.7	48.4	38.6		
90		42.6	40.7	36.5	24.8	
100		37.1	35.2	32.6	23.9	15.7
115		30.9	28.7	26.9	22.2	14.9
130		26.6	25.8	22.5	20.5	14.0
165			17.8	16.4	14.6	11.6
205				10.9	9.7	8.3
240					6.4	5.3
280						2.5

137,400 lbs rear counterweight and 44,100 lbs carbody counterweight

Load capacities in 1000 lbs with 123 ft main boom 83°

Radius [ft]	Jib length [ft]					
	66	115	154	194	233	272
44	108.0					
60	78.7	70.7				
70	65.0	63.9	49.6			
85	51.2	50.2	47.4	33.8		
95		42.6	40.5	32.9	22.2	
105		37.2	35.3	30.8	21.9	14.6
120		31.1	28.8	27.0	20.7	13.9
135		26.6	25.8	23.5	19.4	13.1
170			17.9	16.4	14.6	11.1
210				10.9	9.8	8.4
245					6.6	5.2
285						2.6

137,400 lbs rear counterweight and 44,100 lbs carbody counterweight

Load capacities in 1000 lbs with 142 ft main boom 83°

Radius [ft]	Jib length [ft]					
	66	115	154	194	233	272
46.4	92.0					
65	70.6	60.4				
75	59.2	55.4	42.9			
85	50.7	49.7	41.7	30.3		
100		40.7	38.0	29.4	20.7	
110		36.1	33.7	28.2	20.2	13.7
125		30.3	28.0	26.0	19.3	13.1
135		26.6	26.4	23.0	18.7	12.6
175			17.4	15.5	14.3	10.6
210				10.9	9.8	8.8
250					6.3	5.3
290						2.4

137,400 lbs rear counterweight and 44,100 lbs carbody counterweight

Load capacities in 1000 lbs with 171 ft main boom 83°

Radius [ft]	Jib length [ft]					
	66	115	154	194	233	272
49.9	70.5					
65	60.8	46.3				
80	52.7	41.6	34.4			
90	46.5	38.7	32.8	25.2		
100		36.0	31.0	24.4	15.0	
115		32.2	28.3	22.9	14.3	10.0
125		30.1	26.5	22.1	13.9	9.6
140		25.8	23.8	20.3	13.3	9.2
175			18.0	16.0	11.9	8.2
215				10.9	9.0	6.9
255					5.8	4.6
290						2.3

137,400 lbs rear counterweight and 44,100 lbs carbody counterweight

Load capacities in 1000 lbs with 191 ft main boom 83°

Radius [ft]	Jib length [ft]					
	66	95	115	134	154	164
52.3	58.2					
65	51.8	44.4				
70	48.9	42.6	38.4			
75	46.8	40.5	36.8	33.1		
80	44.9	39.0	35.4	32.1	25.6	
85	43.3	37.2	34.0	31.1	25.2	23.8
95	40.4	34.6	31.6	28.9	23.8	22.6
120		29.8	27.1	24.8	20.6	19.8
140			24.5	22.3	18.7	17.8
160				20.3	17.0	16.2
180					13.6	14.9
190						12.6

137,400 lbs rear counterweight and 44,100 lbs carbody counterweight

TLT 11962422. Above load charts are for reference only. For actual lift duty please refer to load chart in operator's cabin or manual. Otherwise we recommend you to plan your lifting job using Crane Planner 2.0.



www.liebherr.com/CranePlanner

Crane Planner 2.0

Load capacities with luffing jib

Load capacities in 1000 lbs with 84 ft main boom 75°

Radius [ft]	Jib length [ft]					
	66	115	154	194	233	272
59.4	53.0					
85	49.8	48.6				
100		39.8	38.7			
115		33.4	32.5	30.0		
135		27.3	26.4	25.5	21.1	
150			23.0	21.5	19.1	13.3
160			20.9	19.4	17.6	13.2
170			19.0	17.3	15.6	12.6
180			17.0	15.4	14.2	11.8
215				11.0	9.4	8.1
255					6.1	4.7
290						2.7

137,400 lbs rear counterweight and 44,100 lbs carbody counterweight

Load capacities in 1000 lbs with 123 ft main boom 75°

Radius [ft]	Jib length [ft]					
	66	115	154	194	233	272
69.4	53.0					
95	41.6	40.3				
110		33.6	32.5			
125		28.6	27.5	26.5		
145		23.6	22.7	21.7	19.7	
160			19.9	18.9	17.8	12.4
175			17.5	16.6	15.5	12.0
190			15.6	14.6	13.6	11.2
205				13.0	12.0	9.9
225				11.2	9.7	8.5
265					6.3	4.9
300						2.8

137,400 lbs rear counterweight and 44,100 lbs carbody counterweight

Load capacities in 1000 lbs with 142 ft main boom 75°

Radius [ft]	Jib length [ft]					
	66	115	154	194	233	272
74.5	53.0					
100	38.1	36.7				
115		30.8	29.6			
130		26.4	25.3	24.2		
150		21.9	20.9	19.9	18.1	
165			18.4	17.3	16.2	11.8
180			16.2	15.2	14.2	11.5
195			14.4	13.5	12.4	10.9
215				11.5	10.5	9.2
230				10.2	9.3	8.1
270					6.4	5.0
305						2.9

137,400 lbs rear counterweight and 44,100 lbs carbody counterweight

Load capacities in 1000 lbs with 171 ft main boom 75°

Radius [ft]	Jib length [ft]					
	66	115	154	194	233	272
81.8	46.6					
105	34.3	32.8				
120		27.7	26.5			
140		22.7	21.6	20.4		
155		19.9	18.8	17.7	12.8	
170			16.6	15.5	12.4	8.3
185			14.6	13.6	11.8	8.2
200			13.0	12.0	10.8	7.8
220				10.2	9.2	7.2
240				8.7	7.7	6.0
275					5.7	4.2
315						2.1

137,400 lbs rear counterweight and 44,100 lbs carbody counterweight

Load capacities in 1000 lbs with 191 ft main boom 75°

Radius [ft]	Jib length [ft]					
	66	95	115	134	154	164
86.9	41.7					
100	35.2	33.8				
110	31.2	30.4	29.1			
120	28.0	27.2	26.6	25.2		
125		25.9	25.3	24.4	19.5	
130		24.6	24.0	23.4	19.3	18.1
140		22.4	21.8	21.2	18.3	17.4
150		20.4	19.9	19.4	17.3	16.6
170			16.7	16.3	15.6	15.0
185				14.4	13.9	13.8
205					11.8	11.7
215						10.8

137,400 lbs rear counterweight and 44,100 lbs carbody counterweight

TLT 11962422. Above load charts are for reference only. For actual lift duty please refer to load chart in operator's cabin or manual. Otherwise we recommend you to plan your lifting job using Crane Planner 2.0.



www.liebherr.com/CranePlanner

Crane Planner 2.0

Load capacities with luffing jib

Load capacities in 1000 lbs with 84 ft main boom 65°

Radius [ft]	Jib length [ft]					
	66	115	154	194	233	272
83	48.5					
115		31.2				
135		25.5	24.4			
155		21.3	20.4			
160			19.5	18.4		
180			16.5	15.5	14.4	
190			15.3	14.3	13.3	
205				12.7	11.7	10.4
220				11.3	10.3	9.1
230				10.5	9.2	8.0
270					6.0	4.5
305						2.6

137,400 lbs rear counterweight and 44,100 lbs carbody counterweight

Load capacities in 1000 lbs with 123 ft main boom 65°

Radius [ft]	Jib length [ft]					
	66	115	154	194	233	272
99.2	35.9					
130		24.3				
150		20.1	19.0			
175			15.3	14.2		
190			13.5	12.4		
200			12.5	11.4	10.3	
210			11.6	10.5	9.4	
220				9.7	8.6	7.2
235				8.6	7.6	6.2
245				8.0	6.9	5.6
285					4.8	3.7
320						2.4

137,400 lbs rear counterweight and 44,100 lbs carbody counterweight

Load capacities in 1000 lbs with 142 ft main boom 65°

Radius [ft]	Jib length [ft]					
	66	115	154	194	233	272
107.5	30.9					
140		20.7				
160		17.3	16.1			
185			13.0	11.9		
195			12.0	10.9		
205			11.1	10.0	8.8	
215			10.2	9.2	8.0	
230				8.1	7.0	5.2
245				7.2	6.1	4.3
255				6.6	5.5	3.8
295					3.6	2.2
300						2.0

137,400 lbs rear counterweight and 44,100 lbs carbody counterweight

Load capacities in 1000 lbs with 171 ft main boom 65°

Radius [ft]	Jib length [ft]					
	66	115	154	194	233	272
119.6	24.7					
150		16.9				
175		13.6	12.4			
185		12.5	11.4			
195			10.4	9.2		
210			9.2	8.0		
220			8.5	7.4	5.5	
230			7.8	6.7	4.9	
240				6.2	4.4	2.5
250				5.6	3.9	2.1
265				4.9	3.3	
305					2.0	

137,400 lbs rear counterweight and 44,100 lbs carbody counterweight

Load capacities in 1000 lbs with 191 ft main boom 65°

Radius [ft]	Jib length [ft]					
	66	95	115	134	154	164
127.9	21.0					
135	19.6					
145	17.9	16.8				
160		14.8	14.1			
170		13.5	12.9	12.3		
180		12.4	11.8	11.3	10.5	
185			11.3	10.8	10.1	9.9
200			10.0	9.5	8.9	8.7
210				8.8	8.1	8.0
220				8.1	7.5	7.3
235					6.6	6.4
245						5.9

137,400 lbs rear counterweight and 44,100 lbs carbody counterweight

TLT 11962422. Above load charts are for reference only. For actual lift duty please refer to load chart in operator's cabin or manual. Otherwise we recommend you to plan your lifting job using Crane Planner 2.0.

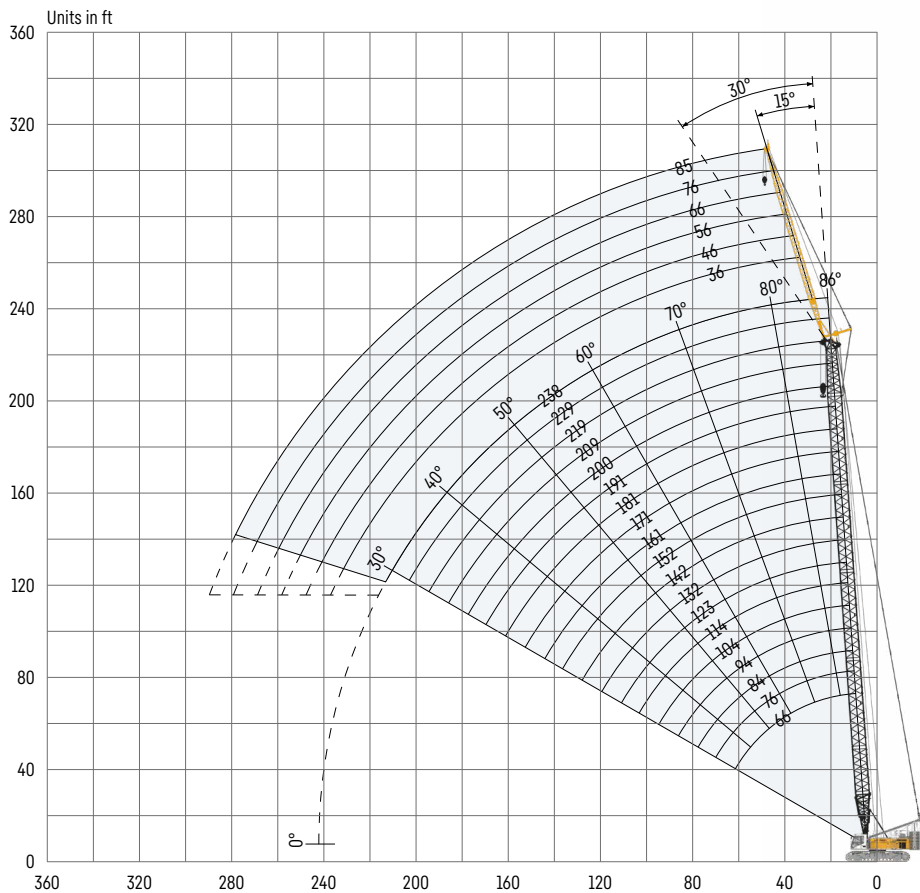


www.liebherr.com/CranePlanner

Crane Planner 2.0

Fixed jib 1008.xx

Jib lengths 36-85 ft



Jib configuration 1008.xx

Jib section	Amount of jib sections					
	1	1	1	1	1	1
Jib foot 18 ft	1	1	1	1	1	1
Jib section 10 ft		1		1		1
Jib section 20 ft			1	1	2	2
Jib head 18 ft	1	1	1	1	1	1
Jib length [ft]	36	46	56	66	76	85

Actual lengths of boom sections are metric (e.g. 3 m, 6 m). The figures shown above are approximate conversions to feet.
For main boom configuration please refer to the table on page 18.

Load capacities with fixed jib 15°

Load capacities in 1000 lbs with 66 ft main boom

Radius [ft]	Jib length [ft]			
	36	46	66	85
18.6	79.1			
30	79.1	79.1		
40	79.1	69.6	52.8	42.7
55	76.2	57.3	43.6	35.4
65	69.6	56.2	38.7	31.8
75	57.6	53.8	37.2	28.5
85	48.9	49.4	36.8	26.9
95	42.1	42.6	34.3	26.6
100	39.3	39.8	32.8	26.6
110		34.8	30.3	25.7
125			27.4	22.9
145				20.1

137,400 lbs rear counterweight and 44,100 lbs carbody counterweight

Load capacities in 1000 lbs with 132 ft main boom

Radius [ft]	Jib length [ft]			
	36	46	66	85
20.9	79.1			
30	79.1	79.1		
40	79.1	76.9	67.2	
50	79.1	73.3	62.6	45.5
70	61.5	62.0	52.8	40.0
90	43.7	44.1	44.9	34.7
110	32.9	33.2	33.9	30.2
130	25.6	25.9	26.5	26.6
155	19.2	19.5	20.1	20.5
165		17.5	18.1	18.5
185			14.7	15.1
205				12.3

137,400 lbs rear counterweight and 44,100 lbs carbody counterweight

Load capacities in 1000 lbs with 171 ft main boom

Radius [ft]	Jib length [ft]			
	36	46	66	85
22.3	79.1			
30	79.1	75.7		
40	79.1	74.2	60.5	
50	79.1	71.8	58.0	42.8
75	55.0	55.5	49.4	38.5
105	34.0	34.4	35.2	32.7
135	23.0	23.3	24.0	24.5
165	16.2	16.5	17.0	17.4
190	12.2	12.4	12.9	13.3
200		11.1	11.5	11.9
220			9.2	9.6
240				7.6

137,400 lbs rear counterweight and 44,100 lbs carbody counterweight

Load capacities in 1000 lbs with 200 ft main boom

Radius [ft]	Jib length [ft]			
	36	46	66	85
23.3	79.1			
30	79.1	71.3		
40	77.5	69.3	53.7	
50	74.8	66.5	52.3	39.7
85	45.5	46.0	43.8	35.0
115	28.9	29.2	30.0	30.6
150	18.4	18.7	19.3	19.8
185	12.1	12.3	12.8	13.2
215	8.3	8.5	8.9	9.3
225		7.4	7.9	8.2
245			6.0	6.3
265				4.7

137,400 lbs rear counterweight and 44,100 lbs carbody counterweight

Load capacities in 1000 lbs with 229 ft main boom

Radius [ft]	Jib length [ft]			
	36	46	56	66
24.3	62.1			
30	61.5	54.7		
40	59.3	53.8	48.3	43.2
85	44.6	43.8	41.7	37.9
115	27.9	28.3	28.8	29.2
145	18.6	18.9	19.3	19.6
175	12.6	12.9	13.2	13.4
205	8.4	8.7	9.0	9.1
240	4.9	5.1	5.3	5.5
250		4.2	4.5	4.6
260			3.7	3.8
270				3.1

137,400 lbs rear counterweight and 44,100 lbs carbody counterweight

TLT 11962422. Above load charts are for reference only. For actual lift duty please refer to load chart in operator's cabin or manual. Otherwise we recommend you to plan your lifting job using Crane Planner 2.0.



www.liebherr.com/CranePlanner

Crane Planner 2.0

Load capacities with fixed jib 30°

Load capacities in 1000 lbs with 66 ft main boom

Radius [ft]	Jib length [ft]			
	36	46	66	85
27.3	70.2			
40	61.3	50.4		
50	55.8	45.8	33.9	
60	53.1	42.0	31.0	25.5
70	53.0	40.4	28.7	23.6
80	49.9	40.0	26.8	21.9
90	45.7	37.1	26.6	20.3
100	39.4	35.1	26.6	19.3
110		33.8	24.9	18.9
120			23.8	18.2
130			23.0	17.2
150				16.1

137,400 lbs rear counterweight and 44,100 lbs carbody counterweight

Load capacities in 1000 lbs with 132 ft main boom

Radius [ft]	Jib length [ft]			
	36	46	66	85
29.7	79.1			
40	79.1	64.7		
50	74.0	61.3	42.2	
60	68.5	56.5	38.9	28.4
80	52.3	50.4	33.9	26.6
100	38.3	38.9	30.1	23.5
120	29.3	29.8	27.3	21.2
140	23.0	23.5	24.3	19.2
160	18.3	18.7	19.5	17.7
170		16.7	17.5	17.1
185			14.8	15.5
205				12.5

137,400 lbs rear counterweight and 44,100 lbs carbody counterweight

Load capacities in 1000 lbs with 171 ft main boom

Radius [ft]	Jib length [ft]			
	36	46	66	85
31	78.4			
40	77.9	63.3		
50	72.2	60.1	40.6	
65	65.8	54.7	38.1	28.2
90	43.5	44.2	33.3	24.4
115	30.3	30.8	29.5	22.3
140	22.1	22.5	23.4	20.4
165	16.5	16.8	17.6	18.2
190	12.3	12.6	13.3	13.9
200		11.2	11.8	12.4
220			9.3	9.9
240				7.7

137,400 lbs rear counterweight and 44,100 lbs carbody counterweight

Load capacities in 1000 lbs with 200 ft main boom

Radius [ft]	Jib length [ft]			
	36	46	66	85
32	71.4			
40	69.6	58.9		
55	64.1	54.3	40.3	
65	60.6	52.3	37.9	27.8
100	36.7	37.4	32.1	23.4
130	24.2	24.7	25.8	20.9
160	16.7	17.1	17.9	18.6
190	11.6	11.9	12.6	13.2
215	8.4	8.6	9.3	9.8
225		7.5	8.1	8.7
245			6.1	6.6
265				4.8

137,400 lbs rear counterweight and 44,100 lbs carbody counterweight

Load capacities in 1000 lbs with 229 ft main boom

Radius [ft]	Jib length [ft]			
	36	46	56	66
33	56.3			
40	56.3	49.6		
50	54.8	48.5	42.5	
55	53.6	47.5	42.1	37.1
95	38.9	39.5	35.7	31.6
130	23.4	23.9	24.5	25.0
165	14.8	15.2	15.7	16.1
200	9.3	9.6	10.0	10.3
240	5.0	5.2	5.6	5.8
250		4.3	4.6	4.9
260			3.8	4.0
270				3.2

137,400 lbs rear counterweight and 44,100 lbs carbody counterweight

TLT 11962422. Above load charts are for reference only. For actual lift duty please refer to load chart in operator's cabin or manual. Otherwise we recommend you to plan your lifting job using Crane Planner 2.0.

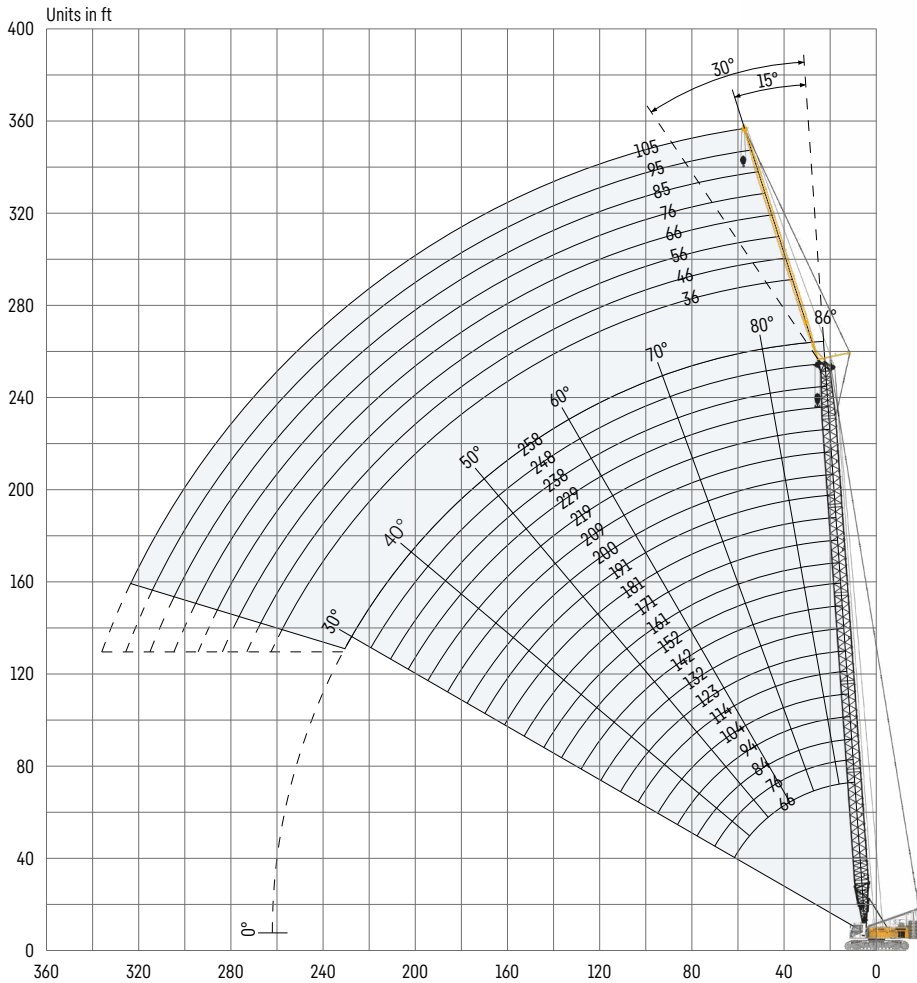


www.liebherr.com/CranePlanner

Crane Planner 2.0

Fixed jib 0806.xx

Jib lengths 36-105 ft



Jib configuration 0806.xx

Jib section	Amount of jib sections							
Jib foot 18 ft	1	1	1	1	1	1	1	1
Jib section 10 ft		1		1		1		1
Jib section 20 ft			1	1	2	2	3	3
Jib head 18 ft	1	1	1	1	1	1	1	1
Jib length [ft]	36	46	56	66	76	85	95	105

Actual lengths of boom sections are metric (e.g. 3 m, 6 m). The figures shown above are approximate conversions to feet. For main boom configuration please refer to the table on page 18.

Load capacities with fixed jib 15°

Load capacities in 1000 lbs with 66 ft main boom

Radius [ft]	Jib length [ft]			
	36	66	85	105
25	48.5			
40	43.9	23.0	16.9	
50	41.5	21.5	15.8	11.7
60	38.9	20.1	14.8	10.9
75	36.2	18.4	13.7	9.9
90	33.5	17.3	12.8	9.1
100	31.6	16.8	12.3	8.6
110		16.3	11.9	8.2
120		15.8	11.5	7.8
130		15.4	11.2	7.5
145			11.0	7.1
165				6.8

137,400 lbs rear counterweight and 44,100 lbs carbody counterweight

Load capacities in 1000 lbs with 132 ft main boom

Radius [ft]	Jib length [ft]			
	36	66	85	105
21.6	46.1			
40	43.9	22.9		
50	42.4	22.0	15.5	
55	41.7	21.5	15.1	10.9
70	40.0	20.4	14.3	10.3
90	38.4	19.0	13.3	9.4
110	34.3	17.7	12.6	8.7
130	27.0	16.7	11.9	8.1
155	20.7	16.2	11.3	7.5
185		15.6	10.9	7.0
205			10.8	6.8
225				6.8

137,400 lbs rear counterweight and 44,100 lbs carbody counterweight

Load capacities in 1000 lbs with 191 ft main boom

Radius [ft]	Jib length [ft]			
	36	66	85	105
23.6	37.3			
40	36.4	20.0		
50	35.8	19.6	12.8	
55	35.6	19.4	12.6	9.0
85	34.2	18.6	11.9	8.5
115	30.5	17.9	11.4	8.1
145	21.3	16.6	11.0	7.7
175	15.3	15.9	10.7	7.2
205	11.1	12.2	10.4	6.9
235		8.9	9.5	6.6
255			7.7	6.6
275				6.6

137,400 lbs rear counterweight and 44,100 lbs carbody counterweight

Load capacities in 1000 lbs with 238 ft main boom

Radius [ft]	Jib length [ft]			
	36	66	85	105
25.3	31.6			
40	30.5	15.9		
55	29.7	15.8	10.5	7.4
80	28.6	15.6	10.2	7.3
115	26.2	15.2	9.9	7.1
150	18.7	15.0	9.6	6.8
185	12.4	13.5	9.4	6.6
220	8.1	9.1	8.6	6.4
245	5.8	6.7	7.3	6.4
275		4.4	5.0	5.4
295			3.6	4.1
315				2.9

137,400 lbs rear counterweight and 44,100 lbs carbody counterweight

Load capacities in 1000 lbs with 258 ft main boom

Radius [ft]	Jib length [ft]			
	36	56	66	76
26	27.0			
40	26.8	16.7	14.1	
50	26.4	16.4	14.0	11.4
85	24.6	15.8	13.5	11.0
120	22.8	15.4	13.2	10.8
155	17.0	15.0	12.9	10.6
190	11.0	11.8	12.1	10.5
225	7.0	7.7	8.0	8.1
265	3.6	4.3	4.5	4.8
285		2.9	3.2	3.5
295			2.5	2.8
305				2.2

137,400 lbs rear counterweight and 44,100 lbs carbody counterweight

TLT 11962422. Above load charts are for reference only. For actual lift duty please refer to load chart in operator's cabin or manual. Otherwise we recommend you to plan your lifting job using Crane Planner 2.0.



www.liebherr.com/CranePlanner

Crane Planner 2.0

Load capacities with fixed jib 30°

Load capacities in 1000 lbs with 66 ft main boom

Radius [ft]	Jib length [ft]			
	36	66	85	105
30	41.6			
50	37.6	19.1		
60	35.5	18.1	13.7	
75	31.4	17.3	12.9	9.1
85	29.0	16.8	12.4	8.7
100	27.0	15.8	11.9	8.1
110		15.2	11.6	7.7
120		14.7	11.2	7.5
130		14.2	10.7	7.2
140			10.3	7.1
150			10.2	6.9
170				6.9

137,400 lbs rear counterweight and 44,100 lbs carbody counterweight

Load capacities in 1000 lbs with 132 ft main boom

Radius [ft]	Jib length [ft]			
	36	66	85	105
30.4	40.0			
50	38.5	19.0		
65	37.8	18.2	13.3	
75	37.4	17.6	12.9	8.8
90	34.6	17.0	12.5	8.5
105	32.1	16.8	12.1	8.1
120	29.9	16.1	11.9	7.8
135	25.9	15.5	11.5	7.5
160	19.8	14.6	10.9	7.2
185		14.2	10.3	7.0
205			10.2	6.9
225				6.9

137,400 lbs rear counterweight and 44,100 lbs carbody counterweight

Load capacities in 1000 lbs with 191 ft main boom

Radius [ft]	Jib length [ft]			
	36	66	85	105
32.4	34.3			
55	33.8	17.9		
65	33.6	17.6	11.8	
80	33.4	17.2	11.6	8.2
105	32.3	16.6	11.4	7.9
130	25.9	16.0	11.3	7.6
155	19.4	15.5	11.2	7.3
180	14.8	15.1	11.0	7.1
210	10.6	11.9	10.4	7.0
240		8.6	9.3	7.0
255			7.9	7.0
275				6.8

137,400 lbs rear counterweight and 44,100 lbs carbody counterweight

Load capacities in 1000 lbs with 238 ft main boom

Radius [ft]	Jib length [ft]			
	36	66	85	105
34.1	29.5			
55	28.9	16.1		
70	28.5	16.0	10.3	
80	28.3	15.9	10.2	7.2
115	27.8	15.7	10.1	7.1
150	19.3	15.3	10.0	7.0
185	12.7	14.1	10.0	6.9
220	8.3	9.6	9.1	6.8
250	5.5	6.6	7.3	6.5
280		4.2	4.8	5.5
300			3.4	4.0
320				2.7

137,400 lbs rear counterweight and 44,100 lbs carbody counterweight

Load capacities in 1000 lbs with 258 ft main boom

Radius [ft]	Jib length [ft]			
	36	56	66	76
34.8	26.2			
50	25.5	16.4		
65	25.1	16.3	11.5	
70	25.0	16.2	11.5	9.3
115	24.0	16.0	11.5	9.2
155	17.6	15.2	11.3	9.2
195	10.7	11.7	11.3	9.1
230	6.7	7.6	8.4	8.0
265	3.7	4.5	5.2	5.5
285		3.0	3.7	4.0
305			2.3	2.6
310				2.3

137,400 lbs rear counterweight and 44,100 lbs carbody counterweight

TLT 11962422. Above load charts are for reference only. For actual lift duty please refer to load chart in operator's cabin or manual. Otherwise we recommend you to plan your lifting job using Crane Planner 2.0.



www.liebherr.com/CranePlanner

Crane Planner 2.0



Download datasheet



Please contact us.

Liebherr-Werk Nenzing GmbH · Dr. Hans Liebherr Str. 1 · 6710 Nenzing, Austria
Phone +43 50809 41-473 · crawler.crane@liebherr.com · www.liebherr.com
facebook.com/LiebherrConstruction

Liebherr USA, Co. · 7075 Bennington Street · Houston, TX 77028-5812
Phone (713) 636-4050 · crawler.cranes.usa@liebherr.com · www.liebherr.com
facebook.com/LiebherrConstruction