

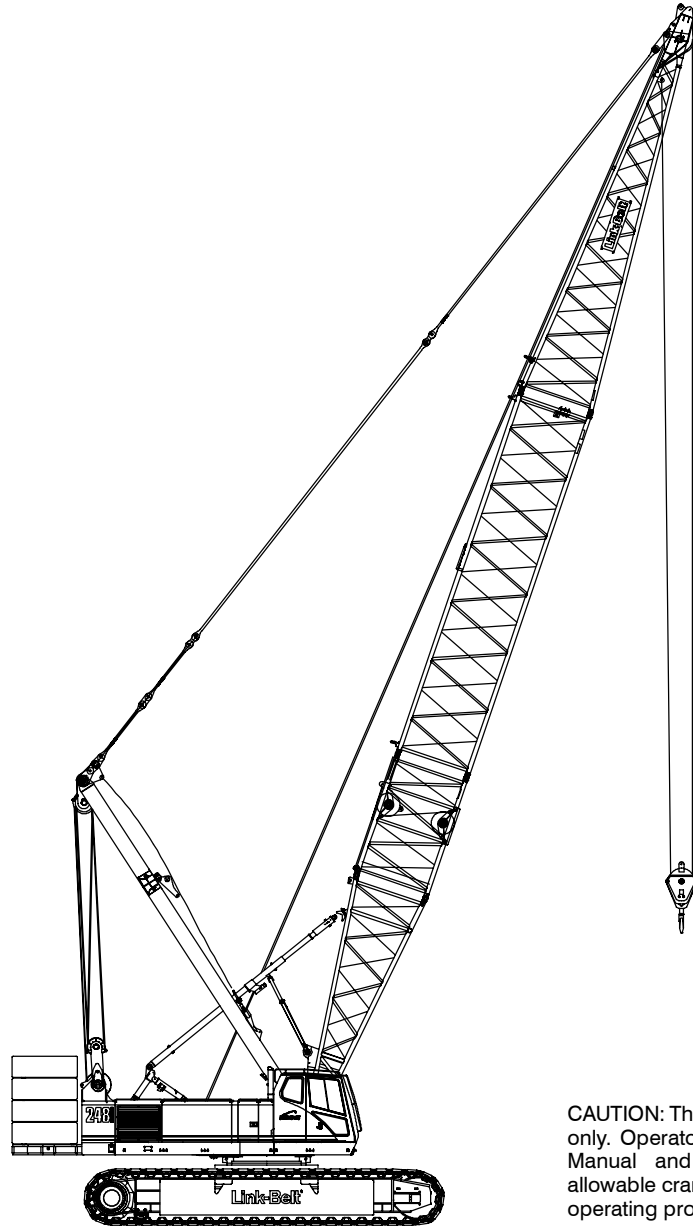
Technical Data

Specifications & Capacities

248

HYLAB 5

Crawler Crane
200 Ton (181 metric ton)



CAUTION: This material is supplied for reference use only. Operator must refer to in-cab Crane Rating Manual and Operator's Manual to determine allowable crane lifting capacities and assembly and operating procedures.

Table Of Contents

Upper Structure	1
Frame	1
Engine	1
Hydraulic System	1
Load Hoist Drums	1
Optional Front–Mounted Third Hoist Drum	1
Boom Hoist Drum	2
Swing System	2
Counterweight	2
Operator’s Cab	2
Rated Capacity Limiter System	2
Boom Hoist System	2
Machinery Cab	2
Catwalks	2
Lower Structure	3
Carbody	3
Side Frames	3
Travel and Steering	3
Jack System	3
Attachment and Options	3
Conventional Tubular Boom	3
Tubular Jib	4
Luffing Boom	4
Auxiliary Tip Extension	4
Luffing Jib	4
Fixed Jib	4
Dimensions	5
Base Crane	7
Side Frames	7
Upper Counterweights	8
Lower Counterweights	8
Boom/Luffing Boom	9
Jib	11
Luffing Jib	12
Hook Blocks	13
Hook Balls	13
Working Weights	14
Transport Weights	14
Transport Drawings	15
Load Hoist Performance	18
Working Areas	19
Attachments	20
Main Boom Make–up	21
Main Boom Working Range Diagram	22

Main Boom Load Charts	23
Jib Attachment Make–up	25
Jib Attachment Working Range Diagram	26
Jib Attachment Load Charts	27
Luffing Attachment Make–up	31
Luffing Boom Make–up	31
Luffing Jib Make–up	31
Luffing Attachment Working Range Diagrams	32
Luffing Attachment Load Charts	36
Luffing Attachment Transport	47

Upper Structure

Frame

All welded and precision machined surfaces.

Turntable Bearing

- Outer race bolted to upper frame; inner race with internal swing gears bolted to lower frame.

Engine

Engine

Full pressure lubrication, oil filter, air cleaner, hour meter, throttle, and electric control shutdown.

Mitsubishi 6D24–TLA2L

Number of cylinders	6
Bore and stroke	5.12 in x 5.91 in (130 x 150mm)
Piston displacement	729 in ³ (12L)
Engine rpm at full load speed	2,000 rpm
Hi–idle rpm	2,200 rpm
Gross engine hp	266 hp (198kw)
Peak torque	870 ft lb (1 060joule) @ 1,400 rpm
Electrical system	24 volt
Fuel tank capacity	77 gal (291.5L)
Batteries	2–12 volt
Approximate fuel consumption	gal/hr (L/hr)
100% hp	14.07 (53.26)
75% hp	9.33 (35.32)
50% hp	6.70 (25.36)
25% hp	3.51 (13.29)

Fuel Tank

Equipped with fuel sight level gauges, flame arrester, and self–closing cap with locking eye for padlock.

Hydraulic System

Hydraulic Pumps

The pump arrangement is designed to provide hydraulically powered functions allowing positive, precise control with independent or simultaneous operation of all crane functions.

- Two variable displacement pumps operating at 4,451 psi (312.9kg/cm²) and 83 gal/min (314.2L/min) powers load hoist drums, boom hoist drum, optional third drum, and travel.
- Two fixed displacement gear type pumps operating at 3,342 psi (235kg/cm²) and 21 gal/min (79.5L/min) powers the swing motor, lower jacks, and counterweight removal.
- One fixed displacement gear type pump operating at 1,991 psi (140kg/cm²) and 8.1 gal/min (30.7L/min) powers the fan for the oil cooler.
- One fixed displacement gear type pump operating at 2,990 psi (210kg/cm²) and 10.8 gal/min (40.9L/min) powers the remote control valves.

Remote Oil Cooler

Oil cooler, located behind the operator's cab, has a hydraulically driven, thermostatically controlled fan to control oil temperature.

Pump Control “Fine Inching” Mode

Special pump setting, selectable from the operator's cab, that allows very slow movements of load hoist drums, boom hoist drum, and travel for precision work.

Hydraulic Reservoir

42 gal (159.0L), equipped with sight level gauge. Diffusers built in for deaeration.

Filtration

Ten micron, full flow, line filter in the control circuit. All oil is filtered prior to entering the reservoir.

Counterbalance Valves

All hoist motors are equipped with counterbalance valves to provide positive load lowering and prevent accidental load drop if the hydraulic pressure is suddenly lost.

Load Hoist Drums

Each drum contains a pilot controlled, bi–directional, axial piston motor and a planetary gear reduction unit to provide positive control under all load conditions.

- Power up/down and free–fall operation modes
- Automatic brake mode (spring applied, hydraulically released, band type brake)
- Grooved lagging
- Drum pawl controlled manually
- Electronic drum rotation indicators
- Mounted on anti–friction bearings
- 19.00 in (48.26cm) root diameter
- 33.86 in (86.00cm) flange diameter
- 22.52 in (57.20cm) width

The free–fall operation mode is designed to prevent load lowering even if the free–fall switch is accidentally activated.

The automatic brake mode meets all OSHA requirements for personnel handling.

Drum Clutches

Hydraulic two shoe clutch design that uses a 30 in (762mm) diameter x 6.5 in (165mm) wide shoe that expands internally to provide load control. Swept area is 314.16 in² (2 026.83cm²).

Optional Front–Mounted Third Hoist Drum

Mounts in the boom base section and is used in conjunction with a fleeting sheave and 3–sheave idler assembly to run the wire rope over the boom top section.

- Power up/down for luffer applications where a second load line is needed
- 18.70 in (475mm) root diameter
- 33.66 in (855mm) flange diameter
- 32.00 in (813mm) width
- Mounted on anti–friction bearings

Boom Hoist Drum

Contains a pilot controlled, bi-directional, axial piston motor and a planetary gear reduction unit to provide positive control under all load conditions.

- Spring applied, hydraulically released, disc type brake controlled automatically
- Grooved lagging
- Drum pawl controlled automatically
- Mounted on anti-friction bearings
- 14.99 in (38.07cm) root diameter
- 30.71 in (78.00cm) flange diameter
- 11.55 in (29.34cm) width

Swing System

Pilot controlled bi-directional axial piston motors and planetary gear reduction units to provide positive control under all load conditions.

- Spring applied, hydraulically released, 360° multi-plate brake
- Free swing mode when lever is in neutral position
- Four position positive house lock
- Two-speed swing
- Audio/Visual swing alarm
- Maximum swing speed is 1.92 rpm

Counterweight

Consists of a five-piece design that can be easily lowered to the ground using the hydraulic counterweight removal cylinders.

- “A” upper counterweight consists of one, 14,000 lb (6 350kg) base slab and two, 13,000 lb (5 897kg) wing weights.
- “B” upper counterweight consists of two, 13,000 lb (5 897kg) wing weights.
- “C” upper counterweight consists of two, 13,000 lb (5 897kg) wing weights.
- Optional “D” upper counterweight consists of two, 13,000 lb (5 897kg) wing weights.
- Two side frame counterweights – 24,000 lb (10 886kg) each for 44 in (1.12m) track shoes, 21,500 lb (9 752kg) each for 50 in (1.27m) track shoes.

Total combined counterweight, “ABCD” plus side frames counterweights, is 166,000 lb (75 296kg) for 44 in (1.12m) track shoes, 161,000 lb (73 030kg) for 50 in (1.27m) track shoes.

Operator’s Cab

Fully enclosed modular steel compartment is independently mounted and padded to protect against vibration and noise.

- All tinted/tempered safety glass
- Folding hinge entry door and sliding front glass window
- 19,000 BTU hot water heater
- 18,600 BTU air conditioner
- Door and window locks
- Circulating fan
- Sun visor
- Cloth seat
- Defroster
- Windshield wipers and washer
- Dry chemical fire extinguisher
- Engine instrumentation panel (voltmeter, engine oil pressure, engine water temperature, fuel level, hydraulic oil temperature, hour meter, and service monitor system)
- Electronic drum rotation indicators for front and rear hoist drums
- Six way adjustable seat
- Hand and foot throttle
- Fully adjustable single axis controls
- Swing lever with swing brake and horn located on handle
- Bubble type level
- Ergonomic gauge layout
- Controls shut off lever
- Right hand control stand is adjustable by electric motor for operator comfort.

Rated Capacity Limiter System

The rated capacity limiter system is a boom hoist load cell system. This system provides the operator with useful geometrical data, to include:

- Main Boom Length
- Main Boom Angle
- Jib Length
- Jib Angle
- Operating Mode

- Load Radius
- Boom Tip Height
- Audible Alarm
- Pre-Warning Light
- Overload Light
- Load On Hook
- Function kick-outs including over load
- Operator settable stops (ramped stops)
- Anti-Two Block Indicator
- Boom hoist dead end load cell (no lineriders)

Boom Hoist System

Designed to lift off maximum boom or maximum boom plus jib and maximum luffing attachment unassisted. Operates up to a maximum boom angle of 80°. Boom hoist limit system limits maximum boom angle operation.

- Pin-on bail frame
- 16-part reeving with 7/8 in (22mm) wire rope
- Bridle assembly
- 30 ft (9.14m) live mast
- Tubular boom backstops (telescopic type)
- Sheaves contain sealed anti-friction bearings
- Boom speed from 10° – 70° is 90 seconds with no load. Speed was determined using 100 ft (30.48m) of tube boom.

Machinery Cab

Hinged doors (one on right side, two on left side) for machinery access. Equipped with rooftop access ladder and skid resistant finish on roof.

Catwalks

Standard on right and left sides. Catwalks are removable for reduced travel width.

Lower Structure

Carbody

Lower Frame

All welded high strength steel [100,000 psi (689.48MPa) yield] box construction frame with precision machined surfaces for turntable bearing and rotating joint.

- 20 ft 4 in (6.20m) overall width
- 11 ft 9.75 in (3.60m) overall length

Side Frames

Side Frames

All welded, precision machined and removable. Carbody cross axles positioned by dowels and held in place with adjustable wedge packs.

- 18 ft 10 in (5.74m) gauge
- 28 ft 6 in (8.69m) overall length
- 44 in (1.12m) wide track shoes
- Sealed (oil filled) drive planetaries
- Compact travel drives
- Slide rails on top of each side frame
- Optional – 50 in (1.27m) wide track shoes

Track Rollers

- Eleven sealed (oil filled) track rollers per side frame
- Heat treated, mounted on anti-friction bearings

Tracks

Heat treated, self-cleaning, multiple hinged track shoes joined by one-piece full floating pins; 50 shoes per side frame

Take Up Idlers

Cast steel, heat treated, self-cleaning, mounted on sealed tapered roller bearings.

- **Track Tension Adjustment** – Idler wheel adjusted by means of hydraulic cylinder and hand pump. Idler wheel shaft held in position with shims after adjustment is made.

Travel and Steering

Travel and Steering

Each side frame contains a pilot controlled, bi-directional, axial piston motor and a planetary gear reduction unit to provide positive control under all load conditions.

- 2-speed travel.
- Individual control provides smooth, precise maneuverability including full counter-rotation.
- Spring applied, hydraulically released disc type brake controlled automatically
- Maximum travel speed is 0.85 mph (1.37km/h).
- Designed to 30% gradeability

Jack System

System contains four hydraulic cylinders individually pinned on the carbody.

- Standard; four ground controlled, power hydraulic jacks, pinned to the lower carbody frame, used to raise the crane to facilitate removal and installation of the crawler side frames.
- Individual controls are mounted on carbody.
- Minimum height of carbody when resting on pontoons is 21.50 in (54.61cm).
- Maximum height of carbody when resting on pontoons is 37.50 in (0.95m).

Attachment and Options

Conventional Tubular Boom 50–280 ft (15.24–83.34m)

Basic Boom

50 ft (15.24m) two-piece design that utilizes a 20 ft (6.10m) base section and a 30 ft (9.14m) open throat top section with in-line connecting pins on 80 in (2.03m) wide and 68 in (1.73m) deep centers.

- Boom foot on 55 in (1.40m) centers
- 4 in (10.16cm) diameter chords
- Lugs on base section to attach carrying links
- Skywalk platform
- Deflector roller on top section
- Permanent skid pads mounted on top section to protect head machinery
- Appropriate length bar pendants stored on top section.

- Six, 21 in, (0.53m) root diameter steel sheaves mounted on sealed anti-friction bearings
- Tip extension and jib connecting lugs on top section
- Mechanical boom angle indicator

Tube Boom Extensions

The following table provides the lengths available and the suggested quantity to obtain maximum boom in 10 ft (3.05m) increments. Midpoint pendant connections are required at 110 ft (33.5m) for boom lengths of 250–280 ft (76.20–85.34m).

- Polyamide wear blocks on top of each extension
- Appropriate length bar pendants stored on extension

Tube Boom Extensions		Quantity For Max Boom
ft	m	
10	3.05	1*
20	6.10	1
30	9.14	2
40	12.19	1
50	15.24	2

* Assumes one 10 ft (3.05m) extension is the self-assembly section.

- Maximum tip height of 285 ft (86.87m)
- Boom connecting pins storage on each extension

Tubular Jib 30–100 ft (9.14–30.48m)

Basic Tube Jib

30 ft (9.14m) two-piece design that utilizes a 15 ft (4.57m) base section and a 15 ft (4.57m) top section with in-line connecting pins on 32 in (0.81m) wide and 24 in (0.61m) deep centers.

- 2.25 in (57.15mm) diameter tubular chords
- One 21 in (0.53m) root diameter steel sheave mounted on sealed anti-friction bearings
- 10 ft (3.05m) and 20 ft (6.10) jib extensions are available to provide jib lengths of 30–100 ft (9.14–30.48m) in 10 ft (3.05m) increments
- Jib offset angles at 5°, 15°, and 25°
- The maximum tip height of tube boom + jib [240 ft + 100 ft (73.15 + 30.5m)] is 345 ft (105m).
- Basic tube jib can be used as fixed jib on luffing jib

Auxiliary Tip Extension 5 ft (1.5m)

Designed to use in place of jib to provide clearance between working hoist lines. The extension is equipped with two 21 in (0.53m) root diameter nylon sheaves mounted on sealed anti-friction bearings. Maximum capacity is 20 Tons (18.14mt).

Luffing Boom 80–190 ft (24.38–57.91m)

- Common base and extensions as open throat boom (“FE” boom only).
- 10 ft (3.05m) luffing extension required for bail anchor
- Working angles of 90°, 85°, 80°, 75°, 70°, and 65°
- Working lengths of 80 ft (24.38m) to 190 ft (57.91m)

Luffing Boom Extensions

The following table provides the lengths available and the suggested quantity to obtain the maximum luffing boom in 10 ft (3.05m) increments. Midpoint pendants are not required.

Luffing Boom Extensions		Quantity For Max Luffing Boom
ft	m	
10*	3.05	1
20	6.10	1
30	9.14	1
40	12.19	1
50	15.24	2

* 10 ft (3.05m) extension is the self-assembly section. Required for luffer operation.

Note: “FE” type boom must be used.

- Rear hoist drum becomes luffing jib hoist
- Optional third drum provides second working hoist line, if required.
- Designed for self-assembly
- Luffing jib hoist bridle and bail can remain reeved for crane transport
- Job site mobility with attachment
- Rolled out or rolled under erection methods
- Compact transport module

Luffing Jib 80–160 ft (24.38–48.77m)

Basic Luffing Jib

80 ft (24.38m) five-piece design utilizes a 4 ft (1.12m) luffing boom top section, 10 ft (3.05m) luffing jib base section, 20 ft (6.10m) jib extension, 30 ft (6.10m) extension, and 20 ft (6.10m) top section with in-line connecting pins. Jib extensions are 60 in (1.52m) wide and 50 in (1.27m) deep at the centers.

- 42.5 Tons (38.56mt) maximum capacity
- Working lengths of 80 ft (24.38m) to 160 ft (48.77m)
- Top section includes mounting lugs for all attachment options

- Five 21 in (0.53m) diameter luffing jib steel head sheaves
- Pin-on nose wheel
- Ten-part luffing jib hoist
- 1 in (25.40mm) diameter type “N” pendants

Luffing Jib Extensions

The following table provides the lengths available and the suggested quantity to obtain the maximum luffing jib in 10 ft (3.05m) increments. Midpoint pendants are not required.

Luffing Jib Extensions		Quantity For Max Luffing Jib
ft	m	
10	3.05	1
20	6.10	1
30	9.14	1
40	12.19	1

Notes:

- These extensions, combined with extensions included in basic luffing jib, make up all jib lengths to 160 ft (48.77m).
- 50 ft (15.24m) of extensions are included with basic jib.
 - Deflector roller on top of each extension
 - Appropriate length pendants
 - Maximum luffing jib tip height of 350.8 ft (107m)

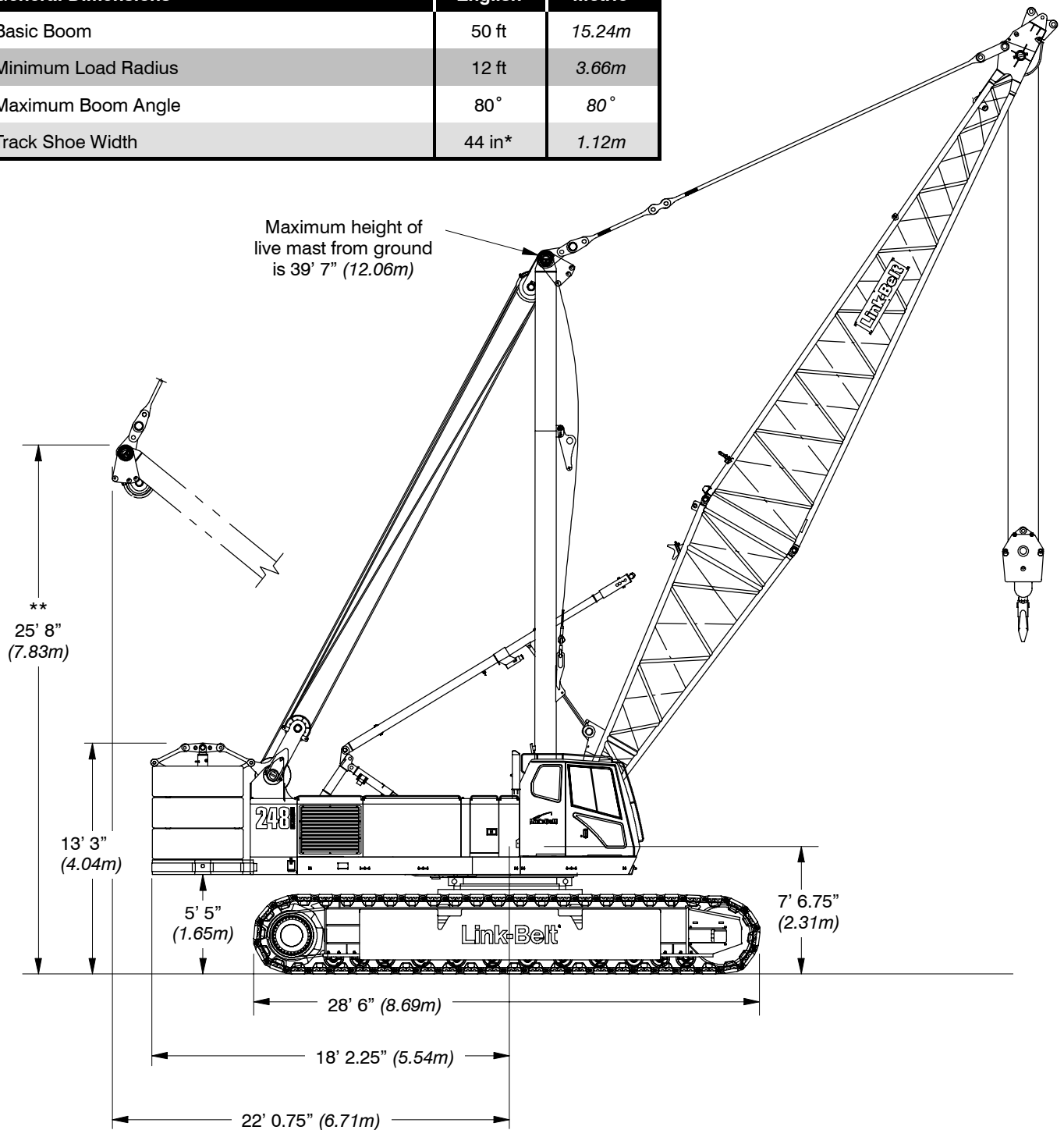
Fixed Jib 30 ft (9.14m)

30 ft (9.14m) two-piece design common with basic tube jib that utilizes a 15 ft (4.57m) base section and a 15 ft (4.57m) top section with in-line connecting pins on 32 in (0.81m) wide and 24 in (0.61m) deep centers.

- 2.25 in (57.15mm) diameter tubular chords
- One 21 in (0.53m) root diameter steel sheave mounted on sealed anti-friction bearings
- Fixed jib offset angle is 5°
- Maximum luffing jib + fixed jib tip height of 379.4 ft (115.6m)

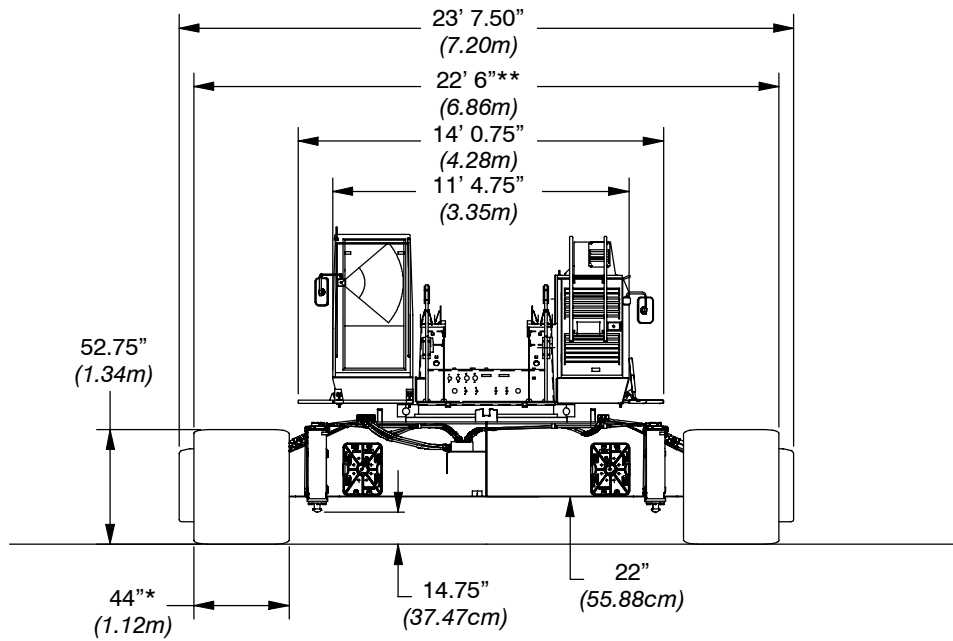
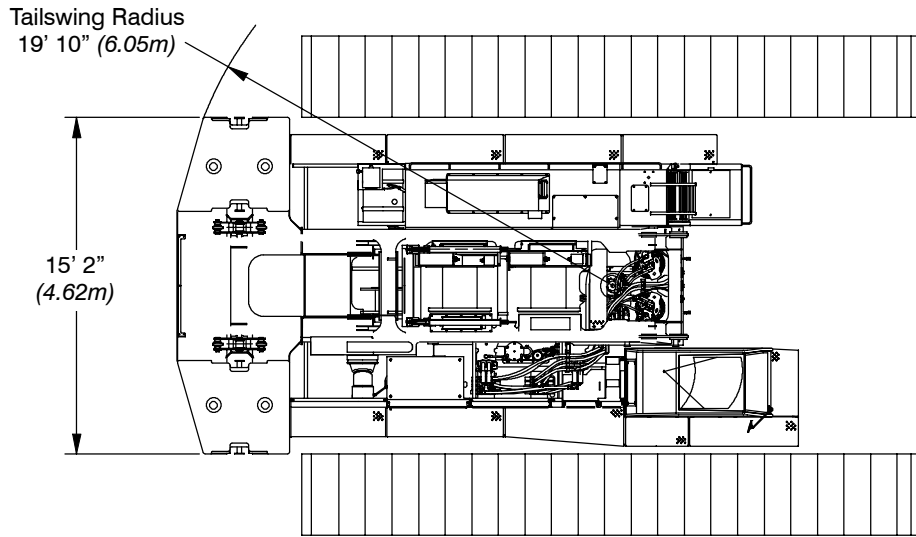
Dimensions

General Dimensions	English	Metric
Basic Boom	50 ft	15.24m
Minimum Load Radius	12 ft	3.66m
Maximum Boom Angle	80°	80°
Track Shoe Width	44 in*	1.12m



Note: * Optional – 50 in (1.27m) track shoe width

** @ Maximum boom angle (80°) with maximum boom [280 ft (85.34m)], maximum rotation radius occurs.



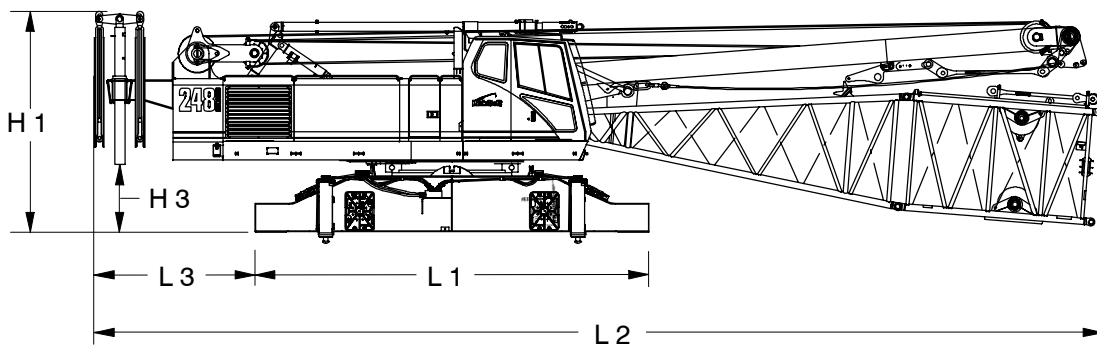
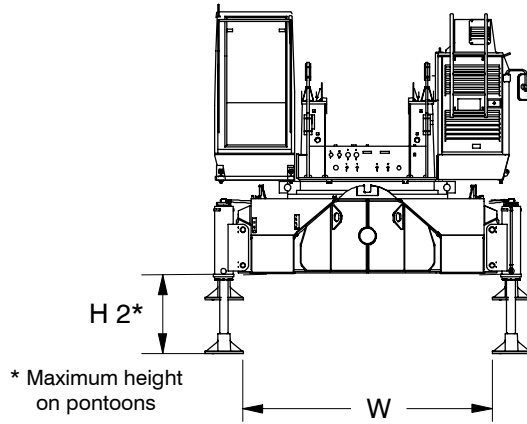
* Optional – 50" (1.27m)

** With 50" (1.27m) track shoes, dimension is 23' 0" (7.01m).

Base Crane

Base Crane ①

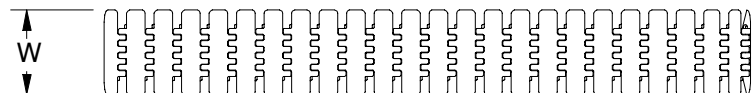
Length 1	20 ft 4 in	(6.20m)
Length 2	52 ft	(15.85m)
Length 3	8 ft 4 in	(2.54m)
Width	9 ft 1.50 in	(2.78m)
Height 1	11 ft 3 in	(3.43m)
Height 2	37.50 in	(0.95m)
Height 3	44.0 in	(1.12m)
Weight	83,332 lb	(37 799kg)



Side Frames

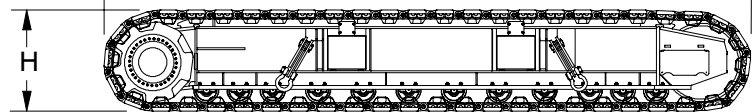
With 44 in (1.12m) Track Shoes ②

Length	28 ft 6 in	(8.69m)
Width	44 in	(1.12m)
Height	52.75 in	(1.34m)
Weight	36,410 lb	(16 515kg)



With 50 in (1.27m) Track Shoes ②

Length	28 ft 6 in	(8.69m)
Width	50 in	(1.27m)
Height	52.75 in	(1.34m)
Weight	37,610 lb	(17 060kg)

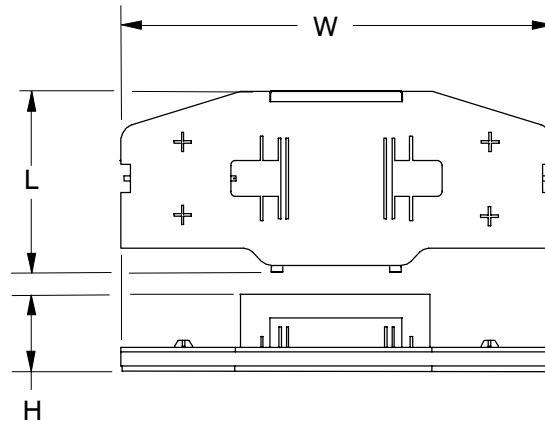


Number inside black circle “①” = # of components

Upper Counterweights

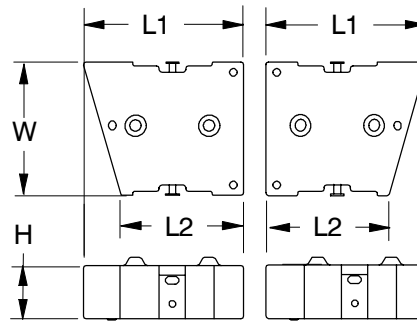
“A” Slab Counterweight ①

Length	5 ft 9.50 in	(1.77m)
Width	15 ft 2 in	(4.62m)
Height	32.25 in	(0.82m)
Weight	14,000 lb	(6 350kg)



“A”, “B”, “C”, and “D” (2 Each) Wing Counterweights ⑧

Length 1	61 in	(1.55m)
Length 2	46.50 in	(1.18m)
Width	50.75 in	(1.29m)
Height	20.25 in	(51.44cm)
Weight	13,000 lb	(5 897kg)

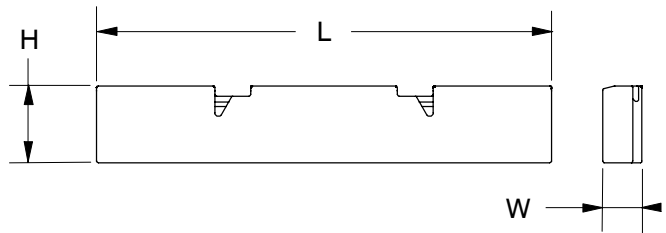


Lower Counterweights

Side Frame Counterweights With 44 in (1.12m) Track

Shoes ②

Length	16 ft 8 in	(5.08m)
Width	17.50 in	(44.45cm)
Height	33.75 in	(0.86m)
Weight	24,000 lb	(10 886kg)



Side Frame Counterweights With 50 in (1.27m) Track

Shoes ②

Length	16 ft	(4.88m)
Width	17.40 in	(44.20cm)
Height	31.10 in	(0.79m)
Weight	21,500 lb	(9 752kg)

Number inside black circle “①” = # of components

Boom/Luffing Boom

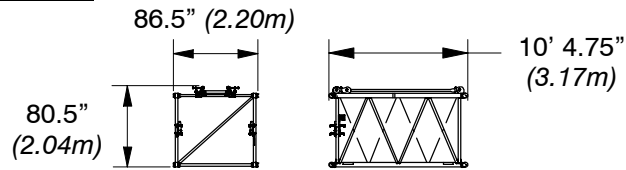
80 in (2.03m) x 86 in (2.18m)

Boom/Luffing Boom Extensions*

Weights Include Pendants and Hardware

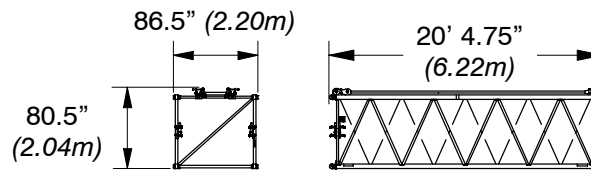
10 ft (3.05m) Extension

Weight: 1,151 lb (522kg)



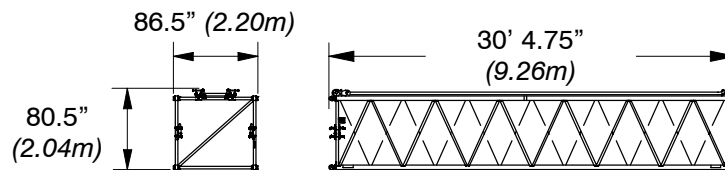
20 ft (6.10m) Extension

Weight: 1,862 lb (845kg)



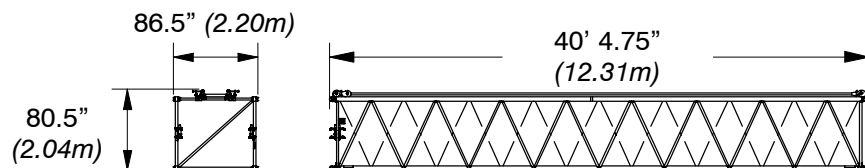
30 ft (9.14m) Extension

Weight: 2,590 lb (1 175kg)



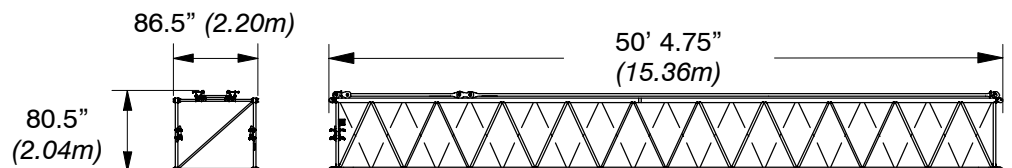
40 ft (12.19m) Extension

Weight: 3,292 lb (1 493kg)



50 ft (15.24m) Extension

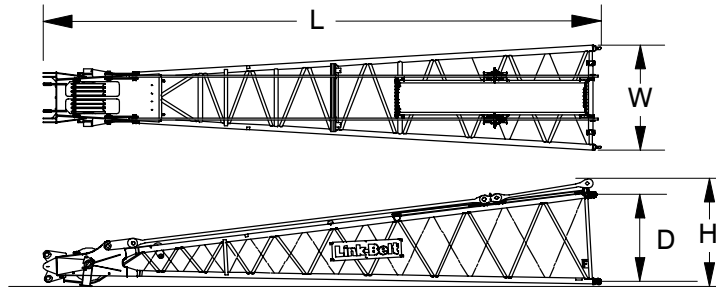
Weight: 4,149 lb (1 882kg)



* Standard, conventional boom uses bar pendants as shown. Bar pendants must be removed and replaced with wire rope pendants for luffing boom make-up.

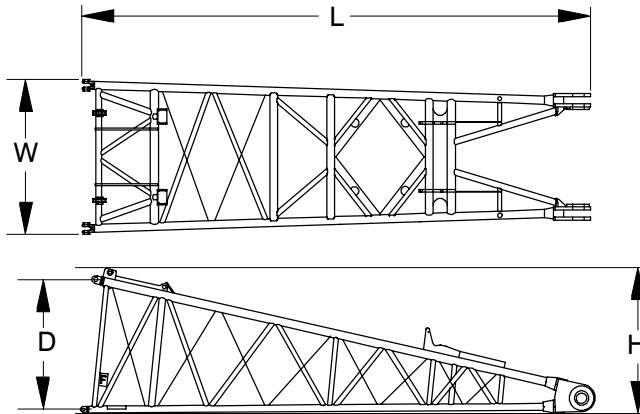
30 ft (9.14m) Boom Top Section ①

Length	32 ft 10 in	(10.01m)
Width	86.50 in	(2.20m)
Deep	68 in	(1.73m)
Height	80.50 in	(2.04m)
Weight	4,488 lb	(2 036kg)



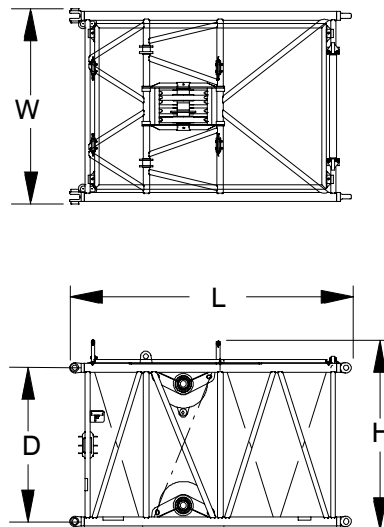
20 ft (6.10m) Boom Base Section ①

Length	20 ft 8 in	(6.30m)
Width	86.38 in	(2.19m)
Deep	68 in	(1.73m)
Height	76.40 in	(1.94m)
Weight Without 3rd Drum	4,479 lb	(2 032kg)
Weight With 3rd Drum & Wire Rope*	9,035 lb	(4 098kg)



10 ft (3.05m) Self Assembly Section* ①

Length	10 ft 4 in	(3.15m)
Width	86.50 in	(2.20m)
Deep	68.00 in	(1.73m)
Height	80.50 in	(2.04m)
Weight	2,422 lb	(1 099kg)

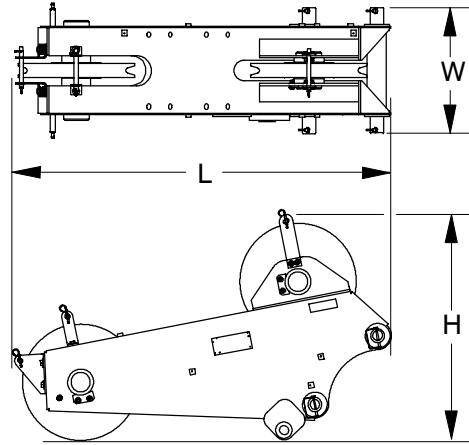


Number inside black circle “①” = # of components

* – Optional equipment

5 ft (1.52m) Auxiliary Tip Extension* ①

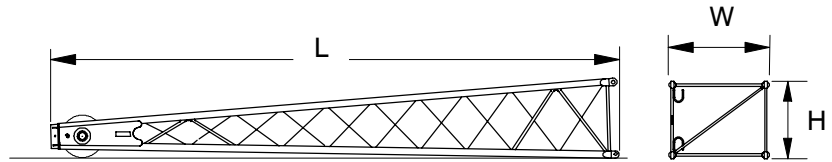
Length	70.35 in	(1.79m)
Width	24.50 in	(0.62m)
Height	42.91 in	(1.09m)
Weight	671 lb	(304kg)



Jib 15 ft (4.57m) Jib Top Section* ①

Length	16 ft 1.50 in	(4.91m)
Width	34.50 in	(0.88m)
Height	26.75 in	(0.68m)
Weight†	607 lb	(275kg)

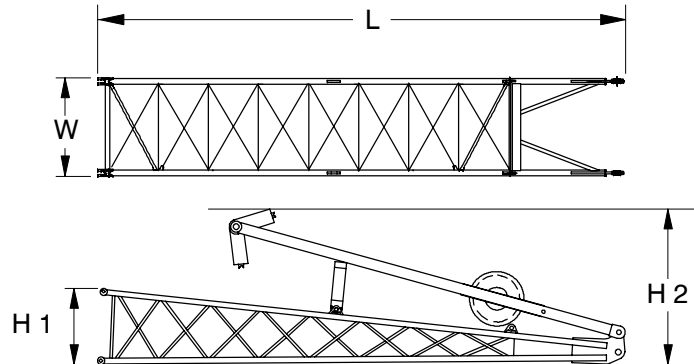
† Weight includes sheaves and hardware.



15 ft (4.57m) Jib Base Section* ①

Length	15 ft 3.50 in	(4.66m)
Width	34.50 in	(0.88m)
Height 1	26.75 in	(0.68m)
Height 2	54.50 in	(1.38m)
Weight†	1,602 lb	(727kg)

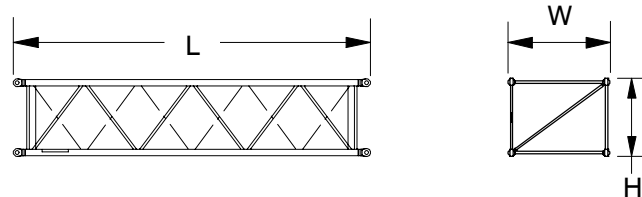
† Weight includes pins, basic frontstay & backstay pendants, and hardware.



10 ft (3.05m) Jib Extension* ①

Length	10 ft 2.75 in	(3.12m)
Width	34.50 in	(0.88m)
Height	26.75 in	(0.68m)
Weight†	254 lb	(115kg)

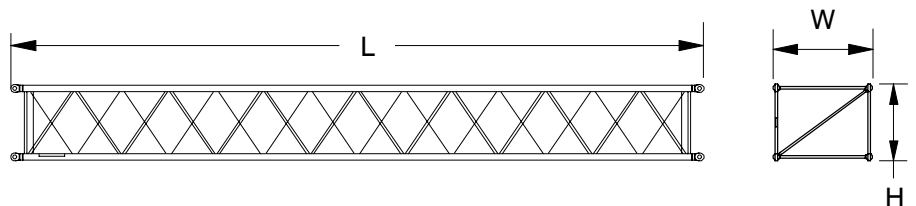
† Weights includes pins, pendants, and hardware.



20 ft (6.10m) Jib Extension* ①

Length	20 ft 2.75 in	(6.17m)
Width	34.50 in	(0.88m)
Height	26.75 in	(0.68m)
Weight†	439 lb	(199kg)

† Weights includes pins, pendants, and hardware.



Number inside black circle “①” = # of components

* – Optional equipment

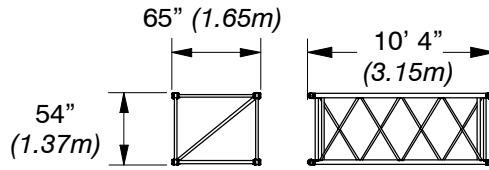
Luffing Jib

Luffing Jib Extensions*

Weights Include Pendants and Hardware

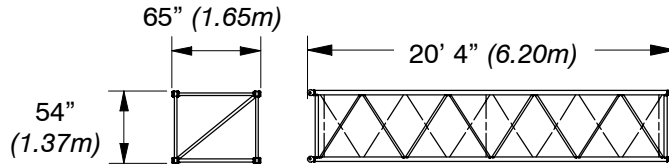
10 ft (3.05m) Extension

Weight: 550 lb (249kg)



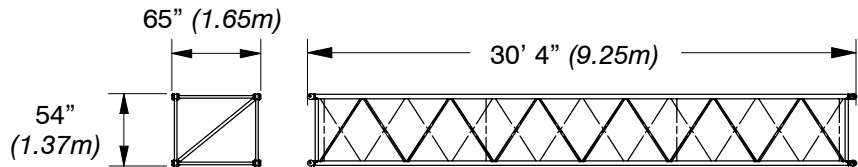
20 ft (6.10m) Extension

Weight: 1,100 lb (499kg)



30 ft (9.14m) Extension

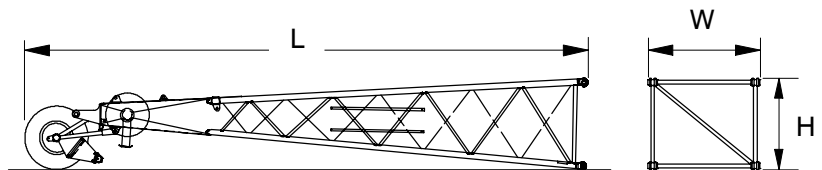
Weight: 1,650 lb (748kg)



20 ft (6.14m) Luffing Jib Top Section* ①

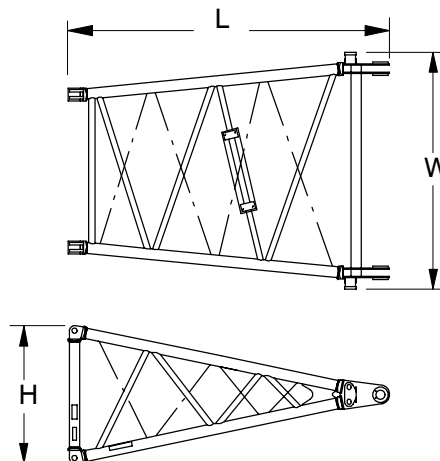
Length	24 ft 8.25 in	(7.52m)
Width	65.00 in	(1.65m)
Height	54.00 in	(1.37m)
Weight†	4,092 lb	(1 856kg)

† Weight includes pendants and hardware.



10 ft (3.05m) Luffing Jib Base Section* ①

Length	10 ft 7 in	(3.20m)
Width	94.00 in	(2.39m)
Height	54.00 in	(1.37m)
Weight†	920 lb	(417kg)



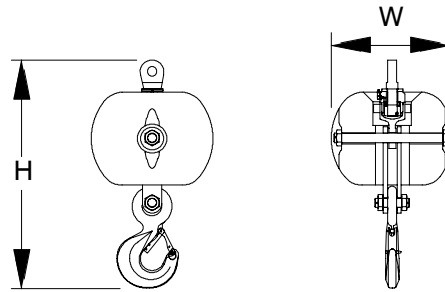
Number inside black circle “①” = # of components

* – Optional equipment

Hook Balls

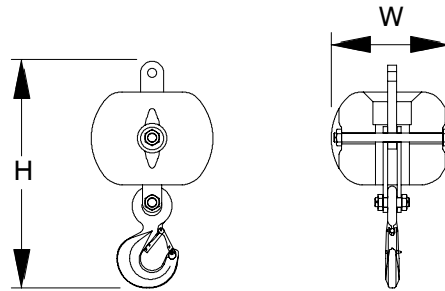
15 Ton (13.6mt) Swivel Hook Ball* ①

Width	21.75 in	(0.55m)
Height	40.50 in	(1.03m)
Weight	1,215 lb	(551kg)



15 Ton (13.6mt) Non-Swivel Hook Ball* ①

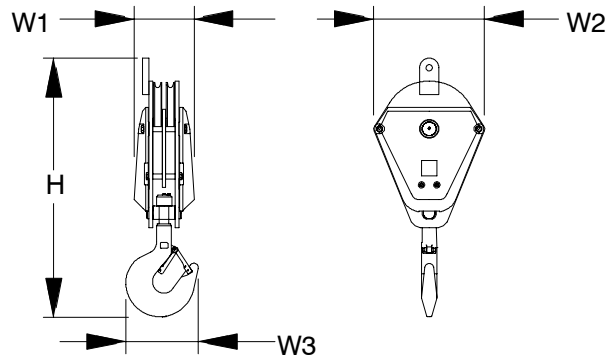
Width	21.75 in	(0.55m)
Height	39.75 in	(1.01m)
Weight	1,200 lb	(544kg)



Hook Blocks

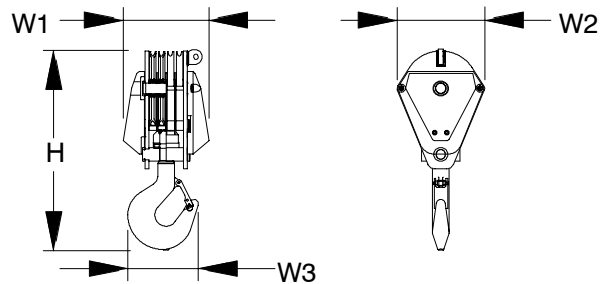
60 Ton (54.4mt) 2-Sheave Hook Block* ①

Width1	15.50 in	(0.39m)
Width2	28.75 in	(0.73m)
Width3	18.75 in	(0.48m)
Height	67.00 in	(1.70m)
Weight	1,650 lb	(747kg)



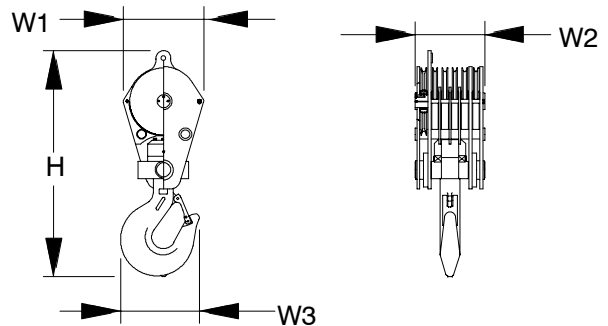
110 Ton (100.0mt) 4-Sheave Hook Block* ①

Width1	28.00 in	(0.71m)
Width2	28.75 in	(0.73m)
Width3	23.00 in	(0.58m)
Height	65.50 in	(1.66m)
Weight	3,000 lb	(1 361kg)



175 Ton (158.8mt) 6-Sheave Hook Block* ①

Width1	28.75 in	(0.73m)
Width2	23.50 in	(0.60m)
Width3	28.25 in	(0.72m)
Height	80.75 in	(2.05m)
Weight	3,000 lb	(1 361kg)



Number inside black circle “①” = # of components
 * – Optional equipment

Working Weights

Based on basic crane including Mitsubishi 6D24 – TLA2L diesel engine, turntable bearing, independent hydraulic powered drums, boom hoist limiting device, independent hydraulic swing and travel, counterweight, swing brake, drum rotation indicators, and crawler lower with 44 in (1.12m) wide track shoes, sealed track rollers, catwalks, hydraulic boom foot pin removal, plus the following:	Ctwt “A”	Ctwt “AB”	Ctwt “ABC” + “A” Lower Ctwt	Ctwt “ABCD” + “A” Lower Ctwt
	lb (kg)	lb (kg)	lb (kg)	lb (kg)
Lifting crane – includes 50 ft (15.24m) basic tubular boom, 30 ft (9.14m) live mast, 1,050 ft (320.04m) of 7/8 in (22mm) diameter wire rope, 850 ft (259.08m) of 7/8 in (22mm) diameter boom hoist rope, 125 Ton (113.4mt) hook block, and basic pendants.	198,217 (89 910)	224,217 (101 703)	298,217 (135 269)	324,217 (147 062)
Ground Bearing Pressure	psi	7.3	8.3	11.0
	kg/cm ²	0.51	0.58	0.77

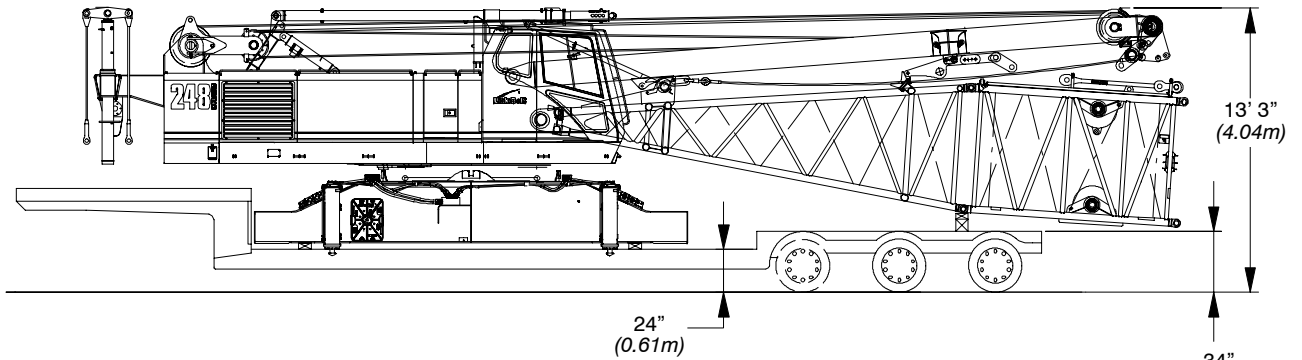
Transport Weights

Base Crane: Rigid boom backstops, 77 gal (291L) of fuel, catwalks (both sides), 30 ft (9.14m) live mast, bail, boom hoist rope, boom base section, 10 ft (3.05m) self-assembly section, 1,050 ft (320.04m) of type “LB” front hoist rope, and 850 ft (259.08m) of type “RB” rear hoist rope.

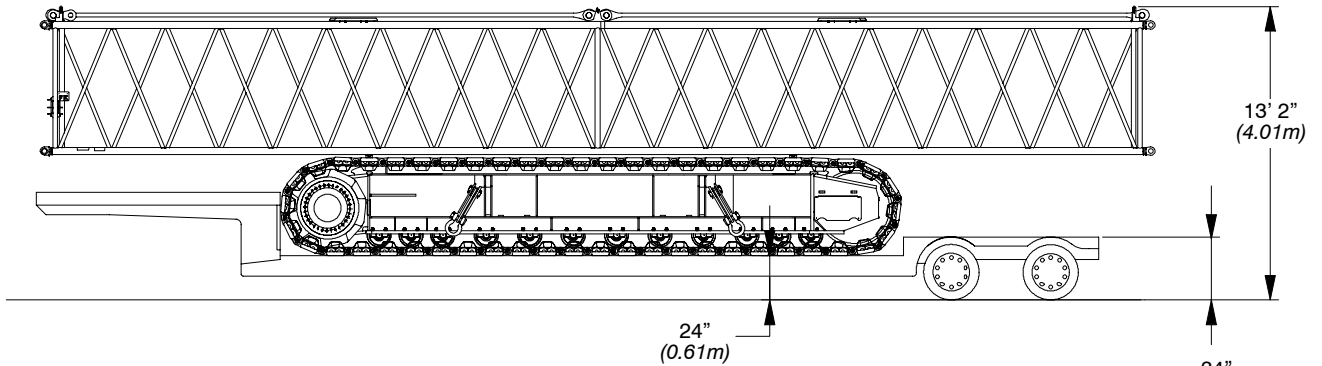
Item Description	Gross Weight		Transport Loads							
	lb	(kg)	#1	#2	#3	#4	#5	#6	#7	#8
Base Crane	83,332	37 799	1							
Add Side Frame with Wedge Packs – Two Required	36,410	16 515		1	1					
Add “A” Base Counterweight	14,000	6 350				1				
Add “A” Wing Counterweight – Two Required	13,000	5 897						1		1
Add “B” Wing Counterweight – Two Required	13,000	5 897						1		1
Add “C” Wing Counterweight – Two Required	13,000	5 897						1		1
Add “D” Wing Counterweight – Two Required	13,000	5 897							2	
Add “A” Lower Counterweight – Two Required	24,000	10 886				1	1			
Add Hydraulic Third Drum without Rope	2,000	907								
Add 30 ft (9.14m) Boom Top Section	4,488	2 036								1
Add 10 ft (3.05m) Extension w/Pins and Pendants	1,151	522								
Add 20 ft (6.10m) Extension w/Pins and Pendants	1,862	845					1			
Add 30 ft (9.14m) Extension w/Pins and Pendants	2,590	1 175				1	1			
Add 40 ft (12.19m) Extension w/Pins and Pendants	3,292	1 493						1		
Add 50 ft (15.24m) Extension w/Pins and Pendants	4,149	1 882		1	1					
Add 30 ft (9.14m) Basic Jib	2,209	1 002							1	
Add 10 ft (3.05m) Jib Extension w/Pins and Pendants	254	115							1	
Add 20 ft (6.10m) Jib Extension w/Pins and Pendants	439	199							3	
Add 5 ft (1.52m) Auxiliary Tip Extension	671	304								
Add 15 Ton (13.6mt) Hook Ball (Non-swivel)	1,200	544			1					
Add 15 Ton (13.6mt) Hook Ball (Swivel)	1,215	551								
Add 175 Ton (158.8mt) Six-sheave Hook Block	3,000	1 361		1						
Remove 10 ft (3.05m) Self-Assembly Section	2,422	1 099								
Remove 20 ft (6.10m) Boom Base Section	-4,479	-2 032								
Remove Main Hoist Rope	1,943	881								
Remove Rear Drum Auxiliary Wire Rope	-1,700	-771								
Remove 50 gal (189L) of Fuel	-362	-164								
Approximate Total Shipping Weight	lb	83,332	43,549	41,759	40,590	28,452	42,292	29,780	43,488	
	kg	37 799	19 753	18 942	18 411	12 905	19 183	13 507	19 726	

Notes:
 Estimated weights vary by +/- 2%. Numbers in the load columns (numbers 1 – 8) represent quantities.
 Estimated transport loads assume the load out consist of 280 ft (85.35m) of boom and 100 ft (33.48m) of jib and full counterweight.
 Support loads were targeted at 45,000 lb (20 412kg), 8.5 ft (2.59m) wide, and 48 ft (14.63m) long trailer. This may vary depending on state laws, empty truck/trailer weights, and style of trailer.

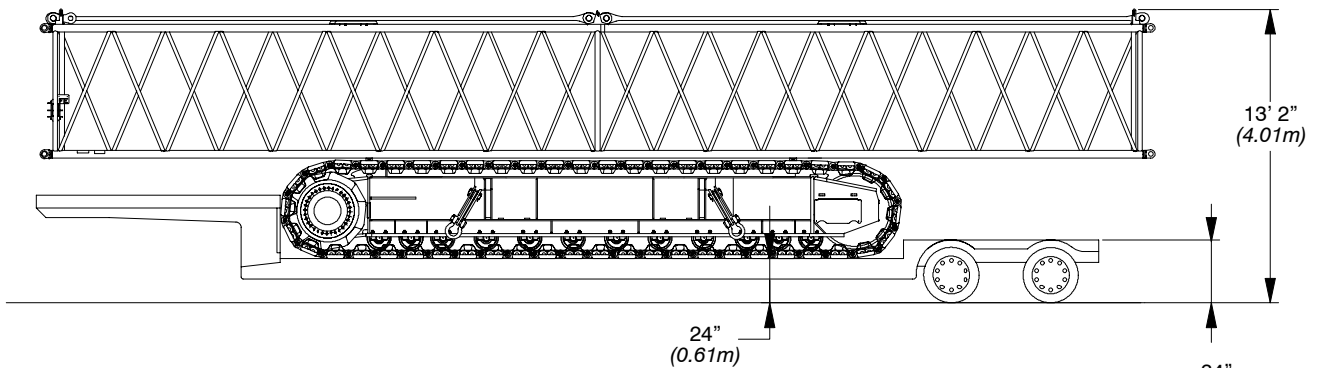
Crane Transport Drawings



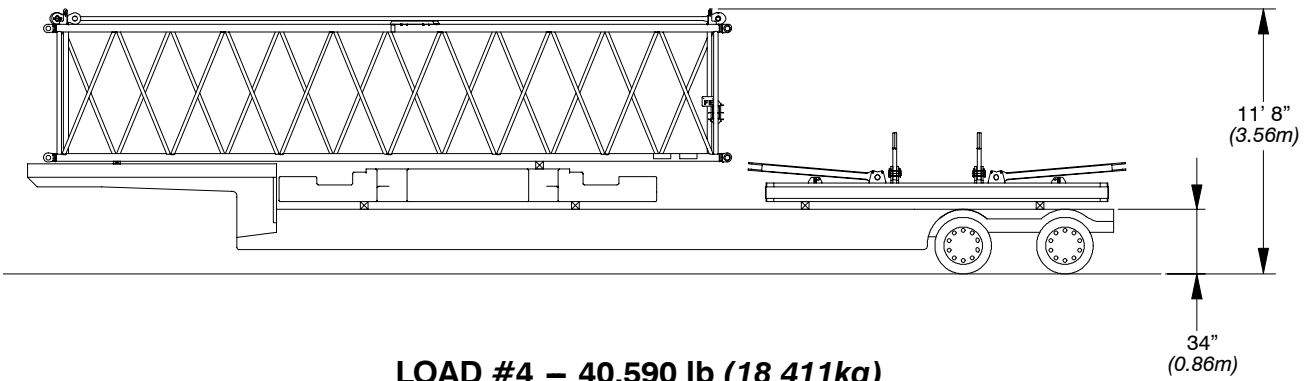
LOAD #1 – 83,332 lb (37 799kg)
Base crane



LOAD #2 – 43,549 lb (19 753kg)
Side frame with wedge pack, 50 ft (15.24m) boom extension with pins and pendants, and 175 Ton (158.8mt) hook block

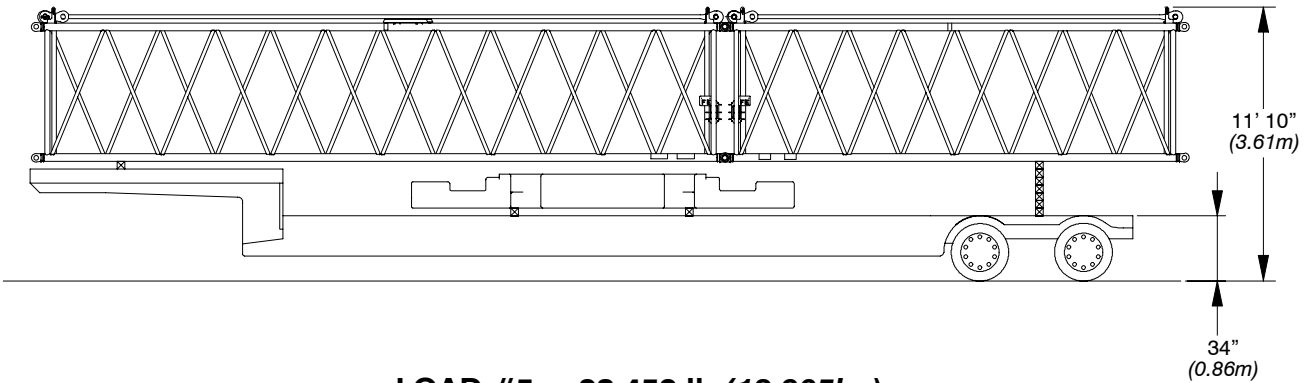


LOAD #3 – 41,759 lb (18 942kg)
Side frame with wedge pack, 50 ft (15.24m) boom extension with pins and pendants, and 15 Ton (13.6mt) hook ball



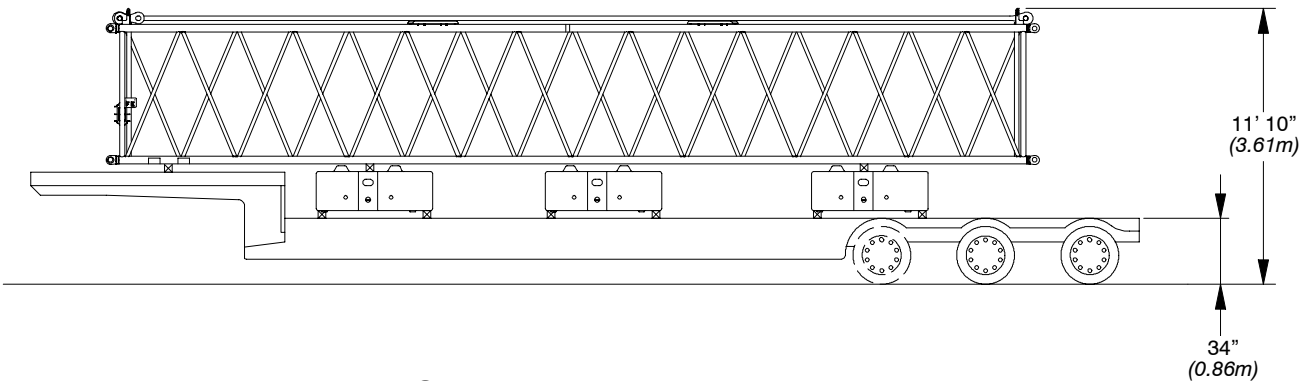
LOAD #4 – 40,590 lb (18 411kg)

“A” base counterweight, 1 of 2 lower counterweights, and 30 ft (9.14m) boom extension with pins and pendants



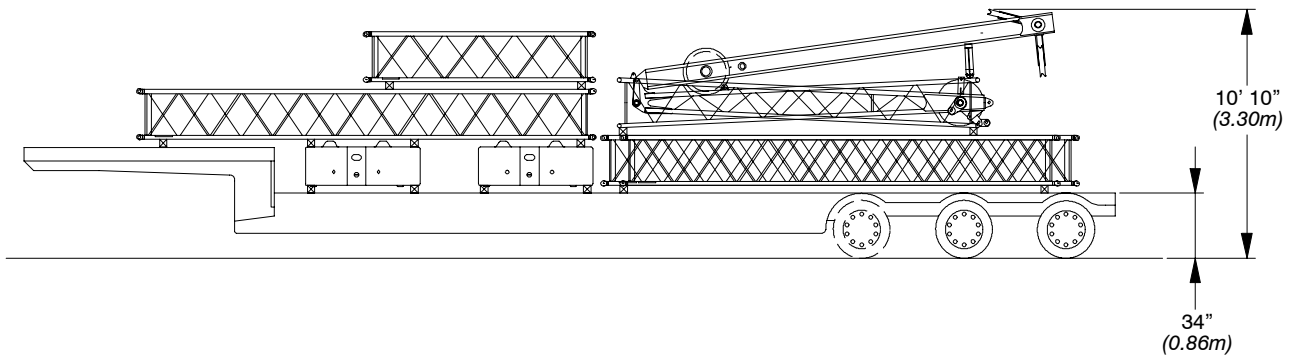
LOAD #5 – 28,452 lb (12 905kg)

1 of 2 lower counterweights, 20 ft (6.10m) boom extension with pins and pendants, and 30 ft (4.57m) boom extension with pins and pendants



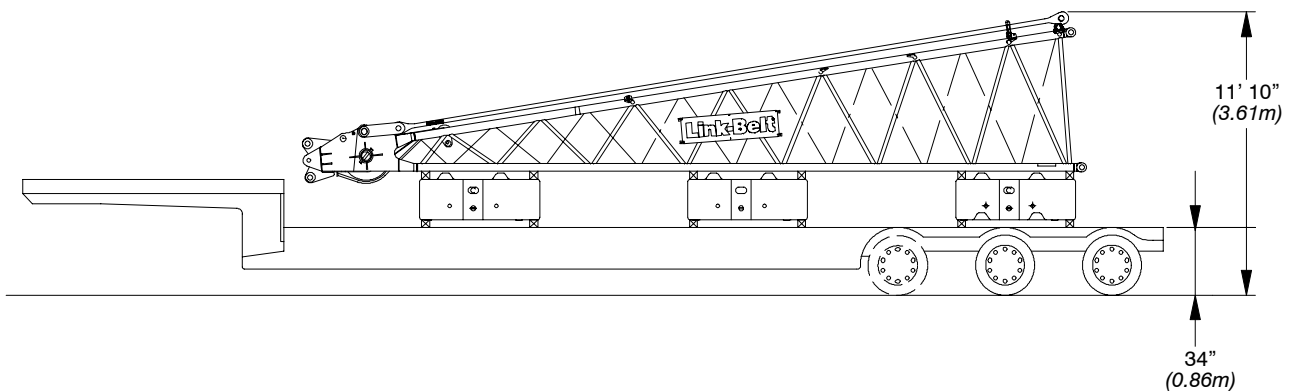
LOAD #6 – 42,292 lb (19 183kg)

“A” wing counterweight, “B” wing counterweight, “C” wing counterweight, and 40 ft (12.14m) boom extension with pins and pendants



LOAD #7 – 29,780 lb (13 507kg)

Two “D” wing counterweights, three 20 ft (6.10m) jib extensions,
30 ft (9.14m) basic jib, and 10 ft (3.05m) jib extension



LOAD #8 – 43,488 lb (19 726kg)

“A” wing counterweight, “B” wing counterweight, “C” wing
counterweight, and 30 ft (9.14m) top section with pins and pendants

Load Hoist Performance

Front Drum – 1 in (25.4mm) Wire Rope

Rope Layer	Maximum Line Pull	No Load Line Speed	Full Load Line Speed	Pitch Diameter	Layer	Total
	lb (kg)	ft/min (m/min)	ft/min (m/min)	in (mm)	ft (m)	ft (m)
1	52,000 (23 587)	223 (68)	71 (21.6)	20.0 (508)	110 (33.5)	110 (33.5)
2	47,272 (21 442)	245 (75)	78 (23.8)	22.0 (559)	120 (36.6)	230 (70.1)
3	43,333 (19 656)	268 (82)	85 (25.9)	24.0 (610)	130 (39.6)	360 (109.7)
4	40,000 (18 144)	290 (88)	92 (28.0)	26.0 (660)	140 (42.7)	500 (152.4)
5	37,143 (16 848)	312 (95)	100 (30.5)	28.0 (711)	150 (45.7)	650 (198.1)
6	34,666 (15 724)	335 (102)	107 (32.6)	30.0 (762)	160 (48.8)	810 (246.9)
7	32,500 (14 742)	357 (109)	114 (34.7)	32.0 (813)	170 (51.8)	980 (298.7)
8	---	---	---	34.0 (864)	180 (54.9)	1,160 (353.6)

Rear Drum – 1 in (25.4mm) Wire Rope

Rope Layer	Maximum Line Pull	No Load Line Speed	Full Load Line Speed	Pitch Diameter	Layer	Total
	lb (kg)	ft/min (m/min)	ft/min (m/min)	in (mm)	ft (m)	ft (m)
1	31,365 (14 227)	370 (113)	118 (36.0)	20.0 (508)	110 (33.5)	110 (33.5)
2	28,514 (12 934)	407 (124)	130 (39.6)	22.0 (559)	120 (36.6)	230 (70.1)
3	26,137 (11 856)	444 (135)	141 (43.0)	24.0 (610)	130 (39.6)	360 (109.7)
4	24,127 (10 944)	481 (147)	153 (46.6)	26.0 (660)	140 (42.7)	500 (152.4)
5	22,404 (10 162)	518 (158)	165 (50.3)	28.0 (711)	150 (45.7)	650 (198.1)
6	20,910 (9 485)	555 (169)	177 (53.9)	30.0 (762)	160 (48.8)	810 (246.9)
7	19,603 (8 892)	592 (180)	189 (57.6)	32.0 (813)	170 (51.8)	980 (298.7)
8	---	---	---	34.0 (864)	180 (54.9)	1,160 (353.6)

Boom Hoist Drum – 7/8 in (22.2mm) Wire Rope

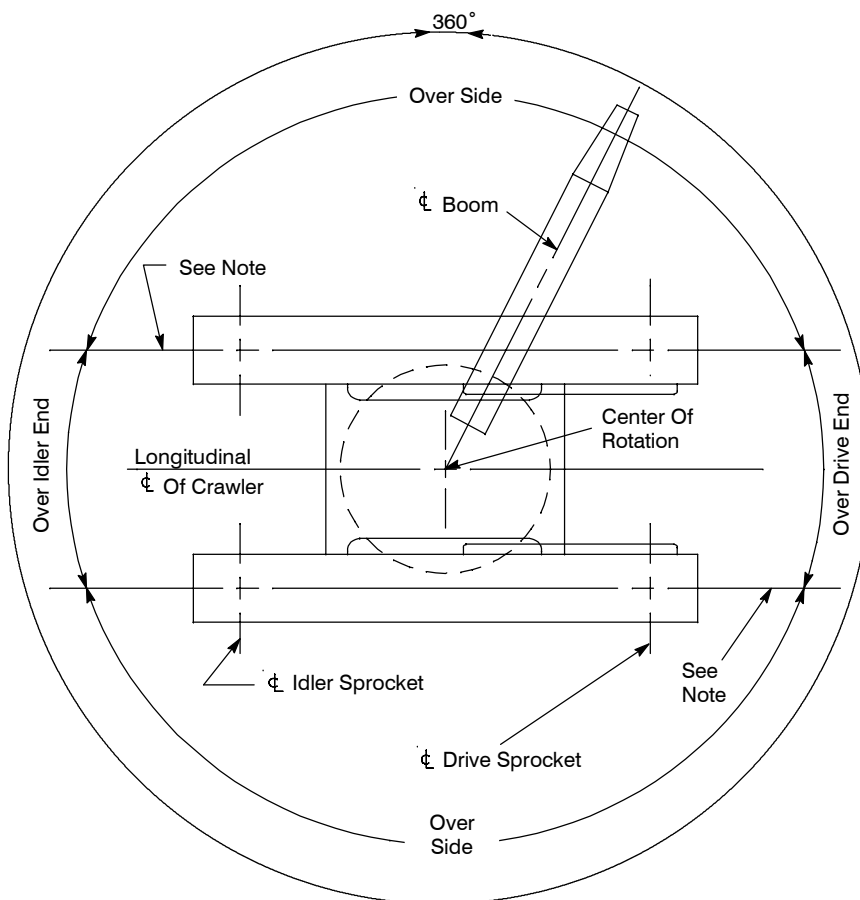
Rope Layer	Maximum Line Pull	No Load Line Speed	Full Load Line Speed	Pitch Diameter	Layer	Total
	lb (kg)	ft/min (m/min)	ft/min (m/min)	in (mm)	ft (m)	ft (m)
1	40,401 (18 326)	143 (43.6)	128 (39.0)	15.9 (404)	50 (15.2)	50 (15.2)
2	36,387 (16 505)	159 (48.5)	142 (43.3)	17.6 (447)	55 (16.8)	105 (32.0)
3	33,099 (15 013)	175 (53.3)	156 (47.5)	19.4 (493)	60 (18.3)	165 (50.3)
4	30,355 (13 769)	191 (58.2)	170 (51.8)	21.1 (536)	65 (19.8)	229 (69.8)
5	28,032 (12 715)	206 (62.8)	184 (56.1)	22.9 (582)	70 (21.3)	299 (91.1)
6	26,039 (11 811)	222 (67.7)	198 (60.4)	24.6 (625)	75 (22.9)	374 (114.0)
7	24,311 (11 027)	238 (72.5)	212 (64.6)	26.4 (671)	80 (24.4)	454 (138.4)

Third Drum – 1 in (25mm) Wire Rope

Rope Layer	Maximum Line Pull	No Load Line Speed	Full Load Line Speed	Pitch Diameter	Layer	Total
	lb (kg)	ft/min (m/min)	ft/min (m/min)	in (mm)	ft (m)	ft (m)
1	20,656 (9 369)	442 (135)	105 (32)	19.7 (500)	150 (45.8)	150 (45.8)
2	18,752 (8 506)	486 (148)	116 (35)	21.7 (551)	165 (50.4)	316 (96.2)
3	17,169 (7 788)	531 (162)	127 (39)	23.7 (602)	181 (55.1)	496 (151.3)
4	15,833 (7 182)	576 (176)	138 (42)	25.7 (653)	196 (59.7)	692 (211.0)
5	14,690 (6 663)	621 (189)	148 (45)	27.7 (704)	211 (64.4)	903 (275.3)
6	---	---	---	29.7 (754)	226 (68.9)	1,129 (344.1)

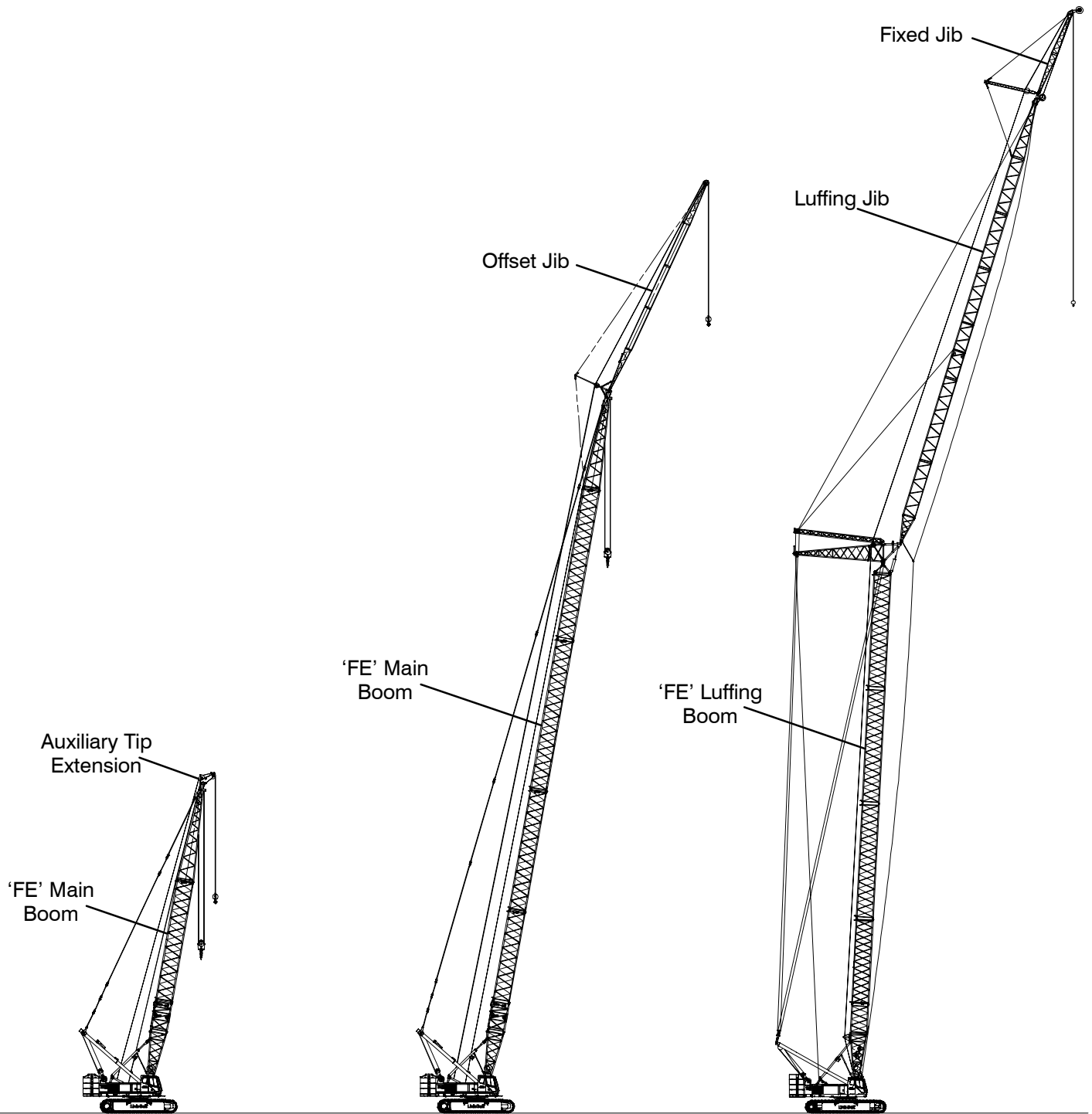
Wire Rope Application	Diameter		Type	Max. Permissible Load		Wire Rope Descriptions
	in	mm		lb	kg	
Boom Hoist	7/8	22.2	FC	28,900	13 109	6 Strand, Compacted Strand, Swaged, Preformed, I.W.R.C., Right Lay, Regular Lay
Front Drum	1	25.4	DB	22,700	10 297	6 X 26 (6 X 19 Class), Warrington Seale, E.I.P.S., Preformed, Right Regular Lay, I.W.R.C.
Third Drum (1–part)	1	25.4	RB	22,760	10 324	19 X 19 Rotation Resistant Compacted Strand – High Strength – Preformed, Right Regular Lay
Third Drum (2–parts)	1	25.4	RB	45,520	20 648	19 X 19 Rotation Resistant Compacted Strand – High Strength – Preformed, Right Regular Lay
Rear Drum	1	25.4	RB	22,760	10 324	19 X 19 Rotation Resistant Compacted Strand – High Strength – Preformed, Right Regular Lay

Working Areas



Note: These Lines Determine The Limiting Position Of Any Load For Operation Within Working Areas Indicated.

Attachments



**50–280 ft (15.24–83.34m)
Main Boom With 5 ft (1.5m)
Tip Extension**

**50–240 ft (15.24–73.15m)
Main Boom With 30–100 ft
(9.14–30.48m) Offset Jib**

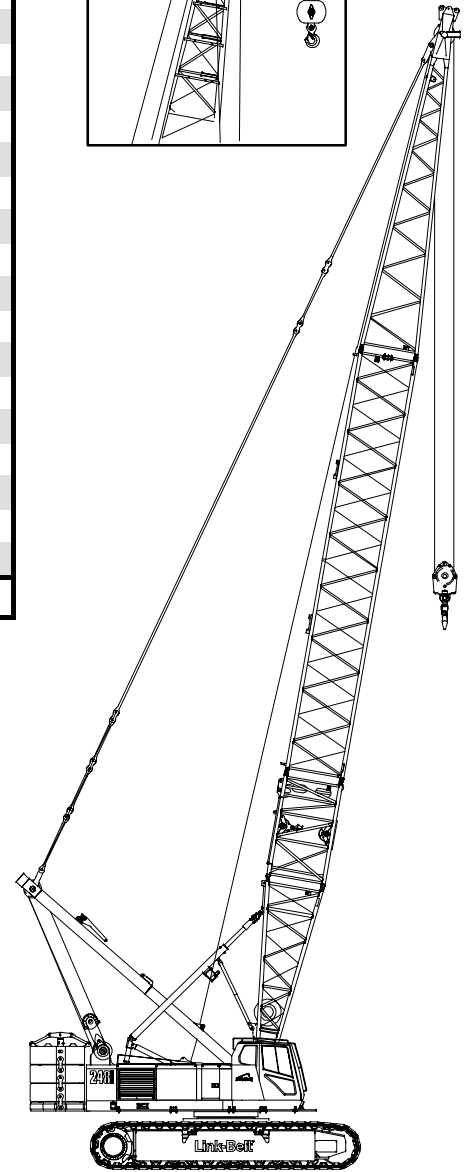
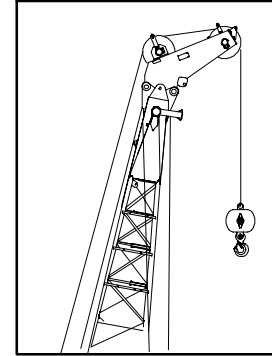
**80–190 ft (24.38–57.91m) Luffing Boom
+ 80–160 ft (24.38–48.77m) Luffing Jib
With 30 ft (9.14m) Fixed Jib**

Main Boom Make-up

Boom Length ft (m)	Base	Boom Extensions ft (m)						Top
	20 (6.14)	Self Assy Section*	10 (3.05)	20 (6.14)	30 (9.10)	40 (12.19)	50 (15.24)	30 (9.10)
50 (15.24)	1							1
60 (18.29)	1	1						1
70 (21.34)	1			1				1
80 (24.38)	1	1		1				1
90 (27.43)	1	1			1			1
100 (30.48)	1	1				1		1
110 (33.53)	1	1					1	1
120 (36.58)	1	1		1		1		1
130 (39.62)	1	1		1			1	1
140 (42.67)	1	1			1		1	1
150 (45.72)	1	1				1	1	1
160 (48.77)	1	1					2	1
170 (51.82)	1	1		1		1	1	1
180 (54.86)	1	1		1			2	1
190 (57.91)	1	1			1		2	1
200 (60.96)	1	1		1	1	1	1	1
210 (64.01)	1	1		1	1		2	1
220 (67.06)	1	1		1		1	2	1
230 (70.10)	1	1		1	2	1	1	1
240 (73.15)	1	1		1	2		2	1
250 (76.20)	1	1		1	1	1	2	1
260 (79.25)	1	1			2	1	2	1
270 (82.30)	1			1	2	1	2	1
280 (85.34)	1	1		1	2	1	2	1

* 10 ft (3.05m) self assembly section.

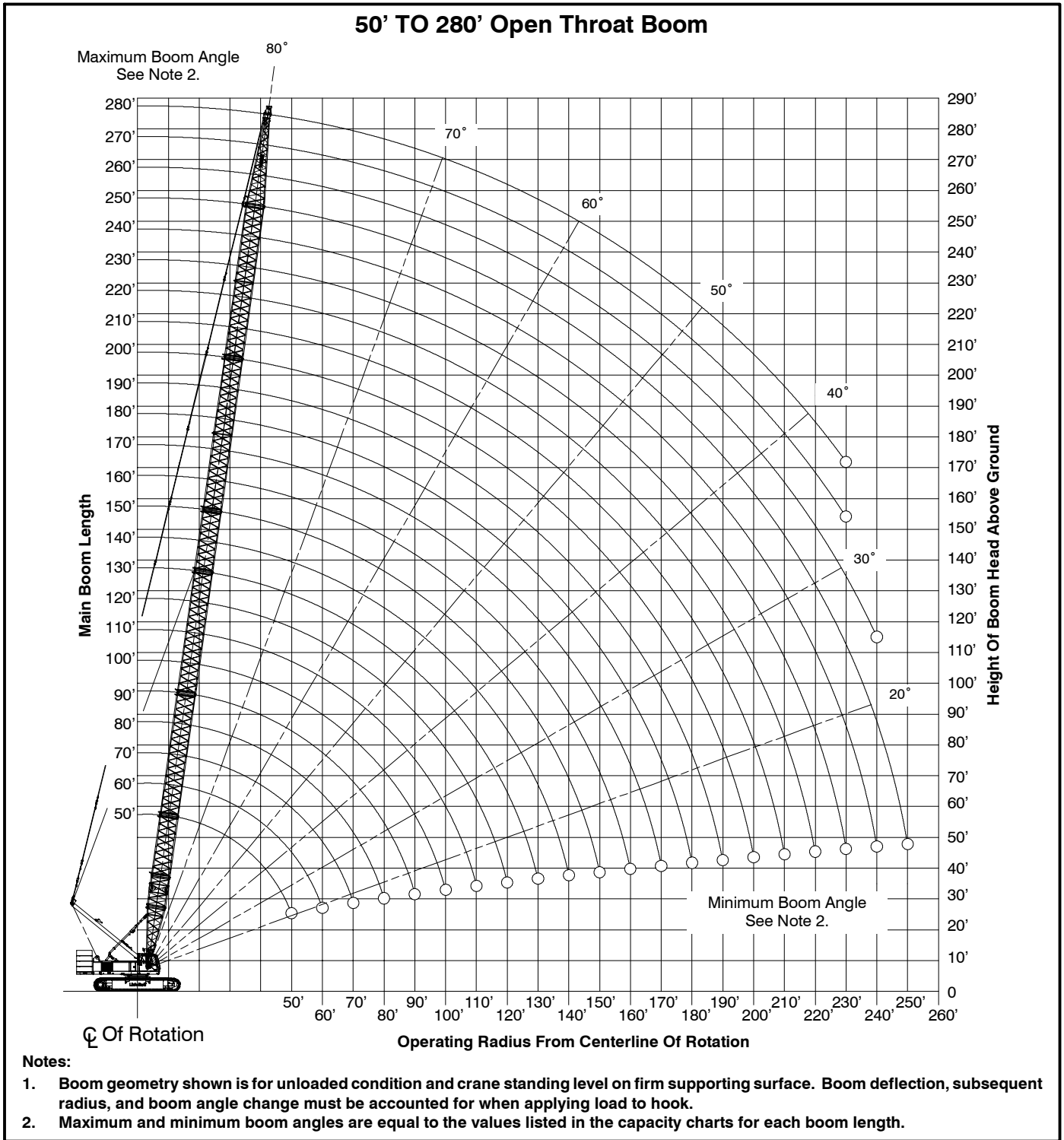
Optional 5 ft (1.5m)
Auxiliary Tip Extension



Notes:

- Capacities shown are in kips/metric tons (1 kip = 1,000 lb / 1 kip = 0.45 metric ton) and are not more than 75% of the tipping loads with the crane standing level on firm supporting surface. A deduction must be made from these capacities for weight of hook block, hook ball, sling, grapple, load weighing device, etc. When using main hook while jib or tip extension is attached, reduce capacities by values shown in Crane Rating Manual. See Operator's Manual for all limitations when raising or lowering attachment.
- The capacities in the shaded areas are based on structural strength. The capacities in the non-shaded areas are based on stability ratings.
- For recommended reeving, parts of line, wire rope type, and wire rope inspection, see Wire Rope Capacity Chart, Operator's Manual, and Parts Manual.
- Load ratings are based on freely suspended loads and make no allowances for such factors as the effect of the wind, ground conditions, and operating speeds. The operator shall therefore reduce load ratings in order to take these conditions into account. Refer to the Crane Rating Manual for Wind Speed Restrictions.
- The 30 ft (9.14m) live mast must be used for all capacities listed.
- The least stable rated condition is over the side.
- Booms must be erected and lowered over the end for maximum stability.
- Main boom length must not exceed 280 ft (85.34m).
- Do not operate at radii and boom lengths where the Crane Rating Manual lists no capacity. Do not use longer booms or jibs than those listed in the Crane Rating Manual. Any of the above can cause a tipping condition, or boom and jib failure.
- These capacities are in compliance with ASME/ANSI B30.5 at date of manufacture.
- These capacities apply only to the crane as originally manufactured and normally equipped by Link-Belt Construction Equipment Company.

Main Boom Working Range Diagram



Main Boom Load Charts

Main Boom Lift Capacity Chart – 360° Rotation													
[All capacities are listed in kips (mt)]													
Load Radius ft (m)	Boom Length ft (m)												
	ABC+A Cwt		ABCD+A Cwt										
	50 (15.2)	70 (21.3)	90 (27.4)	110 (33.5)	130 (39.6)	150 (45.7)	170 (51.8)	190 (57.9)	210 (64.0)	230 (67.1)	250 (76.2)	270 (82.3)	280 (85.3)
12.09 (3.7)	350.0 (158.7)												
13 (4.0)	350.0 (158.7)												
14 (4.3)	338.7 (153.6)	278.9 (126.5)											
15 (4.6)	317.7 (144.1)	274.5 (124.5)											
16 (4.9)	299.1 (135.6)	269.4 (122.2)	237.3 (107.6)										
17 (5.2)	282.6 (128.1)	264.3 (119.8)	232.1 (105.2)										
18 (5.5)	267.7 (121.4)	259.4 (117.6)	228.5 (103.6)										
19 (5.8)	254.3 (115.3)	253.7 (115.0)	225.6 (102.3)	198.6 (90.0)									
20 (6.1)	242.1 (109.8)	241.6 (109.5)	222.1 (100.7)	196.2 (89.0)									
25 (7.6)	194.4 (88.1)	194.8 (88.3)	199.0 (90.2)	183.9 (83.4)	163.5 (74.1)	144.1 (65.3)							
30 (9.1)	155.1 (70.3)	162.8 (73.8)	160.0 (72.5)	157.2 (71.3)	154.8 (70.2)	137.3 (62.2)	122.3 (55.4)	107.1 (48.5)					
35 (10.7)	128.2 (58.1)	131.1 (59.4)	133.6 (60.6)	131.2 (59.5)	129.1 (58.5)	127.3 (57.7)	115.8 (52.5)	102.8 (46.6)	83.9 (38.0)				
40 (12.2)	107.5 (48.7)	108.4 (49.1)	114.8 (52.0)	112.7 (51.1)	110.9 (50.3)	109.2 (49.5)	107.7 (48.8)	98.9 (44.8)	82.8 (37.5)	66.6 (30.2)	53.5 (24.2)		
50 (15.2)	69.8 (31.6)	79.9 (36.2)	88.4 (40.1)	86.9 (39.4)	85.5 (38.7)	84.0 (38.1)	82.7 (37.5)	81.4 (36.9)	80.2 (36.3)	65.4 (29.6)	52.2 (23.6)	43.0 (19.5)	39.3 (17.8)
60 (18.3)		62.7 (28.4)	70.4 (31.9)	69.2 (31.3)	68.0 (30.8)	66.7 (30.2)	65.5 (29.7)	64.4 (29.2)	63.2 (28.6)	58.8 (26.6)	47.6 (21.6)	39.5 (17.9)	35.9 (16.2)
70 (21.3)		51.1 (23.1)	58.7 (26.6)	58.1 (26.3)	57.1 (25.9)	56.0 (25.4)	54.9 (24.9)	53.8 (24.4)	52.7 (23.9)	51.7 (23.4)	43.5 (19.7)	35.6 (16.1)	32.3 (14.6)

This material is supplied for reference use only. Operator must refer to in-cab Crane Rating Manual and Operator's Manual to determine allowable crane lifting capacities and assembly and operating procedures.

Main Boom Lift Capacity Chart (Continued) – 360° Rotation

[All capacities are listed in kips (mt)]

Load Radius ft (m)	Boom Length ft (m)										
	ABCD+A Cwt										
	90 (27.4)	110 (33.5)	130 (39.6)	150 (45.7)	170 (51.8)	190 (57.9)	210 (64.0)	230 (67.1)	250 (76.2)	270 (82.3)	280 (85.3)
80 (24.4)	48.9 (22.1)	48.7 (22.0)	47.9 (21.7)	46.9 (21.2)	45.9 (20.8)	44.9 (20.3)	43.8 (19.8)	42.9 (19.4)	39.1 (17.7)	32.0 (14.5)	27.8 (12.6)
90 (27.4)		41.5 (18.8)	40.9 (18.5)	40.0 (18.1)	39.1 (17.7)	38.1 (17.2)	37.2 (16.8)	36.1 (16.3)	35.2 (15.9)	27.6 (12.5)	25.1 (11.3)
100 (30.5)		35.6 (16.1)	35.4 (16.0)	34.6 (15.7)	33.7 (15.2)	32.8 (14.8)	31.9 (14.4)	30.9 (14.0)	30.0 (13.6)	24.3 (11.0)	22.2 (10.0)
110 (33.5)		30.5 (13.8)	30.8 (13.9)	30.2 (13.7)	29.4 (13.3)	29.4 (13.3)	28.7 (13.0)	27.7 (12.5)	25.5 (11.5)	21.1 (9.5)	19.3 (8.7)
120 (36.6)			27.4 (12.4)	27.2 (12.3)	26.6 (12.0)	25.8 (11.7)	24.9 (11.3)	24.0 (10.8)	22.4 (10.1)	18.3 (8.3)	16.7 (7.5)
130 (39.6)			23.6 (10.7)	23.9 (10.8)	23.4 (10.6)	22.6 (10.2)	21.8 (9.8)	20.9 (9.4)	19.6 (8.9)	15.9 (7.2)	14.4 (6.5)
140 (42.7)				20.9 (9.4)	20.6 (9.3)	19.9 (9.0)	19.1 (8.6)	18.3 (8.3)	17.2 (7.8)	13.8 (6.2)	12.5 (5.6)
150 (45.7)				18.2 (8.2)	18.2 (8.2)	17.6 (7.9)	16.8 (7.6)	16.0 (7.2)	15.1 (6.8)	11.9 (5.4)	10.8 (4.9)
160 (48.8)					16.0 (7.2)	15.5 (7.0)	14.8 (6.7)	14.0 (6.3)	13.2 (5.9)	10.2 (4.6)	9.2 (4.1)
170 (51.8)					13.9 (6.3)	13.7 (6.2)	13.1 (5.9)	12.3 (5.5)	11.5 (5.2)	8.7 (3.9)	7.9 (3.5)
180 (54.9)						12.0 (5.4)	11.5 (5.2)	10.8 (4.9)	10.0 (4.5)	7.4 (3.3)	6.5 (2.9)
190 (57.9)						10.4 (4.7)	10.1 (4.5)	9.4 (4.2)	8.6 (3.9)	6.2 (2.8)	5.0 (2.2)
200 (61.0)							8.7 (3.9)	8.2 (3.7)	7.3 (3.3)	5.1 (2.3)	3.6 (1.6)
210 (64.0)							7.4 (3.3)	7.0 (3.1)	6.2 (2.8)	4.1 (1.8)	3.4 (1.5)
220 (67.1)								5.9 (2.6)	5.2 (2.3)	3.2 (1.4)	2.7 (1.2)
230 (70.1)								4.8 (2.1)	4.2 (1.9)	2.4 (1.0)	2.0 (0.9)
240 (73.2)									3.4 (1.5)		
250 (76.2)									2.5 (1.1)		

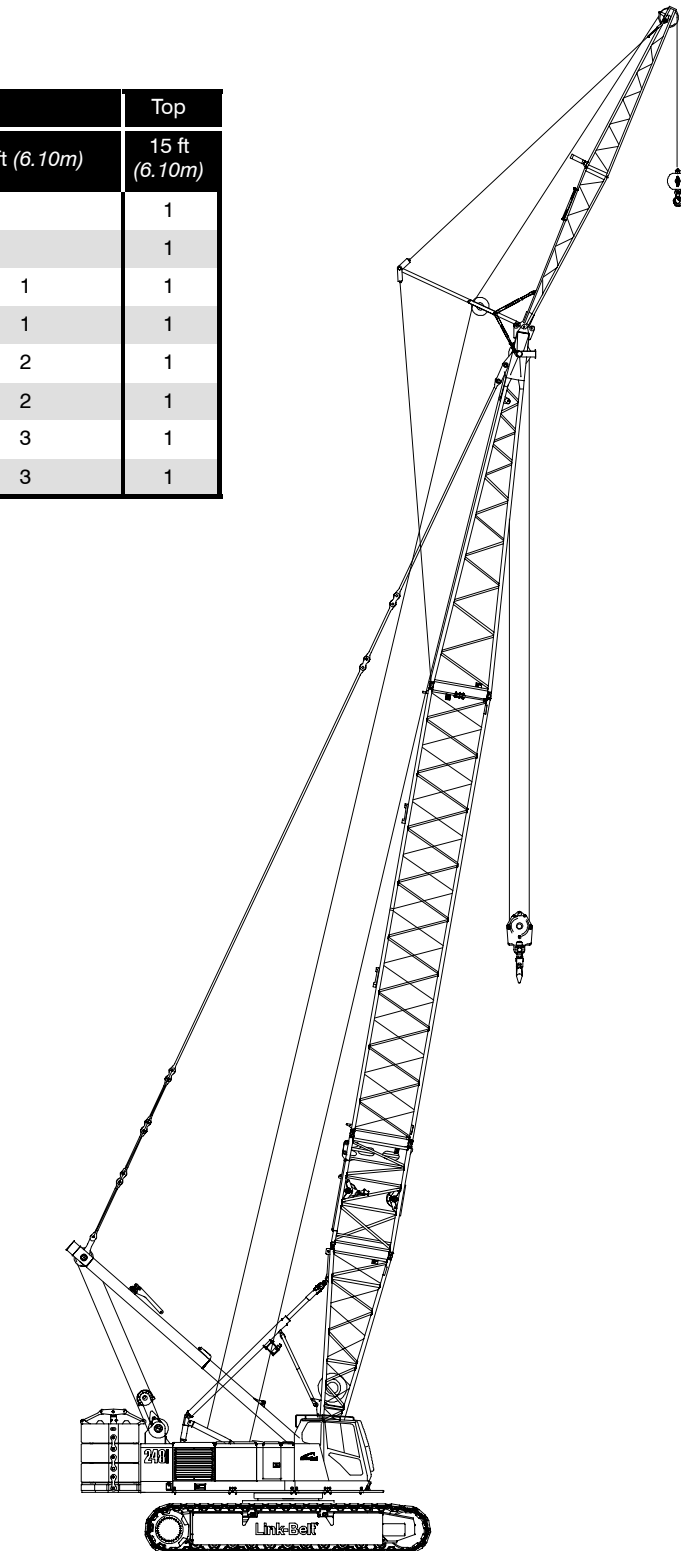
This material is supplied for reference use only. Operator must refer to in-cab Crane Rating Manual and Operator's Manual to determine allowable crane lifting capacities and assembly and operating procedures.

Jib Attachment Make-up

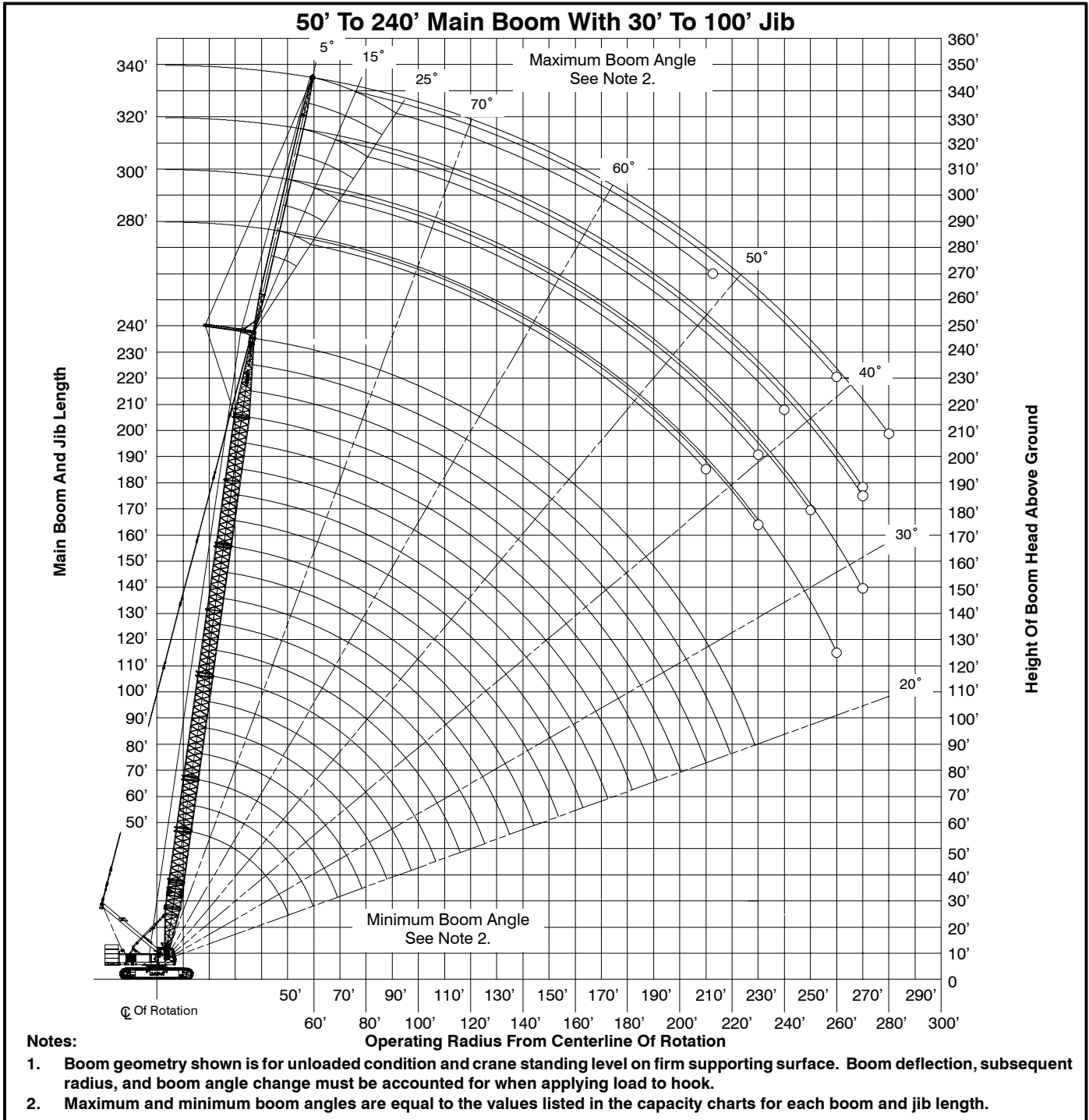
Jib Length ft (m)	Base	Jib Extensions		Top
	15 ft (6.10m)	10 ft (3.05m)	20 ft (6.10m)	15 ft (6.10m)
30 (9.15)	1			1
40 (12.19)	1	1		1
50 (15.24)	1		1	1
60 (18.29)	1	1	1	1
70 (21.34)	1		2	1
80 (24.38)	1	1	2	1
90 (27.43)	1		3	1
100 (30.48)	1	1	3	1

Notes:

- Capacities shown are in kips/metric tons (1 kip = 1,000 lb / 1 kip = 0.45 metric ton) and are not more than 75% of the tipping loads with the crane standing level on a firm supporting surface.
- A deduction must be made from these capacities for the weight of the main boom hook block or hook ball, jib hook block or hook ball, slings, grapples, load weighing devices, etc. When using main hook while jib is attached, reduce capacities by values shown in Crane Rating Manual. See Operator's Manual for all limitations when raising or lowering attachment.
- The capacities in the shaded areas are based on structural strength. The capacities in the non-shaded areas are based on stability ratings.
- Load ratings are based on freely suspended loads and make no allowances for such factors as the effect of the wind, ground conditions, and operating speeds. The operator shall therefore reduce load ratings in order to take these conditions into account. Refer to the Crane Rating Manual for Wind Speed Restrictions.
- These capacities are for ABC+A and ABCD+A.
- These capacities are for 360° working areas.
- These capacities are for 30–100 ft (9.15–30.48m) jib lengths only.
- The jib cannot be used on boom lengths over 240 ft (73.15m).
- The least stable rated condition is over the side.
- These capacities are in compliance with ASME/ANSI B30.5 at date of manufacture.
- These capacities apply only to the crane as originally manufactured and normally equipped by Link-Belt Construction Equipment Company.



Jib Attachment Working Range Diagram



Jib Attachment Load Charts

30 ft (9.14m) Offset Jib Length – 360° Rotation [All capacities are listed in kips (mt)]																	
5° Offset						15° Offset						25° Offset					
Load Radius ft (m)	Main Boom Length ft (m)					Load Radius ft (m)	Main Boom Length ft (m)					Load Radius ft (m)	Main Boom Length ft (m)				
	ABC+ A Cwt	ABCD+A Cwt					ABC+ A Cwt	ABCD+A Cwt					ABC+ A Cwt	ABCD+A Cwt			
	50 (15.2)	100 (30.5)	150 (45.7)	200 (61.0)	240 (73.2)		50 (15.2)	100 (30.5)	150 (45.7)	200 (61.0)	240 (73.2)		50 (15.2)	100 (30.5)	150 (45.7)	200 (61.0)	240 (73.2)
19 (5.8)	60.0 (27.2)					19 (5.8)						19 (5.8)					
20 (6.1)	60.0 (27.2)					20 (6.1)						20 (6.1)					
30 (9.1)	56.8 (25.7)	58.1 (26.3)				30 (9.1)	54.3 (24.6)	54.7 (24.8)				30 (9.1)	48.2 (21.8)				
40 (12.2)	54.0 (24.5)	56.1 (25.4)	54.7 (24.8)	50.5 (22.9)		40 (12.2)	50.4 (22.8)	53.1 (24.0)	51.8 (23.5)			40 (12.2)	40.0 (18.1)	47.3 (21.4)			
50 (15.2)	48.5 (22.0)	54.3 (24.6)	53.5 (24.2)	49.6 (22.5)	40.6 (18.4)	50 (15.2)	41.6 (18.8)	51.8 (23.5)	50.8 (23.0)	47.5 (21.5)	39.7 (18.0)	50 (15.2)	34.5 (15.6)	42.1 (19.1)	46.8 (21.2)	45.9 (20.8)	
60 (18.3)	39.8 (18.0)	52.8 (23.9)	52.4 (23.7)	48.7 (22.0)	39.5 (17.9)	60 (18.3)	35.7 (16.2)	49.0 (22.2)	50.0 (22.6)	46.7 (21.1)	38.5 (17.4)	60 (18.3)	32.3 (14.6)	38.1 (17.2)	43.0 (19.5)	45.2 (20.5)	36.2 (16.4)
70 (21.3)	33.9 (15.3)	51.5 (23.3)	51.4 (23.3)	47.9 (21.7)	38.5 (17.4)	70 (21.3)	32.4 (14.7)	43.5 (19.7)	49.2 (22.3)	46.0 (20.8)	37.3 (16.9)	70 (21.3)		34.9 (15.8)	39.8 (18.0)	43.4 (19.6)	35.1 (15.9)
80 (24.4)		46.5 (21.1)	47.0 (21.3)	43.9 (19.9)	37.5 (17.0)	80 (24.4)		39.2 (17.7)	47.5 (21.5)	44.6 (20.2)	36.3 (16.4)	80 (24.4)		32.3 (14.6)	37.2 (16.8)	40.8 (18.5)	34.0 (15.4)
90 (27.4)		41.1 (18.6)	39.9 (18.1)	37.0 (16.7)	34.7 (15.7)	90 (27.4)		35.8 (16.2)	40.4 (18.3)	37.6 (17.0)	35.3 (16.0)	90 (27.4)		32.3 (14.6)	34.9 (15.8)	38.1 (17.2)	33.1 (15.0)
100 (30.5)		37.0 (16.7)	34.4 (15.6)	32.0 (14.5)	31.5 (14.2)	100 (30.5)		33.1 (15.0)	34.8 (15.7)	32.0 (14.5)	31.9 (14.4)	100 (30.5)		31.8 (14.4)	33.0 (14.9)	32.5 (14.7)	30.4 (13.7)
120 (36.6)		29.3 (13.3)	27.5 (12.4)	25.0 (11.3)	22.9 (10.3)	120 (36.6)			27.9 (12.6)	25.4 (11.5)	23.4 (10.6)	120 (36.6)			28.2 (12.8)	25.8 (11.7)	23.9 (10.8)
140 (42.7)			21.3 (9.6)	19.0 (8.6)	17.0 (7.7)	140 (42.7)			21.6 (9.8)	19.3 (8.7)	17.4 (7.9)	140 (42.7)				19.6 (8.9)	17.7 (8.0)
160 (48.8)			16.7 (7.5)	14.6 (6.6)	12.6 (5.7)	160 (48.8)				14.9 (6.7)	13.0 (5.9)	160 (48.8)				15.1 (6.8)	13.3 (6.0)
180 (54.9)				11.2 (5.0)	9.3 (4.2)	180 (54.9)				11.4 (5.1)	9.6 (4.3)	180 (54.9)					9.8 (4.4)
200 (61.0)				8.5 (3.8)	6.7 (3.0)	200 (61.0)					6.9 (3.1)	200 (61.0)					7.1 (3.2)
220 (67.1)				4.6 (2.0)		220 (67.1)					4.8 (2.1)	220 (67.1)					
240 (73.2)				2.8 (1.2)		240 (73.2)						240 (73.2)					

This material is supplied for reference use only. Operator must refer to in-cab Crane Rating Manual and Operator's Manual to determine allowable crane lifting capacities and assembly and operating procedures.

60 ft (18.3m) Offset Jib Length – 360° Rotation [All capacities are listed in kips (mt)]																	
5° Offset						15° Offset						25° Offset					
Load Radius ft (m)	Main Boom Length ft (m)					Load Radius ft (m)	Main Boom Length ft (m)					Load Radius ft (m)	Main Boom Length ft (m)				
	ABC+A Cwt	ABCD+A Cwt					ABC+A Cwt	ABCD+A Cwt					ABC+A Cwt	ABCD+A Cwt			
	50 (15.2)	100 (30.5)	150 (45.7)	200 (61.0)	240 (73.2)		50 (15.2)	100 (30.5)	150 (45.7)	200 (61.0)	240 (73.2)		50 (15.2)	100 (30.5)	150 (45.7)	200 (61.0)	240 (73.2)
30 (9.1)	34.7 (15.7)					30 (9.1)						30 (9.1)					
40 (12.2)	30.9 (14.0)	31.5 (14.2)	30.8 (13.9)			40 (12.2)	29.6 (13.4)					40 (12.2)					
50 (15.2)	29.5 (13.3)	30.5 (13.8)	30.1 (13.6)	28.6 (12.9)		50 (15.2)	28.4 (12.8)	28.9 (13.1)	28.5 (12.9)			50 (15.2)	22.2 (10.0)				
60 (18.3)	28.3 (12.8)	29.6 (13.4)	29.5 (13.3)	28.1 (12.7)	26.3 (11.2)	60 (18.3)	24.2 (10.9)	28.1 (12.7)	27.9 (12.6)	26.8 (12.1)		60 (18.3)	19.3 (8.7)	22.1 (10.0)	24.0 (10.8)		
70 (21.3)	25.4 (11.5)	28.7 (13.0)	28.8 (13.0)	27.7 (12.5)	25.8 (11.7)	70 (21.3)	21.0 (9.5)	26.7 (12.1)	27.4 (12.4)	26.3 (11.9)	24.8 (11.2)	70 (21.3)	17.1 (7.7)	20.1 (9.1)	22.1 (10.0)	23.5 (10.6)	21.9 (9.9)
80 (24.4)	22.0 (9.9)	28.0 (12.7)	28.2 (12.8)	27.2 (12.3)	25.4 (11.5)	80 (24.4)	18.5 (8.4)	23.9 (10.8)	26.9 (12.2)	25.9 (11.7)	24.4 (11.0)	80 (24.4)	15.4 (6.9)	18.4 (8.3)	20.5 (9.3)	22.0 (9.9)	21.5 (9.7)
90 (27.4)	19.3 (8.7)	27.3 (12.3)	27.7 (12.5)	26.8 (12.1)	25.0 (11.3)	90 (27.4)	16.6 (7.5)	21.7 (9.8)	25.7 (11.6)	25.6 (11.6)	24.0 (10.8)	90 (27.4)	14.0 (6.3)	17.0 (7.7)	19.1 (8.6)	20.7 (9.3)	21.1 (9.5)
100 (30.5)	17.3 (7.8)	24.8 (11.2)	27.2 (12.3)	26.4 (11.9)	24.6 (11.1)	100 (30.5)	15.2 (6.9)	19.8 (8.9)	23.7 (10.7)	25.2 (11.4)	23.6 (10.7)	100 (30.5)		15.8 (7.1)	17.9 (8.1)	19.5 (8.8)	20.5 (9.3)
120 (36.6)		20.5 (9.3)	26.2 (11.8)	25.6 (11.6)	23.8 (10.8)	120 (36.6)		17.0 (7.7)	20.5 (9.3)	23.5 (10.6)	23.0 (10.4)	120 (36.6)		14.0 (6.3)	16.0 (7.2)	17.6 (7.9)	18.7 (8.4)
140 (42.7)		17.5 (7.9)	22.5 (10.2)	19.9 (9.0)	17.9 (8.1)	140 (42.7)		15.0 (6.8)	18.1 (8.2)	20.6 (9.3)	18.7 (8.4)	140 (42.7)			14.6 (6.6)	16.1 (7.3)	17.1 (7.7)
160 (48.8)			18.0 (8.1)	15.5 (7.0)	13.5 (6.1)	160 (48.8)			16.3 (7.4)	16.1 (7.3)	14.2 (6.4)	160 (48.8)			13.5 (6.1)	14.9 (6.7)	14.8 (6.7)
180 (54.9)			14.4 (6.5)	12.2 (5.5)	10.2 (4.6)	180 (54.9)			14.7 (6.6)	12.6 (5.7)	10.8 (4.9)	180 (54.9)				13.0 (5.9)	11.3 (5.1)
200 (61.0)				9.5 (4.3)	7.6 (3.4)	200 (61.0)				9.9 (4.5)	8.1 (3.6)	200 (61.0)				10.2 (4.6)	8.5 (3.8)
220 (67.1)				7.3 (3.3)	5.5 (2.5)	220 (67.1)				7.6 (3.4)	5.9 (2.6)	220 (67.1)					6.2 (2.8)
240 (73.2)				5.5 (2.5)	3.7 (1.6)	240 (73.2)					4.0 (1.8)	240 (73.2)					
260 (79.2)					2.2 (1.0)	260 (79.2)						260 (79.2)					

This material is supplied for reference use only. Operator must refer to in-cab Crane Rating Manual and Operator's Manual to determine allowable crane lifting capacities and assembly and operating procedures.

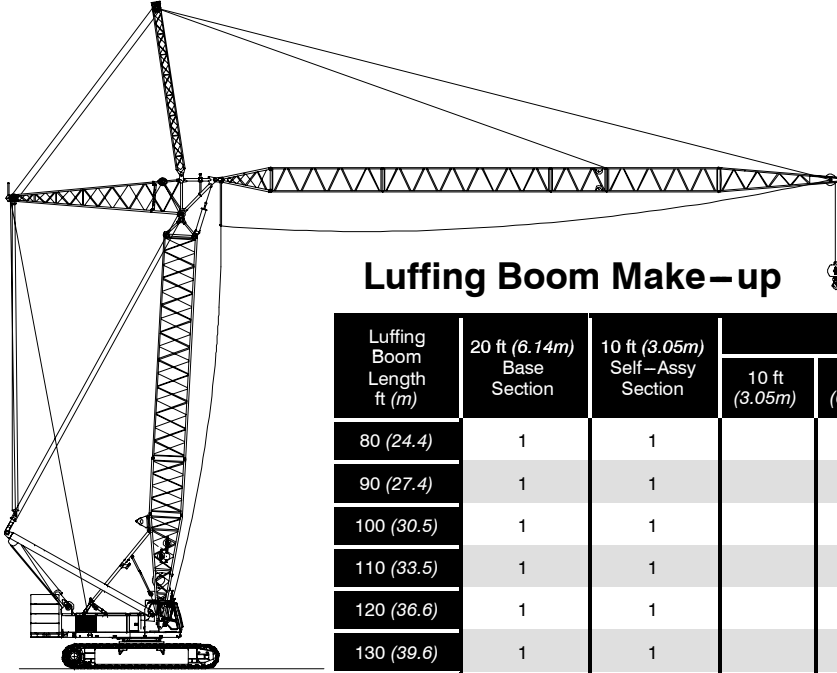
80 ft (24.4m) Offset Jib Length – 360° Rotation [All capacities are listed in kips (mt)]																	
5° Offset						15° Offset						25° Offset					
Load Radius ft (m)	Main Boom Length ft (m)					Load Radius ft (m)	Main Boom Length ft (m)					Load Radius ft (m)	Main Boom Length ft (m)				
	ABC+ A Cwt	ABCD+A Cwt					ABC+ A Cwt	ABCD+A Cwt					ABC+ A Cwt	ABCD+A Cwt			
	50 (15.2)	100 (30.5)	150 (45.7)	200 (61.0)	240 (73.2)		50 (15.2)	100 (30.5)	150 (45.7)	200 (61.0)	240 (73.2)		50 (15.2)	100 (30.5)	150 (45.7)	200 (61.0)	240 (73.2)
30 (9.1)	24.6 (11.1)					30 (9.1)						30 (9.1)					
40 (12.2)	23.6 (10.7)	23.6 (10.7)				40 (12.2)						40 (12.2)					
50 (15.2)	22.6 (10.2)	23.0 (10.4)	22.5 (10.2)	21.1 (9.5)		50 (15.2)	21.8 (9.8)	21.9 (9.9)				50 (15.2)					
60 (18.3)	21.7 (9.8)	22.4 (10.1)	22.2 (10.0)	21.0 (9.5)	19.5 (8.8)	60 (18.3)	19.5 (8.8)	21.4 (9.7)	21.1 (9.5)			60 (18.3)	15.3 (6.9)				
70 (21.3)	20.6 (9.3)	21.8 (9.8)	21.8 (9.8)	20.9 (9.4)	19.4 (8.8)	70 (21.3)	16.9 (7.6)	20.4 (9.2)	20.7 (9.3)	20.1 (9.1)	18.9 (8.5)	70 (21.3)	13.4 (6.0)	15.1 (6.8)	16.1 (7.3)		
80 (24.4)	17.9 (8.1)	21.2 (9.6)	21.4 (9.7)	20.7 (9.3)	19.2 (8.7)	80 (24.4)	14.8 (6.7)	18.2 (8.2)	20.3 (9.2)	19.8 (8.9)	18.6 (8.4)	80 (24.4)	12.0 (5.4)	13.8 (6.2)	14.9 (6.7)	15.7 (7.1)	
90 (27.4)	15.8 (7.1)	20.5 (9.3)	21.0 (9.5)	20.4 (9.2)	19.1 (8.6)	90 (27.4)	13.2 (5.9)	16.5 (7.4)	19.0 (8.6)	19.5 (8.8)	18.4 (8.3)	90 (27.4)	10.8 (4.9)	12.6 (5.7)	13.9 (6.3)	14.8 (6.7)	15.3 (6.9)
100 (30.5)	14.0 (6.3)	19.1 (8.6)	20.6 (9.3)	20.1 (9.1)	19.0 (8.6)	100 (30.5)	11.9 (5.4)	15.0 (6.8)	17.5 (7.9)	19.2 (8.7)	18.1 (8.2)	100 (30.5)	9.9 (4.5)	11.7 (5.3)	13.0 (5.9)	13.9 (6.3)	14.5 (6.5)
120 (36.6)	11.5 (5.2)	15.8 (7.1)	19.6 (8.9)	19.5 (8.8)	18.6 (8.4)	120 (36.6)	10.1 (4.5)	12.8 (5.8)	15.1 (6.8)	17.0 (7.7)	17.7 (8.0)	120 (36.6)		10.3 (4.6)	11.5 (5.2)	12.5 (5.6)	13.1 (5.9)
140 (42.7)		13.4 (6.0)	16.9 (7.6)	19.0 (8.6)	18.1 (8.2)	140 (42.7)		11.2 (5.0)	13.3 (6.0)	15.1 (6.8)	16.4 (7.4)	140 (42.7)		9.2 (4.1)	10.4 (4.7)	11.4 (5.1)	12.0 (5.4)
160 (48.8)		11.7 (5.3)	14.7 (6.6)	16.0 (7.2)	14.0 (6.3)	160 (48.8)		10.0 (4.5)	11.9 (5.4)	13.6 (6.1)	14.8 (6.7)	160 (48.8)			9.5 (4.3)	10.5 (4.7)	11.1 (5.0)
180 (54.9)			13.0 (5.9)	12.6 (5.7)	10.6 (4.8)	180 (54.9)			10.8 (4.9)	12.4 (5.6)	11.4 (5.1)	180 (54.9)			8.9 (4.0)	9.7 (4.4)	10.3 (4.6)
200 (61.0)			11.7 (5.3)	10.0 (4.5)	8.0 (3.6)	200 (61.0)			10.0 (4.5)	10.5 (4.7)	8.7 (3.9)	200 (61.0)				9.1 (4.1)	9.2 (4.1)
220 (67.1)				7.8 (3.5)	5.9 (2.6)	220 (67.1)				8.2 (3.7)	6.4 (2.9)	220 (67.1)				8.5 (3.8)	6.9 (3.1)
240 (73.2)				6.0 (2.7)	4.2 (1.9)	240 (73.2)				6.3 (2.8)	4.6 (2.0)	240 (73.2)					5.0 (2.2)
260 (79.2)				4.5 (2.0)	2.7 (1.2)	260 (79.2)					3.0 (1.3)	260 (79.2)					

This material is supplied for reference use only. Operator must refer to in-cab Crane Rating Manual and Operator's Manual to determine allowable crane lifting capacities and assembly and operating procedures.

100 ft (30.5m) Offset Jib Length – 360° Rotation [All capacities are listed in kips (mt)]																	
5° Offset						15° Offset						25° Offset					
Load Radius ft (m)	Main Boom Length ft (m)					Load Radius ft (m)	Main Boom Length ft (m)					Load Radius ft (m)	Main Boom Length ft (m)				
	ABC+A Cwt	ABCD+A Cwt					ABC+A Cwt	ABCD+A Cwt					ABC+A Cwt	ABCD+A Cwt			
	50 (15.2)	100 (30.5)	150 (45.7)	200 (61.0)	240 (73.2)		50 (15.2)	100 (30.5)	150 (45.7)	200 (61.0)	240 (73.2)		50 (15.2)	100 (30.5)	150 (45.7)	200 (61.0)	240 (73.2)
40 (12.2)	11.5 (5.2)					40 (12.2)						40 (12.2)					
50 (15.2)	10.5 (4.7)	11.3 (5.1)	11.6 (5.2)			50 (15.2)	9.6 (4.3)					50 (15.2)					
60 (18.3)	9.5 (4.3)	10.5 (4.7)	11.0 (4.9)	11.1 (5.0)	11.1 (5.0)	60 (18.3)	8.7 (3.9)	9.2 (4.1)				60 (18.3)					
70 (21.3)	8.6 (3.9)	9.7 (4.4)	10.4 (4.7)	10.6 (4.8)	10.6 (4.8)	70 (21.3)	7.9 (3.5)	8.6 (3.9)	8.9 (4.0)			70 (21.3)	7.3 (3.3)				
80 (24.4)	7.8 (3.5)	9.1 (4.1)	9.8 (4.4)	10.2 (4.6)	10.2 (4.6)	80 (24.4)	7.2 (3.2)	8.0 (3.6)	8.5 (3.8)	8.7 (3.9)	8.7 (3.9)	80 (24.4)	6.7 (3.0)	7.1 (3.2)	7.3 (3.3)		
90 (27.4)	7.1 (3.2)	8.4 (3.8)	9.2 (4.1)	9.7 (4.4)	9.8 (4.4)	90 (27.4)	6.6 (3.0)	7.5 (3.4)	8.0 (3.6)	8.3 (3.7)	8.3 (3.7)	90 (27.4)	6.1 (2.7)	6.7 (3.0)	7.0 (3.1)	7.1 (3.2)	
100 (30.5)	6.5 (2.9)	7.9 (3.5)	8.7 (3.9)	9.3 (4.2)	9.4 (4.2)	100 (30.5)	6.1 (2.7)	7.0 (3.1)	7.6 (3.4)	7.9 (3.5)	8.0 (3.6)	100 (30.5)	5.7 (2.5)	6.3 (2.8)	6.6 (3.0)	6.8 (3.0)	
120 (36.6)	5.5 (2.5)	6.8 (3.0)	7.8 (3.5)	8.4 (3.8)	8.7 (3.9)	120 (36.6)	5.2 (2.3)	6.2 (2.8)	6.8 (3.0)	7.2 (3.2)	7.4 (3.3)	120 (36.6)	4.9 (2.2)	5.6 (2.5)	6.0 (2.7)	6.2 (2.8)	
140 (42.7)	4.7 (2.1)	6.0 (2.7)	7.0 (3.1)	7.7 (3.5)	8.0 (3.6)	140 (42.7)	4.5 (2.0)	5.4 (2.4)	6.1 (2.7)	6.6 (3.0)	6.8 (3.0)	140 (42.7)		5.0 (2.2)	5.5 (2.5)	5.7 (2.5)	
160 (48.8)		5.3 (2.4)	6.3 (2.8)	7.0 (3.1)	7.4 (3.3)	160 (48.8)		4.9 (2.2)	5.6 (2.5)	6.1 (2.7)	6.3 (2.8)	160 (48.8)		4.6 (2.0)	5.0 (2.2)	5.3 (2.4)	
180 (54.9)		4.7 (2.1)	5.6 (2.5)	6.4 (2.9)	6.8 (3.0)	180 (54.9)		4.4 (2.0)	5.1 (2.3)	5.6 (2.5)	5.9 (2.6)	180 (54.9)			4.6 (2.0)	5.0 (2.2)	
200 (61.0)			5.1 (2.3)	5.9 (2.6)	6.3 (2.8)	200 (61.0)			4.7 (2.1)	5.2 (2.3)	5.5 (2.5)	200 (61.0)			4.4 (2.0)	4.7 (2.1)	
220 (67.1)			4.7 (2.1)	5.4 (2.4)	5.9 (2.6)	220 (67.1)			4.4 (2.0)	4.8 (2.1)	5.1 (2.3)	220 (67.1)				4.4 (2.0)	
240 (73.2)				5.0 (2.2)	4.5 (2.0)	240 (73.2)				4.5 (2.0)	4.8 (2.1)	240 (73.2)				4.2 (1.9)	
260 (79.2)				4.6 (2.0)	3.0 (1.3)	260 (79.2)				4.3 (1.9)	3.5 (1.5)	260 (79.2)				3.9 (1.7)	
280 (85.3)				3.5 (1.5)		280 (85.3)						280 (85.3)					

This material is supplied for reference use only. Operator must refer to in-cab Crane Rating Manual and Operator's Manual to determine allowable crane lifting capacities and assembly and operating procedures.

Luffing Attachment Make-up



Luffing Boom Make-up

Luffing Boom Length ft (m)	20 ft (6.14m) Base Section	10 ft (3.05m) Self-Assy Section	Luffing Boom Extensions				
			10 ft (3.05m)	20 ft (6.14m)	30 ft (9.10m)	40 ft (12.19m)	50 ft (15.24m)
80 (24.4)	1	1					1
90 (27.4)	1	1		1		1	
100 (30.5)	1	1		1			1
110 (33.5)	1	1			1		1
120 (36.6)	1	1				1	1
130 (39.6)	1	1					2
140 (42.7)	1	1		1		1	1
150 (45.7)	1	1		1			2
160 (48.8)	1	1			1		2
170 (51.82)	1	1		1	1	1	1
180 (54.86)	1	1		1	1		2
190 (57.91)	1	1		1		1	2

Notes:

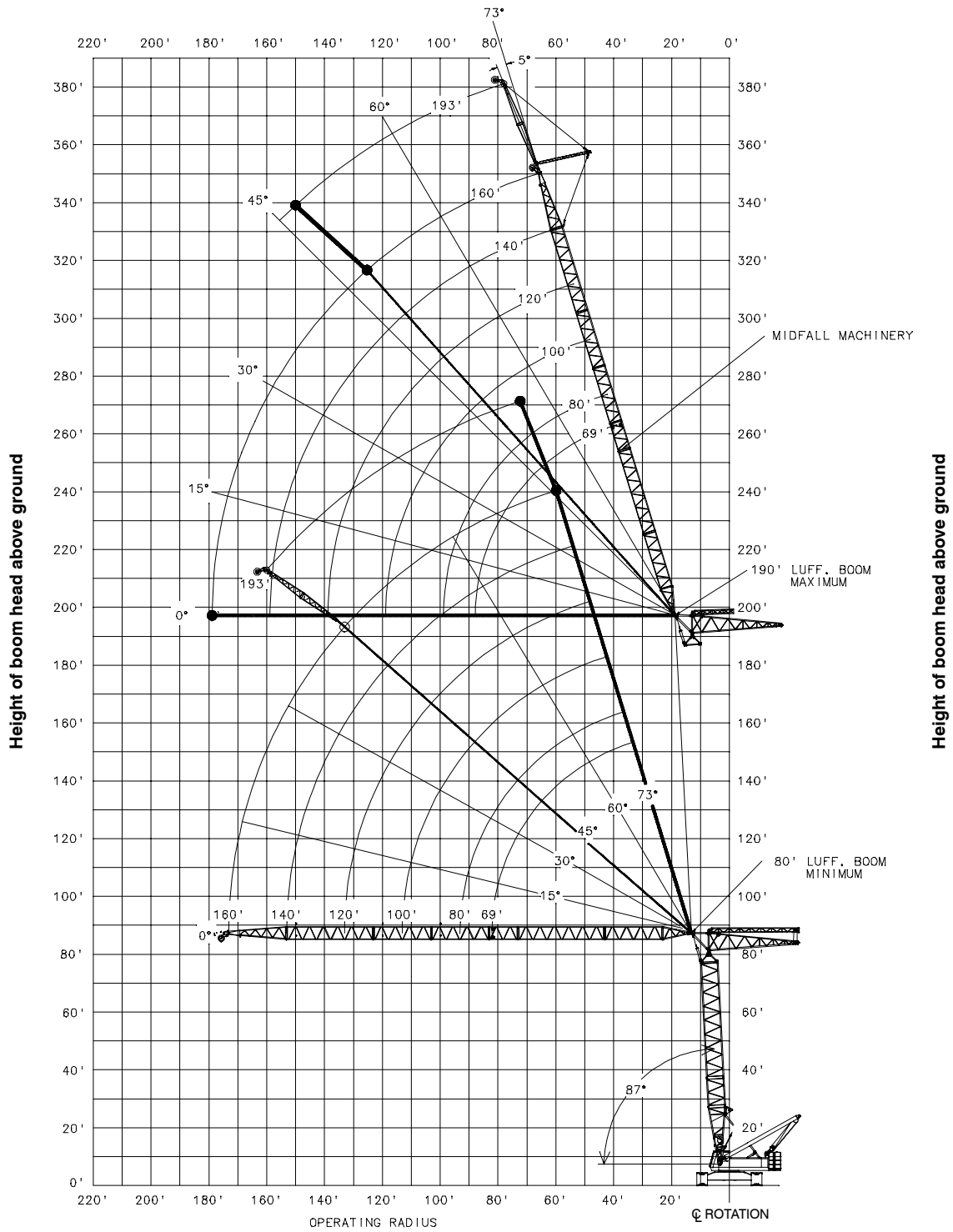
- Capacities shown are in kips/metric tons (1 kip = 1,000 lb / 1 kip = 0.45 metric ton) and are not more than 75% of the tipping loads with the crane standing level on a firm supporting surface. A deduction must be made from these capacities for the weight of the hook block, hook ball, sling, grapple, load weighing devices, etc. When lifting from the luffing jib with the fixed jib installed, reduce capacities by values shown in the Crane Rating Manual. See Operator's Manual for all limitations when raising or lowering attachment.
- The capacities in the shaded areas are based on structural strength. The capacities in the non-shaded areas are based on stability ratings.
- All luffing attachment combinations require the maximum counterweight combination "ABCD+A".
- Load ratings are based on freely suspended loads and make no allowances for such factors as the effect of the wind on load, ground conditions, and operating speeds. The operator shall therefore reduce load ratings in order to take these conditions into account. Refer to the Crane Rating Manual for Wind Speed Restrictions.
- Refer to the Crane Rating Manual for allowable attachment liftoff lengths and allowable working lengths at the various luffing boom angles.
- The fixed jib has only one length [30 ft (9.14m)] and only one offset with respect to the luffing jib (5°).
- These capacities are in compliance with ASME/ANSI B30.5 at date of manufacture.
- These capacities apply only to the crane as originally manufactured and normally equipped by Link-Belt Construction Equipment Company.

Luffing Jib Make-up

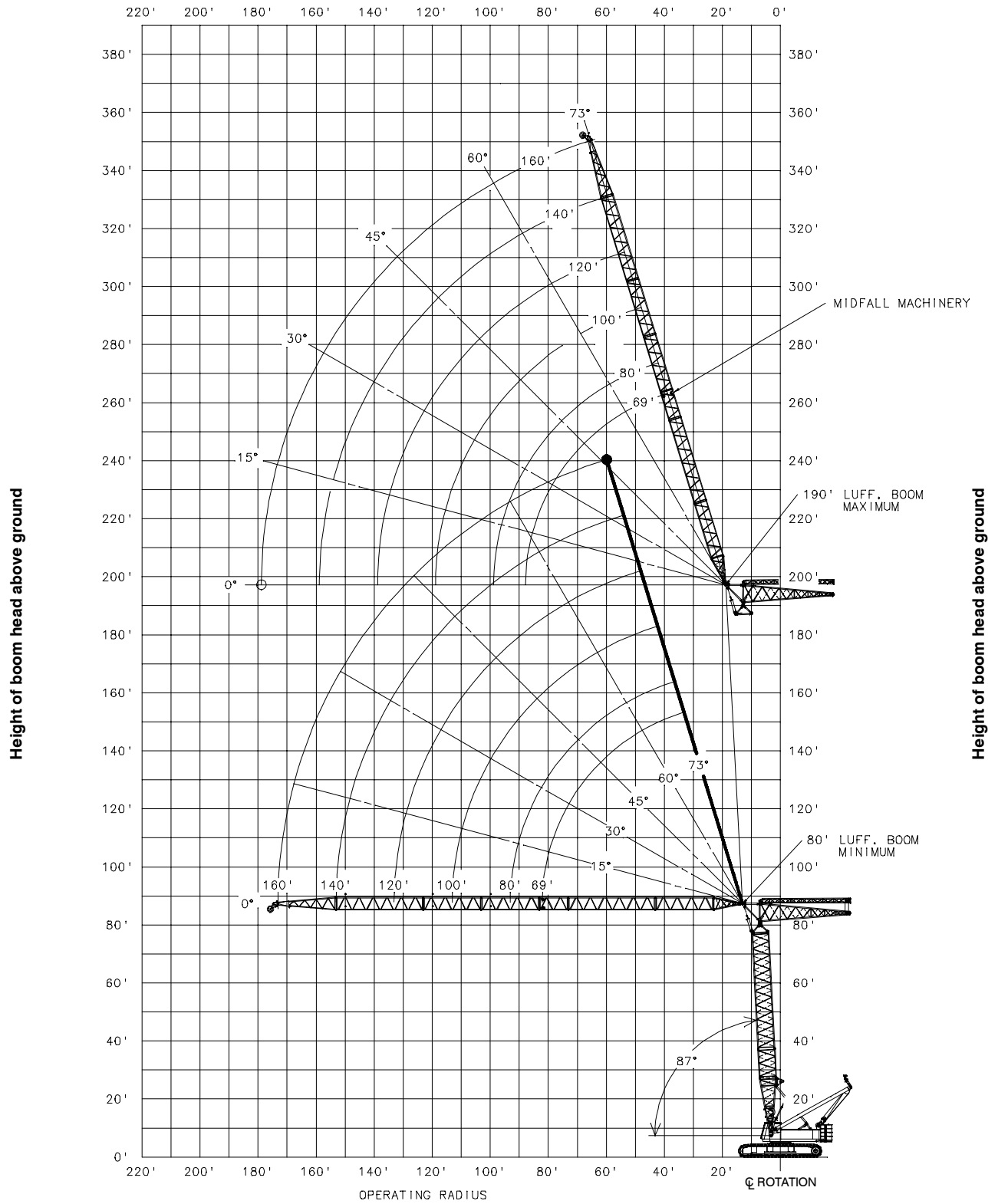
Luffing Jib Length ft (m)	10 ft (3.05m) Base Section	Luffing Jib Extensions						20 ft (6.14m) Top Section
		"H" Extension		Mid-Fall	"F" Extension			
		20 ft (6.14m)	30 ft (9.10m)	10 ft (3.05m)	20 ft (6.14m)	30 ft (9.10m)	40 ft (12.19m)	
80 (24.4)	1	1	1					1
90 (27.4)	1	1	1	1				1
100 (30.5)	1	1	1		1			1
110 (33.5)	1	1	1	1	1			1
120 (36.6)	1	1	1	1		1		1
130 (39.6)	1	1	1	1			1	1
140 (42.7)	1	1	1	1	1	1		1
150 (45.7)	1	1	1	1	1		1	1
160 (48.8)	1	1	1	1		1	1	1

Luffing Attachment Working Range Diagrams

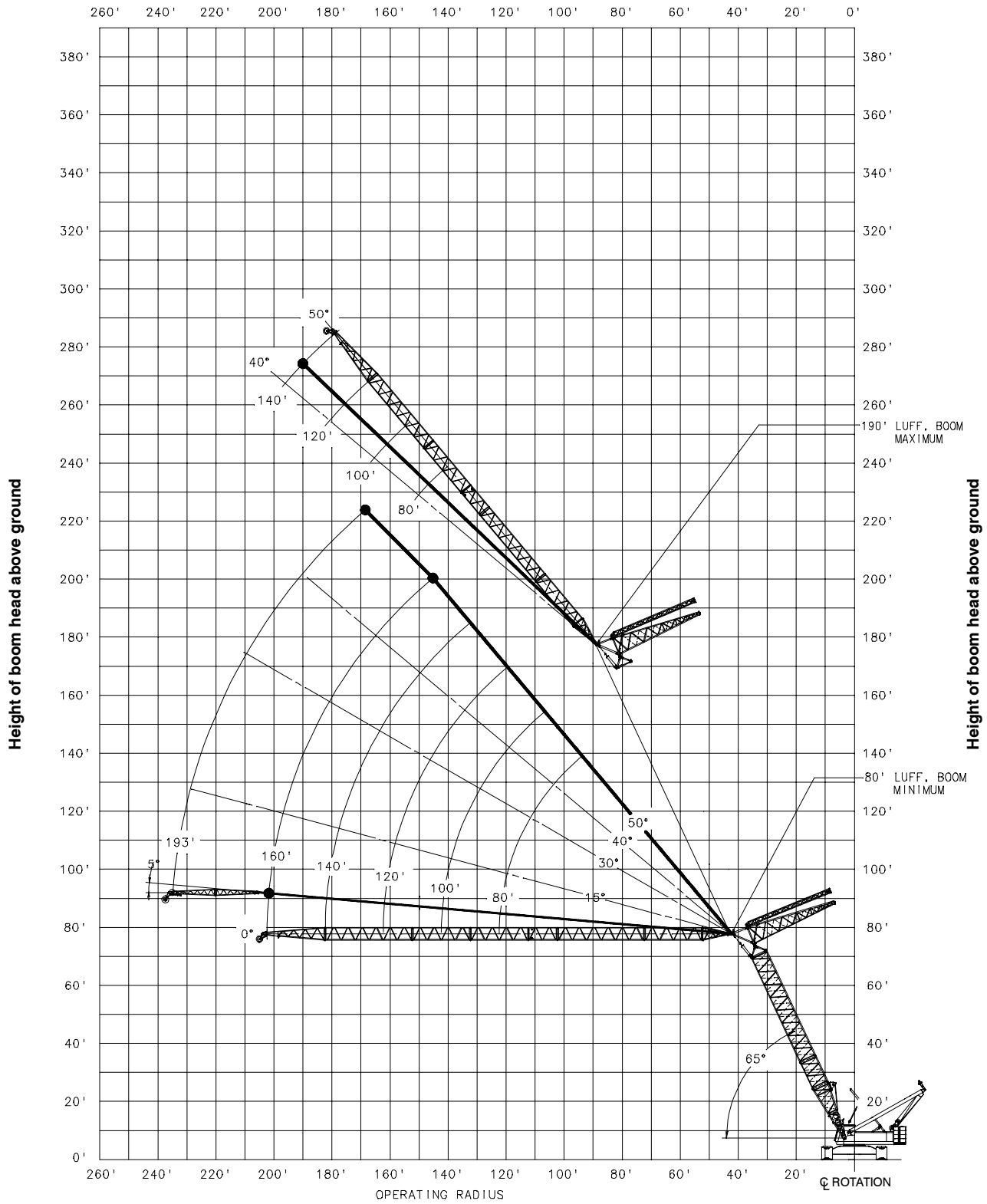
87° Luffing Boom Angle – 360°

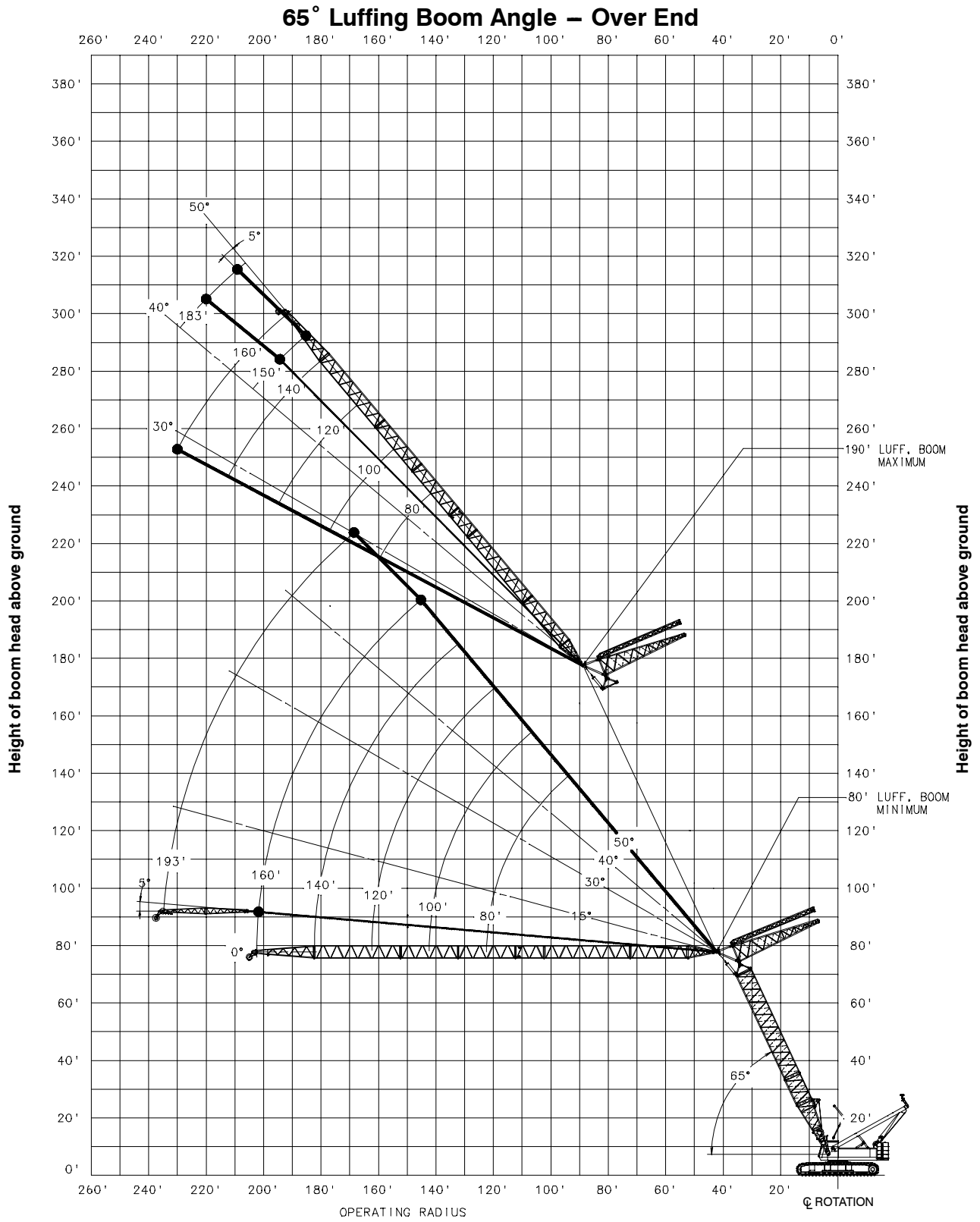


87° Luffing Boom Angle – Over End



65° Luffing Boom Angle – 360°





Luffing Attachment Load Charts

80 ft (24.4m) Luffing Boom Length – 360° Rotation – ABCD + A Counterweight [All capacities are listed in kips (mt)]													
80 ft (24.4m) Luffing Jib Length							100 ft (30.5m) Luffing Jib Length						
Load Radius ft (m)	Luffing Boom Angle						Load Radius ft (m)	Luffing Boom Angle					
	87°	85°	80°	75°	70°	65°		87°	85°	80°	75°	70°	65°
38 (11.6)	85.0 (38.5)						43 (13.1)	68.3 (30.9)					
60 (18.3)	60.5 (27.4)	59.9 (27.1)	58.2 (26.4)				60 (18.3)	60.0 (27.2)	59.3 (26.9)				
80 (24.4)	42.2 (19.1)	41.7 (18.9)	40.5 (18.3)	39.4 (17.8)			80 (24.4)	41.7 (18.9)	41.2 (18.6)	40.0 (18.1)	38.8 (17.6)		
100 (30.5)			30.5 (13.8)	29.6 (13.4)	28.1 (12.7)	27.3 (12.3)	100 (30.5)	31.4 (14.2)	31.0 (14.0)	30.1 (13.6)	29.1 (13.2)	27.5 (12.4)	
120 (36.6)						21.6 (9.8)	120 (36.6)			23.7 (10.7)	22.9 (10.3)	21.7 (9.8)	21.2 (9.6)
123 (37.5)						21.0 (9.5)	140 (42.7)						17.2 (7.8)
							143 (43.6)						16.7 (7.5)

80 ft (24.4m) Luffing Boom Length – 360° Rotation – ABCD + A Counterweight [All capacities are listed in kips (mt)]													
120 ft (36.6m) Luffing Jib Length							140 ft (42.7m) Luffing Jib Length						
Load Radius ft (m)	Luffing Boom Angle						Load Radius ft (m)	Luffing Boom Angle					
	87°	85°	80°	75°	70°	65°		87°	85°	80°	75°	70°	65°
50 (15.2)	54.1 (24.5)						58 (17.7)	43.6 (19.7)					
80 (24.4)	41.2 (18.6)	40.7 (18.4)	39.4 (17.8)				80 (24.4)	40.4 (18.3)	40.0 (18.1)				
100 (30.5)	30.9 (14.0)	30.5 (13.8)	29.5 (13.3)	28.5 (12.9)			100 (30.5)	30.4 (13.7)	30.0 (13.6)	28.9 (13.1)			
120 (36.6)	24.4 (11.0)	24.0 (10.8)	23.2 (10.5)	22.4 (10.1)	21.3 (9.6)	20.5 (9.3)	120 (36.6)	23.9 (10.8)	23.5 (10.6)	22.7 (10.3)	21.8 (9.8)	20.7 (9.3)	
140 (42.7)			19.0 (8.6)	18.3 (8.3)	17.3 (7.8)	16.7 (7.5)	140 (42.7)	17.0 (7.7)	18.9 (8.5)	18.5 (8.4)	17.8 (8.0)	16.7 (7.5)	16.0 (7.2)
160 (48.8)						13.8 (6.2)	160 (48.8)			15.3 (6.9)	14.7 (6.6)	13.8 (6.2)	13.2 (5.9)
163 (49.7)						13.4 (6.0)	180 (54.9)						11.0 (4.9)
							183 (55.8)						10.8 (4.9)

This material is supplied for reference use only. Operator must refer to in-cab Crane Rating Manual and Operator's Manual to determine allowable crane lifting capacities and assembly and operating procedures.

80 ft (24.4m) Luffing Boom Length – 360° Rotation – ABCD + A Counterweight [All capacities are listed in kips (mt)]													
160 ft (48.8m) Luffing Jib Length							160 ft (48.8m) Luffing Jib + 30 ft (9.1m) Fixed Jib Length						
Load Radius ft (m)	Luffing Boom Angle						Load Radius ft (m)	Luffing Boom Angle					
	87°	85°	80°	75°	70°	65°		87°	85°	80°	75°	70°	65°
67 (20.4)	34.7 (15.7)						80 (24.4)	18.0 (8.1)					
80 (24.4)	33.1 (15.0)	33.1 (15.0)					100 (30.5)	18.0 (8.1)	18.0 (8.1)				
100 (30.5)	29.9 (13.5)	29.4 (13.3)	28.4 (12.8)				120 (36.6)	17.8 (8.0)	18.0 (8.1)	18.0 (8.1)			
120 (36.6)	23.3 (10.5)	23.0 (10.4)	22.1 (10.0)	21.2 (9.6)			140 (42.7)	12.4 (5.6)	15.4 (6.9)	16.2 (7.3)	16.4 (7.4)		
140 (42.7)	14.8 (6.7)	17.7 (8.0)	18.0 (8.1)	17.3 (7.8)	16.1 (7.3)		160 (48.8)	6.7 (3.0)	9.2 (4.1)	13.7 (6.2)	13.4 (6.0)	12.3 (5.5)	
160 (48.8)	9.6 (4.3)	11.5 (5.2)	14.8 (6.7)	14.2 (6.4)	13.2 (5.9)	12.6 (5.7)	180 (54.9)			9.2 (4.1)	11.0 (4.9)	10.1 (4.5)	9.6 (4.3)
180 (54.9)			10.2 (4.6)	11.8 (5.3)	11.0 (4.9)	10.5 (4.7)	200 (61.0)				9.1 (4.1)	8.4 (3.8)	7.9 (3.5)
200 (61.0)						8.8 (4.0)	220 (67.1)					7.0 (3.1)	6.5 (2.9)
203 (61.9)						8.5 (3.8)	233 (71.0)						5.8 (2.6)

100 ft (30.5m) Luffing Boom Length – 360° Rotation – ABCD + A Counterweight [All capacities are listed in kips (mt)]													
80 ft (24.4m) Luffing Jib Length							100 ft (30.5m) Luffing Jib Length						
Load Radius ft (m)	Luffing Boom Angle						Load Radius ft (m)	Luffing Boom Angle					
	87°	85°	80°	75°	70°	65°		87°	85°	80°	75°	70°	65°
39 (11.9)	79.7 (36.1)						44 (13.4)	64.6 (29.3)					
60 (18.3)	60.6 (27.4)	59.7 (27.0)	57.6 (26.1)				60 (18.3)	60.0 (27.2)	59.1 (26.8)				
80 (24.4)	42.2 (19.1)	41.6 (18.8)	40.1 (18.1)	38.6 (17.5)			80 (24.4)	41.7 (18.9)	41.1 (18.6)	29.5 (13.3)			
100 (30.5)			30.1 (13.6)	29.0 (13.1)	27.1 (12.3)		100 (30.5)	31.4 (14.2)	30.9 (14.0)	29.6 (13.4)	28.4 (12.8)	26.4 (11.9)	
120 (36.6)					21.5 (9.7)	20.8 (9.4)	120 (36.6)			23.4 (10.6)	22.4 (10.1)	21.1 (9.5)	20.1 (9.1)
131 (39.9)						18.4 (8.3)	140 (42.7)					17.1 (7.7)	16.4 (7.4)
							151 (46.0)						14.7 (6.6)

This material is supplied for reference use only. Operator must refer to in-cab Crane Rating Manual and Operator’s Manual to determine allowable crane lifting capacities and assembly and operating procedures.

100 ft (30.5m) Luffing Boom Length – 360° Rotation – ABCD + A Counterweight [All capacities are listed in kips (mt)]													
120 ft (36.6m) Luffing Jib Length							140 ft (42.7m) Luffing Jib Length						
Load Radius ft (m)	Luffing Boom Angle						Load Radius ft (m)	Luffing Boom Angle					
	87°	85°	80°	75°	70°	65°		87°	85°	80°	75°	70°	65°
50 (15.2)	51.4 (23.3)						55 (16.8)	41.8 (18.9)					
80 (24.4)	41.2 (18.6)	40.6 (18.4)	38.9 (17.6)				80 (24.4)	38.5 (17.4)	38.1 (17.2)				
100 (30.5)	30.9 (14.0)	30.4 (13.7)	29.1 (13.2)	27.8 (12.6)			100 (30.5)	30.4 (13.7)	29.8 (13.5)	28.5 (12.9)			
120 (36.6)	24.3 (11.0)	23.9 (10.8)	22.8 (10.3)	21.8 (9.8)	20.4 (9.2)		120 (36.6)	23.8 (10.8)	23.4 (10.6)	22.3 (10.1)	21.2 (9.6)		
140 (42.7)			18.7 (8.4)	17.8 (8.0)	16.6 (7.5)	15.8 (7.1)	140 (42.7)	16.8 (7.6)	19.2 (8.7)	18.2 (8.2)	17.3 (7.8)	16.0 (7.2)	15.1 (6.8)
160 (48.8)					13.7 (6.2)	13.0 (5.9)	160 (48.8)			15.0 (6.8)	14.2 (6.4)	13.1 (5.9)	12.4 (5.6)
171 (52.1)						11.7 (5.3)	180 (54.9)					11.0 (4.9)	10.3 (4.6)
							191 (58.2)						9.3 (4.2)

100 ft (30.5m) Luffing Boom Length – 360° Rotation – ABCD + A Counterweight [All capacities are listed in kips (mt)]													
160 ft (48.8m) Luffing Jib Length							160 ft (48.8m) Luffing Jib + 30 ft (9.1m) Fixed Jib Length						
Load Radius ft (m)	Luffing Boom Angle						Load Radius ft (m)	Luffing Boom Angle					
	87°	85°	80°	75°	70°	65°		87°	85°	80°	75°	70°	65°
61 (18.6)	33.4 (15.1)						73 (22.3)	18.0 (8.1)					
80 (24.4)	31.4 (14.2)	31.5 (14.2)					100 (30.5)	18.0 (8.1)	18.0 (8.1)				
100 (30.5)	29.8 (13.5)	29.3 (13.3)	27.9 (12.6)				120 (36.6)	17.3 (7.8)	17.9 (8.1)	18.0 (8.1)			
120 (36.6)	23.2 (10.5)	22.8 (10.3)	21.7 (9.8)	20.9 (9.4)			140 (42.7)	12.5 (5.6)	15.1 (6.8)	16.2 (7.3)	15.9 (7.2)		
140 (42.7)	14.8 (6.7)	18.1 (8.2)	17.7 (8.0)	16.8 (7.6)	15.3 (6.9)		160 (48.8)	7.0 (3.1)	9.8 (4.4)	13.7 (6.2)	12.9 (5.8)	11.6 (5.2)	
160 (48.8)	9.8 (4.4)	11.9 (5.4)	14.5 (6.5)	13.7 (6.2)	12.5 (5.6)	11.8 (5.3)	180 (54.9)			11.2 (5.0)	10.6 (4.8)	9.5 (4.3)	8.8 (4.0)
180 (54.9)			11.7 (5.3)	11.4 (5.1)	10.4 (4.7)	9.7 (4.4)	200 (61.0)			5.5 (2.5)	8.8 (4.0)	7.8 (3.5)	7.2 (3.2)
200 (61.0)					8.7 (3.9)	8.1 (3.6)	220 (67.1)				5.1 (2.3)	6.5 (2.9)	5.9 (2.6)
211 (64.3)						7.3 (3.3)							

This material is supplied for reference use only. Operator must refer to in-cab Crane Rating Manual and Operator's Manual to determine allowable crane lifting capacities and assembly and operating procedures.

120 ft (36.6m) Luffing Boom Length – 360° Rotation – ABCD + A Counterweight [All capacities are listed in kips (mt)]													
80 ft (24.4m) Luffing Jib Length							100 ft (30.5m) Luffing Jib Length						
Load Radius ft (m)	Luffing Boom Angle						Load Radius ft (m)	Luffing Boom Angle					
	87°	85°	80°	75°	70°	65°		87°	85°	80°	75°	70°	65°
40 (12.2)	74.3 (33.7)						45 (13.7)	60.0 (27.2)					
60 (18.3)	60.5 (27.4)	59.4 (26.9)					60 (18.3)	56.1 (25.4)	56.3 (25.5)				
80 (24.4)	42.2 (19.1)	41.4 (18.7)	39.5 (17.9)	37.6 (17.0)			80 (24.4)	41.7 (18.9)	40.9 (18.5)	38.9 (17.6)			
100 (30.5)		31.2 (14.1)	29.7 (13.4)	28.2 (12.8)	26.0 (11.8)		100 (30.5)	31.3 (14.2)	30.7 (13.9)	29.2 (13.2)	27.6 (12.5)		
120 (36.6)				22.2 (10.0)	20.8 (9.4)	19.7 (8.9)	120 (36.6)		24.3 (11.0)	23.0 (10.4)	21.7 (9.8)	20.1 (9.1)	
139 (42.4)						16.0 (7.2)	140 (42.7)				17.7 (8.0)	16.4 (7.4)	15.4 (6.9)
							159 (48.5)						12.7 (5.7)

120 ft (36.6m) Luffing Boom Length – 360° Rotation – ABCD + A Counterweight [All capacities are listed in kips (mt)]													
120 ft (36.6m) Luffing Jib Length							140 ft (42.7m) Luffing Jib Length						
Load Radius ft (m)	Luffing Boom Angle						Load Radius ft (m)	Luffing Boom Angle					
	87°	85°	80°	75°	70°	65°		87°	85°	80°	75°	70°	65°
51 (15.5)	47.1 (21.3)						56 (17.1)	37.8 (17.1)					
60 (18.3)	46.2 (20.9)	46.7 (21.1)					80 (24.4)	35.3 (16.0)	36.2 (16.4)				
80 (24.4)	41.2 (18.6)	40.3 (18.2)	38.3 (17.3)				100 (30.5)	30.3 (13.7)	29.6 (13.4)	28.0 (12.7)			
100 (30.5)	30.9 (14.0)	30.2 (13.7)	28.6 (12.9)	27.0 (12.2)			120 (36.6)	22.9 (10.3)	23.2 (10.5)	21.8 (9.8)	20.8 (9.4)		
120 (36.6)	24.2 (10.9)	23.7 (10.7)	22.4 (10.1)	21.2 (9.6)	19.5 (8.8)		140 (42.7)	15.8 (7.1)	18.7 (8.4)	17.9 (8.1)	16.7 (7.5)	15.1 (6.8)	
140 (42.7)		19.5 (8.8)	18.4 (8.3)	17.3 (7.8)	15.8 (7.1)	14.7 (6.6)	160 (48.8)		12.7 (5.7)	14.7 (6.6)	13.7 (6.2)	12.4 (5.6)	11.5 (5.2)
160 (48.8)				14.2 (6.4)	13.0 (5.9)	12.1 (5.4)	180 (54.9)				11.4 (5.1)	10.3 (4.6)	9.5 (4.3)
179 (54.6)						10.1 (4.5)	199 (60.7)						7.9 (3.5)

This material is supplied for reference use only. Operator must refer to in-cab Crane Rating Manual and Operator's Manual to determine allowable crane lifting capacities and assembly and operating procedures.

120 ft (36.6m) Luffing Boom Length – 360° Rotation – ABCD + A Counterweight [All capacities are listed in kips (mt)]													
160 ft (48.8m) Luffing Jib Length							160 ft (48.8m) Luffing Jib + 30 ft (9.1m) Fixed Jib Length						
Load Radius ft (m)	Luffing Boom Angle						Load Radius ft (m)	Luffing Boom Angle					
	87°	85°	80°	75°	70°	65°		87°	85°	80°	75°	70°	65°
62 (18.9)	30.1 (13.6)						71 (21.6)	18.0 (8.1)					
80 (24.4)	29.3 (13.3)	29.7 (13.4)					100 (30.5)	18.0 (8.1)	18.0 (8.1)				
100 (30.5)	27.6 (12.5)	27.7 (12.5)	27.3 (12.3)				120 (36.6)	16.9 (7.6)	17.5 (7.9)	18.0 (8.1)			
120 (36.6)	21.1 (9.5)	22.7 (10.3)	21.2 (9.6)	20.2 (9.1)			140 (42.7)	12.2 (5.5)	14.8 (6.7)	16.2 (7.3)	15.3 (6.9)		
140 (42.7)	14.2 (6.4)	17.5 (7.9)	17.3 (7.8)	16.2 (7.3)	14.5 (6.5)		160 (48.8)	7.0 (3.1)	9.6 (4.3)	13.4 (6.0)	12.3 (5.5)	10.8 (4.9)	
160 (48.8)	9.5 (4.3)	11.5 (5.2)	14.2 (6.4)	13.2 (5.9)	11.8 (5.3)	10.8 (4.9)	180 (54.9)			11.0 (4.9)	10.1 (4.5)	8.8 (4.0)	
180 (54.9)		7.2 (3.2)	11.8 (5.3)	10.9 (4.9)	9.7 (4.4)	8.9 (4.0)	200 (61.0)			6.1 (2.7)	8.3 (3.7)	7.2 (3.2)	7.9 (3.5)
200 (61.0)				9.1 (4.1)	8.1 (3.6)	7.3 (3.3)	220 (67.1)				6.8 (3.0)	8.4 (3.8)	6.4 (2.9)
219 (66.8)						6.1 (2.7)							7.7 (2.5)

140 ft (42.7m) Luffing Boom Length – 360° Rotation – ABCD + A Counterweight [All capacities are listed in kips (mt)]													
80 ft (24.4m) Luffing Jib Length							100 ft (30.5m) Luffing Jib Length						
Load Radius ft (m)	Luffing Boom Angle						Load Radius ft (m)	Luffing Boom Angle					
	87°	85°	80°	75°	70°	65°		87°	85°	80°	75°	70°	65°
41 (12.5)	64.9 (29.4)						46 (14.0)	50.9 (23.0)					
60 (18.3)	56.6 (25.6)	59.1 (26.8)					60 (18.3)	48.0 (21.7)	51.3 (23.2)				
80 (24.4)	42.1 (19.1)	41.1 (18.6)	38.8 (17.6)				80 (24.4)	41.6 (18.8)	40.6 (18.4)	38.2 (17.3)			
100 (30.5)		30.9 (14.0)	29.2 (13.2)	27.4 (12.4)			100 (30.5)	31.3 (14.2)	30.5 (13.8)	28.6 (12.9)	26.8 (12.1)		
120 (36.6)				21.5 (9.7)	19.8 (8.9)	18.4 (8.3)	120 (36.6)		24.0 (10.8)	22.5 (10.2)	21.3 (9.6)	19.1 (8.6)	
140 (42.7)						14.9 (6.7)	140 (42.7)				17.2 (7.8)	15.5 (7.0)	14.3 (6.4)
148 (45.1)						13.7 (6.2)	160 (48.8)						11.8 (5.3)
							168 (51.2)						10.9 (4.9)

This material is supplied for reference use only. Operator must refer to in-cab Crane Rating Manual and Operator's Manual to determine allowable crane lifting capacities and assembly and operating procedures.

140 ft (42.7m) Luffing Boom Length – 360° Rotation – ABCD + A Counterweight [All capacities are listed in kips (mt)]													
120 ft (36.6m) Luffing Jib Length							140 ft (42.7m) Luffing Jib Length						
Load Radius ft (m)	Luffing Boom Angle						Load Radius ft (m)	Luffing Boom Angle					
	87°	85°	80°	75°	70°	65°		87°	85°	80°	75°	70°	65°
52 (15.8)	41.2 (18.6)						57 (17.4)	33.1 (15.0)					
60 (18.3)	40.1 (18.1)	41.7 (18.9)					80 (24.4)	30.9 (14.0)	33.1 (15.0)				
80 (24.4)	36.3 (16.4)	39.4 (17.8)					100 (30.5)	27.8 (12.6)	29.4 (13.3)	27.4 (12.4)			
100 (30.5)	30.8 (13.9)	30.0 (13.6)	28.0 (12.7)				120 (36.6)	21.0 (9.5)	23.0 (10.4)	21.3 (9.6)	20.1 (9.1)		
120 (36.6)	22.9 (10.3)	23.5 (10.6)	21.9 (9.9)	20.7 (9.3)			140 (42.7)	14.7 (6.6)	17.7 (8.0)	17.5 (7.9)	16.1 (7.3)	14.2 (6.4)	
140 (42.7)		18.9 (8.5)	18.0 (8.1)	16.7 (7.5)	14.9 (6.7)		160 (48.8)		12.3 (5.5)	14.4 (6.5)	13.2 (5.9)	11.6 (5.2)	10.5 (4.7)
160 (48.8)				13.7 (6.2)	12.2 (5.5)	11.1 (5.0)	180 (54.9)				10.9 (4.9)	9.6 (4.3)	8.6 (3.9)
180 (54.9)						9.2 (4.1)	200 (61.0)						7.1 (3.2)
188 (57.3)						8.6 (3.9)	208 (63.4)						6.6 (3.0)

140 ft (42.7m) Luffing Boom Length – 360° Rotation – ABCD + A Counterweight [All capacities are listed in kips (mt)]													
160 ft (48.8m) Luffing Jib Length							160 ft (48.8m) Luffing Jib + 30 ft (9.1m) Fixed Jib Length						
Load Radius ft (m)	Luffing Boom Angle						Load Radius ft (m)	Luffing Boom Angle					
	87°	85°	80°	75°	70°	65°		87°	85°	80°	75°	70°	65°
63 (19.2)	26.5 (12.0)						72 (21.9)	18.0 (8.1)					
80 (24.4)	25.5 (11.5)	26.9 (12.2)					100 (30.5)	18.0 (8.1)	18.0 (8.1)				
100 (30.5)	24.1 (10.9)	25.8 (11.7)	25.7 (11.6)				120 (36.6)	16.1 (7.3)	16.9 (7.6)	18.0 (8.1)			
120 (36.6)	19.1 (8.6)	22.4 (10.1)	21.1 (9.5)				140 (42.7)	10.8 (4.9)	14.4 (6.5)	15.8 (7.1)	14.6 (6.6)		
140 (42.7)	13.2 (5.9)	16.7 (7.5)	16.9 (7.6)	15.5 (7.0)			160 (48.8)	6.4 (2.9)	9.0 (4.0)	13.0 (5.9)	11.7 (5.3)		
160 (48.8)	8.8 (4.0)	10.9 (4.9)	13.9 (6.3)	12.6 (5.7)	11.0 (4.9)		180 (54.9)			10.7 (4.8)	9.5 (4.3)	8.0 (3.6)	
180 (54.9)		7.0 (3.1)	11.5 (5.2)	10.4 (4.7)	9.0 (4.0)	8.0 (3.6)	200 (61.0)			6.5 (2.9)	7.8 (3.5)	6.5 (2.9)	
200 (61.0)				8.7 (3.9)	7.4 (3.3)	6.5 (2.9)	220 (67.1)				6.4 (2.9)	5.3 (2.4)	
220 (67.1)						5.3 (2.4)							

This material is supplied for reference use only. Operator must refer to in-cab Crane Rating Manual and Operator's Manual to determine allowable crane lifting capacities and assembly and operating procedures.

160 ft (48.8m) Luffing Boom Length – 360° Rotation – ABCD + A Counterweight [All capacities are listed in kips (mt)]													
80 ft (24.4m) Luffing Jib Length							100 ft (30.5m) Luffing Jib Length						
Load Radius ft (m)	Luffing Boom Angle						Load Radius ft (m)	Luffing Boom Angle					
	87°	85°	80°	75°	70°	65°		87°	85°	80°	75°	70°	65°
42 (12.8)	53.9 (24.4)						47 (14.3)	43.4 (19.6)					
60 (18.3)	47.4 (21.5)	51.7 (23.4)					60 (18.3)	40.9 (18.5)	43.1 (19.5)				
80 (24.4)	39.7 (18.0)	40.9 (18.5)	38.1 (17.2)				80 (24.4)	35.7 (16.2)	39.1 (17.7)	37.4 (16.9)			
100 (30.5)		30.7 (13.9)	28.6 (12.9)	26.4 (11.9)			100 (30.5)	30.1 (13.6)	30.3 (13.7)	28.0 (12.7)	25.8 (11.7)		
120 (36.6)				21.0 (9.5)	18.7 (8.4)		120 (36.6)		23.8 (10.8)	22.0 (9.9)	20.5 (9.3)	18.0 (8.1)	
140 (42.7)					15.1 (6.8)	13.8 (6.2)	140 (42.7)				16.5 (7.4)	14.6 (6.6)	13.1 (5.9)
156 (47.5)						11.7 (5.3)	160 (48.8)					12.0 (5.4)	10.8 (4.9)
							176 (53.6)						9.2 (4.1)

160 ft (48.8m) Luffing Boom Length – 360° Rotation – ABCD + A Counterweight [All capacities are listed in kips (mt)]													
120 ft (36.6m) Luffing Jib Length							140 ft (42.7m) Luffing Jib Length						
Load Radius ft (m)	Luffing Boom Angle						Load Radius ft (m)	Luffing Boom Angle					
	87°	85°	80°	75°	70°	65°		87°	85°	80°	75°	70°	65°
52 (15.8)	35.5 (16.1)						58 (17.7)	28.4 (12.8)					
60 (18.3)	34.5 (15.6)						80 (24.4)	26.4 (11.9)	28.4 (12.8)				
80 (24.4)	31.1 (14.1)	33.8 (15.3)					100 (30.5)	24.1 (10.9)	26.2 (11.8)	26.7 (12.1)			
100 (30.5)	27.1 (12.3)	29.7 (13.4)	27.4 (12.4)				120 (36.6)	19.2 (8.7)	22.7 (10.3)	21.2 (9.6)	19.2 (8.7)		
120 (36.6)	20.9 (9.4)	23.3 (10.5)	21.4 (9.7)	19.9 (9.0)			140 (42.7)	13.6 (6.1)	16.6 (7.5)	17.0 (7.7)	15.4 (6.9)		
140 (42.7)		17.8 (8.0)	17.6 (7.9)	16.0 (7.2)	13.9 (6.3)		160 (48.8)		11.5 (5.2)	14.0 (6.3)	12.6 (5.7)	10.7 (4.8)	
160 (48.8)				13.1 (5.9)	11.4 (5.1)	10.1 (4.5)	180 (54.9)				10.4 (4.7)	8.8 (4.0)	7.7 (3.5)
180 (54.9)					9.4 (4.2)	8.3 (3.7)	200 (61.0)					7.3 (3.3)	6.3 (2.8)
						7.1 (3.2)	216 (65.8)						5.3 (2.4)

This material is supplied for reference use only. Operator must refer to in-cab Crane Rating Manual and Operator's Manual to determine allowable crane lifting capacities and assembly and operating procedures.

160 ft (48.8m) Luffing Boom Length – 360° Rotation – ABCD + A Counterweight [All capacities are listed in kips (mt)]													
160 ft (48.8m) Luffing Jib Length							160 ft (48.8m) Luffing Jib + 30 ft (9.1m) Fixed Jib Length						
Load Radius ft (m)	Luffing Boom Angle						Load Radius ft (m)	Luffing Boom Angle					
	87°	85°	80°	75°	70°	65°		87°	85°	80°	75°	70°	65°
64 (19.5)	23.2 (10.5)						73 (22.3)	17.4 (7.9)					
80 (24.4)	22.7 (10.3)	23.6 (10.7)					100 (30.5)	16.4 (7.4)	17.5 (7.9)				
100 (30.5)	20.8 (9.4)	22.4 (10.1)					120 (36.6)	14.6 (6.6)	16.1 (7.3)	16.7 (7.5)			
120 (36.6)	17.2 (7.8)	21.0 (9.5)	20.6 (9.3)				140 (42.7)	9.7 (4.4)	13.0 (5.9)	15.3 (6.9)			
140 (42.7)	12.2 (5.5)	15.1 (6.8)	16.5 (7.4)	14.8 (6.7)			160 (48.8)	5.8 (2.6)	8.3 (3.7)	12.6 (5.7)	11.1 (5.0)		
160 (48.8)	8.1 (3.6)	10.3 (4.6)	13.5 (6.1)	12.0 (5.4)	10.1 (4.5)		180 (54.9)			10.3 (4.6)	9.0 (4.0)	7.2 (3.2)	
180 (54.9)		6.5 (2.9)	11.1 (5.0)	9.8 (4.4)	8.2 (3.7)	7.0 (3.1)	200 (61.0)			6.6 (3.0)	7.3 (3.3)	5.8 (2.6)	
200 (61.0)				8.2 (3.7)	6.7 (3.0)	5.6 (2.5)	220 (67.1)				6.0 (2.7)		
220 (67.1)					5.5 (2.5)		240 (73.2)						
236 (71.9)							250 (76.2)						

180 ft (54.9m) Luffing Boom Length – 360° Rotation – ABCD + A Counterweight [All capacities are listed in kips (mt)]													
100 ft (30.5m) Luffing Jib Length							120 ft (36.6m) Luffing Jib Length						
Load Radius ft (m)	Luffing Boom Angle						Load Radius ft (m)	Luffing Boom Angle					
	87°	85°	80°	75°	70°	65°		87°	85°	80°	75°	70°	65°
48 (14.6)	36.8 (16.7)						53 (16.2)	30.2 (13.7)					
60 (18.3)	34.8 (15.7)	36.6 (16.6)					60 (18.3)	29.7 (13.4)					
80 (24.4)	30.1 (13.6)	33.4 (15.1)					80 (24.4)	26.1 (11.8)	29.0 (13.1)				
100 (30.5)	25.6 (11.6)	28.5 (12.9)	27.3 (12.3)				100 (30.5)	23.0 (10.4)	25.5 (11.5)	26.7 (12.1)			
120 (36.6)		23.5 (10.6)	21.4 (9.7)	19.6 (8.9)			120 (36.6)	18.9 (8.5)	22.0 (9.9)	21.2 (9.6)	19.0 (8.6)		
140 (42.7)			17.6 (7.9)	15.8 (7.1)	13.5 (6.1)		140 (42.7)		16.4 (7.4)	17.1 (7.7)	15.2 (6.9)	12.8 (5.8)	
160 (48.8)					11.1 (5.0)	9.7 (4.4)	160 (48.8)			14.1 (6.4)	12.5 (5.6)	10.5 (4.7)	9.0 (4.0)
180 (54.9)						7.9 (3.5)	180 (54.9)					8.6 (3.9)	7.3 (3.3)
185 (53.4)						7.5 (3.4)	200 (61.0)						6.0 (2.7)
							205 (62.5)						5.7 (2.5)

This material is supplied for reference use only. Operator must refer to in-cab Crane Rating Manual and Operator's Manual to determine allowable crane lifting capacities and assembly and operating procedures.

180 ft (54.9m) Luffing Boom Length – 360° Rotation – ABCD + A Counterweight [All capacities are listed in kips (mt)]													
140 ft (42.7m) Luffing Jib Length							160 ft (48.8m) Luffing Jib Length						
Load Radius ft (m)	Luffing Boom Angle						Load Radius ft (m)	Luffing Boom Angle					
	87°	85°	80°	75°	70°	65°		87°	85°	80°	75°	70°	
59 (18.0)	24.4 (11.0)						65 (19.8)	20.2 (9.1)					
80 (24.4)	22.8 (10.3)	24.5 (11.1)					80 (24.4)	19.5 (8.8)	20.5 (9.3)				
100 (30.5)	20.5 (9.3)	22.4 (10.1)	25.0 (11.3)				100 (30.5)	17.9 (8.1)	19.6 (8.9)				
120 (36.6)	17.0 (7.7)	20.2 (9.1)	20.6 (9.3)				120 (36.6)	15.3 (6.9)	17.9 (8.1)	19.3 (8.7)			
140 (42.7)	12.5 (5.6)	14.8 (6.7)	16.5 (7.4)	14.6 (6.6)			140 (42.7)	10.8 (4.9)	13.6 (6.1)	16.0 (7.2)	14.0 (6.3)		
160 (48.8)		10.6 (4.8)	13.6 (6.1)	11.9 (5.4)	9.8 (4.4)		160 (48.8)	7.1 (3.2)	9.4 (4.2)	13.0 (5.9)	11.3 (5.1)	9.1 (4.1)	
180 (54.9)			11.3 (5.1)	9.8 (4.4)	8.0 (3.6)	6.6 (3.0)	180 (54.9)		5.9 (2.6)	10.8 (4.9)	9.2 (4.1)	7.3 (3.3)	
200 (61.0)					6.6 (3.0)	5.3 (2.4)	200 (61.0)			7.0 (3.1)	7.6 (3.4)	5.9 (2.6)	

180 ft (54.9m) Luffing Boom Length – 360° Rotation – ABCD + A Counterweight [All capacities are listed in kips (mt)]													
160 ft (48.8m) Luffing Jib + 30 ft (9.1m) Fixed Jib Length													
Load Radius ft (m)	Luffing Boom Angle												
	87°	85°	80°	75°									
74 (22.6)	15.1 (6.8)												
100 (30.5)	14.4 (6.5)	15.4 (6.9)											
120 (36.6)	12.7 (5.7)	14.0 (6.3)	14.8 (6.7)										
140 (42.7)	8.5 (3.8)	11.5 (5.2)	13.2 (5.9)										
160 (48.8)	5.0 (2.2)	7.4 (3.3)	11.7 (5.3)	10.3 (4.6)									
180 (54.9)			9.9 (4.5)	8.3 (3.7)									
200 (61.0)			6.1 (2.7)	6.7 (3.0)									
220 (67.1)				5.4 (2.4)									

This material is supplied for reference use only. Operator must refer to in-cab Crane Rating Manual and Operator’s Manual to determine allowable crane lifting capacities and assembly and operating procedures.

190 ft (57.9m) Luffing Boom Length – 360° Rotation – ABCD + A Counterweight [All capacities are listed in kips (mt)]													
140 ft (42.7m) Luffing Jib Length							160 ft (48.8m) Luffing Jib Length						
Load Radius ft (m)	Luffing Boom Angle						Load Radius ft (m)	Luffing Boom Angle					
	87°	85°	80°	75°	70°	65°		87°	85°	80°	75°	70°	65°
60 (18.3)	22.6 (10.2)						65 (19.8)	18.8 (8.5)					
80 (24.4)	21.2 (9.6)	22.7 (10.3)					80 (24.4)	18.1 (8.2)	19.1 (8.6)				
100 (30.5)	19.0 (8.6)	20.9 (9.4)	22.9 (10.3)				100 (30.5)	16.7 (7.5)	18.2 (8.2)				
120 (36.6)	16.1 (7.3)	19.0 (8.6)	20.3 (9.2)				120 (36.6)	14.4 (6.5)	16.5 (7.4)	17.6 (7.9)			
140 (42.7)	11.7 (5.3)	14.0 (6.3)	16.3 (7.4)	14.2 (6.4)			140 (42.7)	10.1 (4.5)	12.8 (5.8)	15.6 (7.0)	13.6 (6.1)		
160 (48.8)		10.1 (4.5)	13.3 (6.0)	11.5 (5.2)	9.3 (4.2)		160 (48.8)	6.7 (3.0)	8.8 (4.0)	12.8 (5.8)	10.9 (4.9)		
180 (54.9)			11.1 (5.0)	9.5 (4.3)	7.6 (3.4)	6.1 (2.7)	180 (54.9)		5.6 (2.5)	10.5 (4.7)	8.9 (4.0)	6.9 (3.1)	
200 (61.0)					6.2 (2.8)		200 (61.0)			6.9 (3.1)	7.3 (3.3)	5.5 (2.5)	

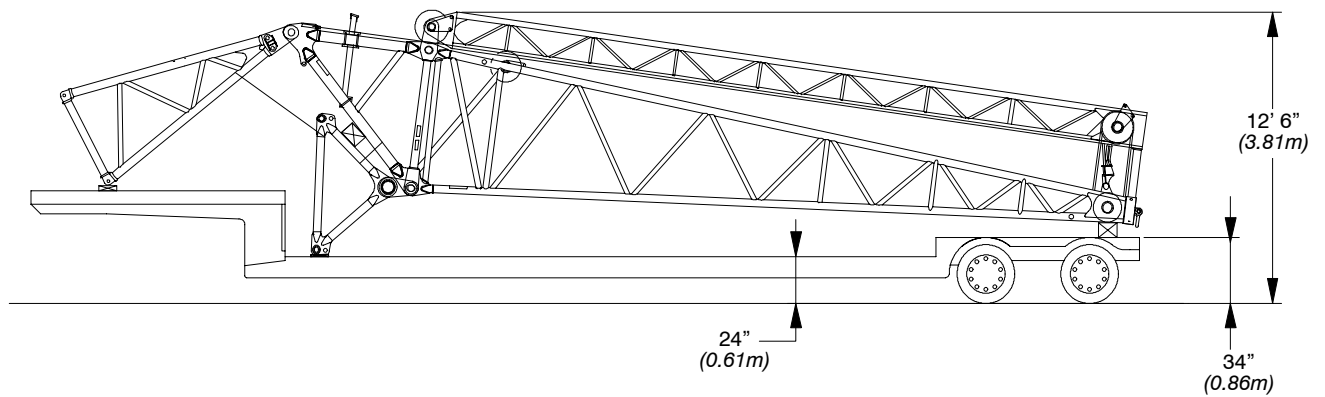
190 ft (57.9m) Luffing Boom Length – 360° Rotation – ABCD + A Counterweight [All capacities are listed in kips (mt)]													
160 ft (48.8m) Luffing Jib + 30 ft (9.1m) Fixed Jib Length													
Load Radius ft (m)	Luffing Boom Angle												
	87°	85°	80°	75°	70°	65°							
74 (22.6)	14.1 (6.4)												
80 (24.4)	14.1 (6.4)												
100 (30.5)	13.3 (6.0)	14.3 (6.4)											
120 (36.6)	11.6 (5.2)	12.8 (5.8)	13.4 (6.0)										
140 (42.7)	7.8 (3.5)	10.5 (4.7)	12.0 (5.4)										
160 (48.8)		6.9 (3.1)	10.5 (4.7)	10.0 (4.5)									
180 (54.9)			9.2 (4.1)	8.0 (3.6)									
200 (61.0)			5.9 (2.6)	6.4 (2.9)									
220 (67.1)				5.2 (2.3)									

This material is supplied for reference use only. Operator must refer to in-cab Crane Rating Manual and Operator's Manual to determine allowable crane lifting capacities and assembly and operating procedures.

Midfall Capacities – 360° Rotation – ABCD + A Counterweight [All capacities are listed in kips (mt)]					
Luffing Boom Length ft (m)	Luffing Jib Length ft (m)	Radii ft (m)	Capacities with 87° Luffing Boom Angle	Radii ft (m)	Capacities with 80° Luffing Boom Angle
80 (24.4)	110–160 (33.5–48.8)	36–50 (11.0–15.2)	15.0 (6.8)	53–60 (16.2–18.3)	15.0 (6.8)
		50–65 (15.2–19.8)	10.0 (4.5)	60–75 (18.3–22.9)	10.0 (4.5)
		65–83 (19.8–25.3)	7.5 (3.4)	75–92 (22.9–28.0)	7.5 (3.4)
100 (30.5)	110–160 (33.5–48.8)	37–50 (11.3–15.2)	15.0 (6.8)	56–60 (17.1–18.3)	15.0 (6.8)
		50–65 (15.2–19.8)	10.0 (4.5)	60–75 (18.3–22.9)	10.0 (4.5)
		65–84 (19.8–25.6)	7.5 (3.4)	75–95 (22.9–29.0)	7.5 (3.4)
120 (36.6)	110–160 (33.5–48.8)	37–50 (11.3–15.2)	15.0 (6.8)	60–65 (18.3–19.8)	15.0 (6.8)
		50–65 (15.2–19.8)	10.0 (4.5)	65–80 (19.8–24.4)	10.0 (4.5)
		65–85 (19.8–25.9)	7.5 (3.4)	80–99 (24.4–30.2)	7.5 (3.4)
140 (42.7)	110–160 (33.5–48.8)	38–50 (11.6–15.2)	15.0 (6.8)	63–70 (19.2–21.3)	15.0 (6.8)
		50–65 (15.2–19.8)	10.0 (4.5)	70–80 (21.3–24.4)	10.0 (4.5)
		65–86 (19.8–26.2)	7.5 (3.4)	80–102 (24.4–31.1)	7.5 (3.4)
160 (48.8)	110–160 (33.5–48.8)	39–55 (11.9–16.8)	15.0 (6.8)	67–70 (20.4–21.3)	15.0 (6.8)
		55–70 (16.8–21.3)	10.0 (4.5)	70–90 (21.3–27.4)	10.0 (4.5)
		70–87 (21.3–26.5)	7.5 (3.4)	90–106 (27.4–32.3)	7.5 (3.4)
180 (54.9)	110–160 (33.5–48.8)	40–55 (12.2–16.8)	15.0 (6.8)	70–75 (21.3–22.9)	15.0 (6.8)
		55–70 (16.8–21.3)	10.0 (4.5)	75–90 (22.9–27.4)	10.0 (4.5)
		70–88 (21.3–26.8)	7.5 (3.4)	90–109 (27.4–33.2)	7.5 (3.4)
190 (57.9)	110–160 (33.5–48.8)	45–55 (13.7–16.8)	15.0 (6.8)	72–80 (21.9–24.4)	15.0 (6.8)
		55–70 (16.8–21.3)	10.0 (4.5)	80–90 (24.4–27.4)	10.0 (4.5)
		70–88 (21.3–26.8)	7.5 (3.4)	90–111 (27.4–33.8)	7.5 (3.4)

This material is supplied for reference use only. Operator must refer to in-cab Crane Rating Manual and Operator's Manual to determine allowable crane lifting capacities and assembly and operating procedures.

Luffing Attachment Transport Drawing



Luffing Attachment Shipping Module #1 – 8,500 lb (3 856kg)

Luffing boom cap with links, balance arm, luffing jib live mast, and luffing jib base section

Link-Belt Construction Equipment Company Lexington, Kentucky www.linkbelt.com

®Link-Belt is a registered trademark. Copyright 2005. We are constantly improving our products and therefore reserve the right to change designs and specifications.