



MLC300

Product Guide

ASME B30.5
Imperial

Features

- 386 USt capacity
- 330 USt capacity VPC-MAX™
- 15,515 ft-kips maximum load moment
- 29,793 ft-kips maximum load moment with VPC-MAX™
- 334.6 ft B10:500 boom
- 393.7 ft B60:500 boom with VPC-MAX™
- 137.8 ft No. 148 fixed jib on B10:500 boom
- 315.0 ft LJ10:501 luffing jib on B10:500 boom

MANITOWOC MLC300

The MLC300 combines class-leading load charts with a reduced footprint thanks to its revolutionary VPC™ technology. This delivers jobsite versatility and outstanding lifting capacity to maximize ROI.

Features

> Crane Control System

The Crane Control System offers a user-friendly interface, two full graphic displays mounted horizontally for better visibility, a jog dial for easier data input and ergonomic joysticks.

> Variable Position Counterweight™ (VPC™)

The Manitowoc MLC300 features a counterweight system which automatically positions the crane's counterweight as required to match lifting demands. Crane lifting capability is optimized by automatic positioning of the counterweight, eliminating the need for carbody counterweight. Additionally, counterweight boxes are designed to be common across multiple crane platforms and are utilized on Manitowoc Model MLC650 as well as future models.

> VPC-MAX™

Capacity and boom and jib combination lengths can be increased through addition of the exclusive VPC-MAX™ attachment. The VPC-MAX™ attachment, configured with 98.4 ft fixed mast counterweight beam and standard VPC™ components, increases the max load moment of the MLC300. The position of the VPC-MAX™ counterweight is automatically positioned based on lifted load, boom length or boom and jib length and load radius.

> FACT™ Connectors

Manitowoc's Fast Aligning Connection Technology (FACT™) automatically aligns crane components for fast, easy assembly.

CraneSTAR®

> CraneSTAR is an exclusive and innovative crane asset management system

that helps improve your profitability and reduce costs by remotely monitoring critical crane data.

Visit www.cranestar.com for more information.



Jobsite benefits

Transportation

The MLC300 is designed to be transported globally with optimized component weights and dimensions. The MLC300 features a removable live mast shipping module and boom inserts designed to allow luffing jib inserts to ship within the boom inserts for cost-effective transport.

Rugged durability and ease of service

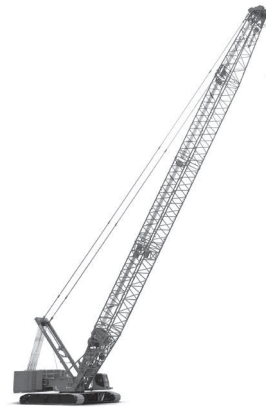
The MLC300 comes equipped with numerous upgrades to spend less time performing maintenance.

- Individual function hour tracking to optimize service intervals
- Remote mounted filters for easy access inside enclosures

Easy and quick assembly

The MLC300 helps you spend less time on the truck and more time on the job.

- Raise full boom and luffing jib combinations without assist
- Self-erect mast cylinder eliminates need to reeve self-assembly block



Manitowoc Crane Care when you need it.
The assurance of the world's most advanced crane service and support to get you back to work fast.

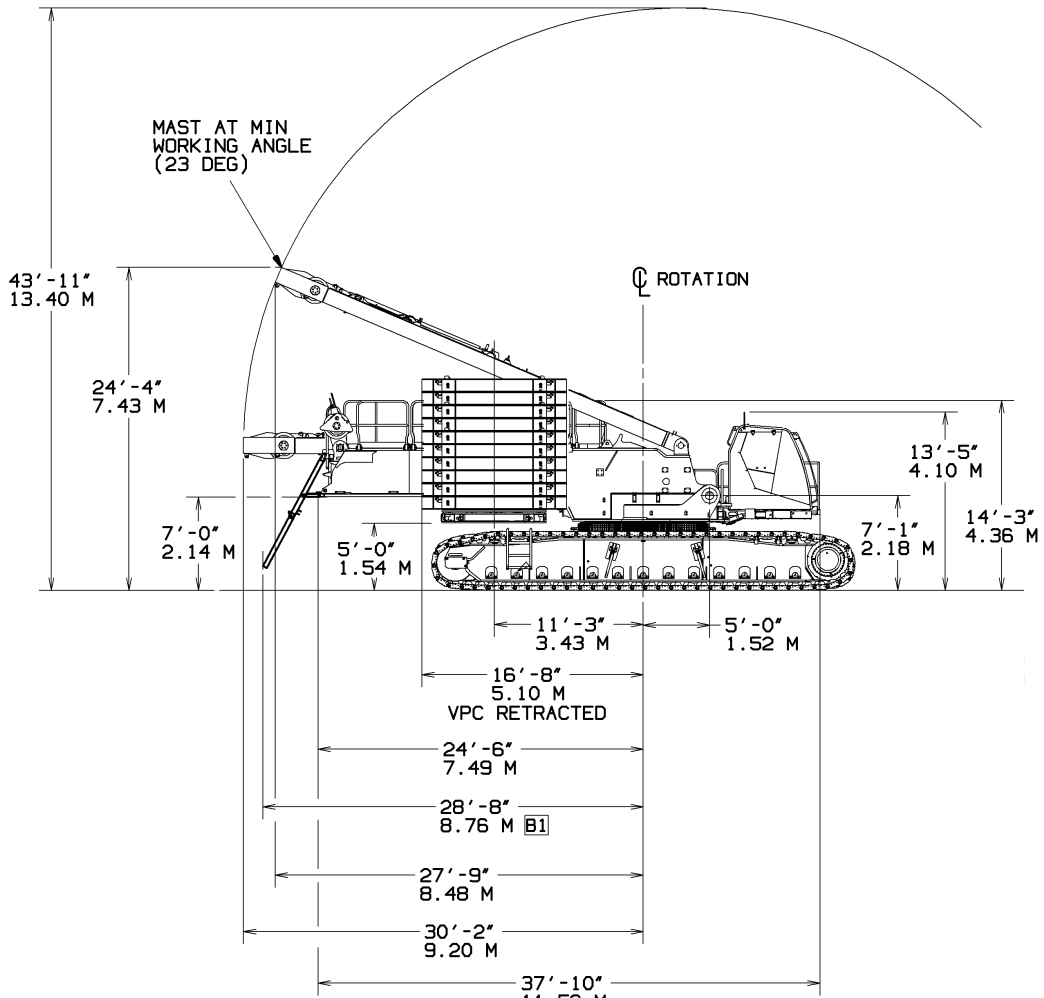


Manitowoc Finance helps you get right to work generating profits for your business.
Financial tools that help you capitalize on opportunity with solutions that fit your needs.

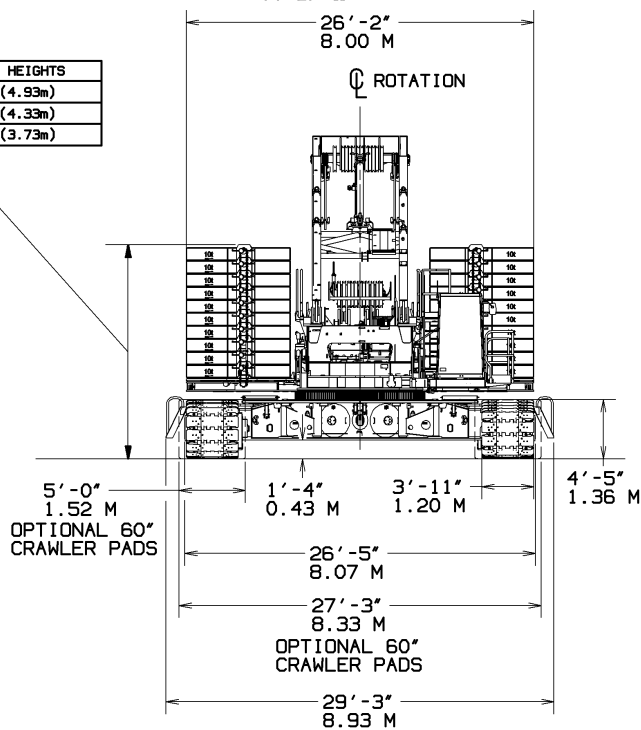
Contents

- Outline dimensions 5
- Transport data10
- Assembly.....11
- Performance data.....13
- Boom combinations15
- Working range/load charts - Main boom16
- Working range/load charts - Fixed jib 18
- Working range/load charts - Luffing jib 23
- Boom combinations - VPC-MAX™26
- Working range/load charts - Main boom - VPC-MAX™27
- Working range/ load charts - Fixed jib - VPC-MAX™ 29
- Working range/ load charts - Luffing jib - VPC-MAX™ 32
- Specifications 34

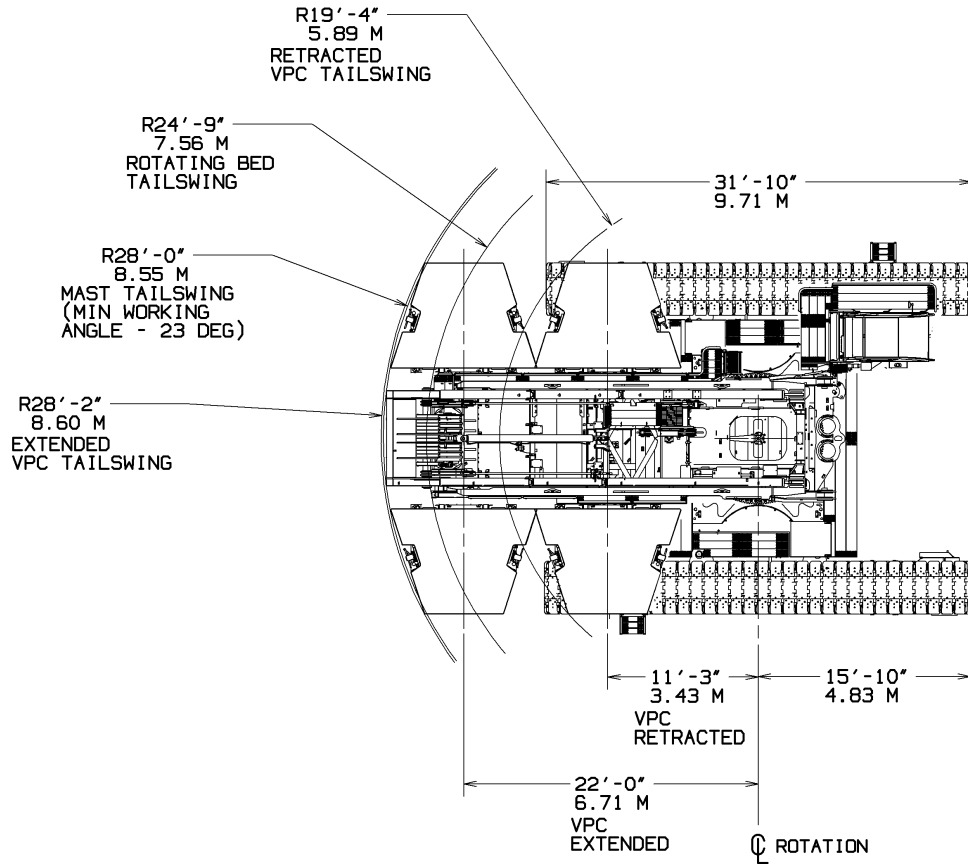
Outline dimensions



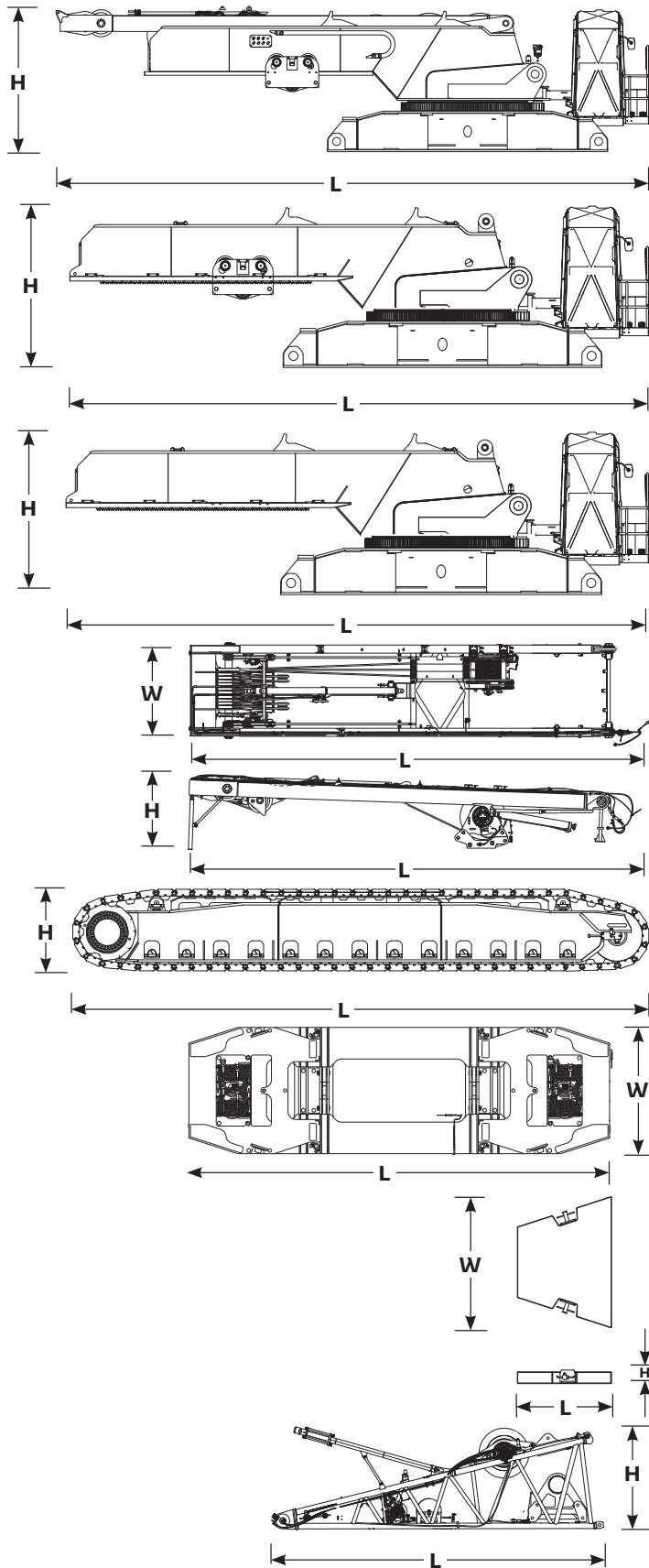
| COUNTERWEIGHT HEIGHTS | |
|-----------------------|----------------|
| SERIES 3 | 16'-1" (4.93m) |
| SERIES 2 | 14'-2" (4.33m) |
| SERIES 1 | 12'-2" (3.73m) |



Outline dimensions



Outline dimensions



Rotating bed assembly

| | |
|--------|------------|
| Length | 44' 11" |
| Width | 9' 10" |
| Height | 10' 6" |
| Weight | 120,800 lb |

Note: includes live mast, boom hoist, carbody jacks and VPC trolley

Rotating bed assembly

| | |
|--------|------------|
| Length | 38' 1" |
| Width | 9' 10" |
| Height | 10' 6" |
| Weight | 101,000 lb |

Note: includes carbody jacks and VPC trolley
Note: excludes live mast, boom hoist

Rotating bed assembly

| | |
|--------|-----------|
| Length | 38' 1" |
| Width | 9' 10" |
| Height | 10' 6" |
| Weight | 93,900 lb |

Note: includes carbody jacks
Note: excludes live mast, boom hoist and VPC trolley

Live mast assembly

| | |
|--------|-----------|
| Length | 33' 10" |
| Width | 7' 7" |
| Height | 5' 11" |
| Weight | 19,800 lb |

Crawlers

| | |
|--------|-----------|
| Length | 31' 10" |
| Width | 3' 11" |
| Height | 4' 3" |
| Weight | 50,000 lb |

Counterweight tray

| | |
|--------|-----------|
| Length | 25' 11" |
| Width | 7' 10" |
| Height | 13' 1" |
| Weight | 26,900 lb |

Counterweight box

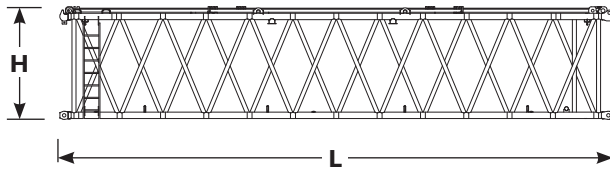
| | |
|--------|-----------|
| Length | 7' 10" |
| Width | 10' 10" |
| Height | 1' 4" |
| Weight | 22,000 lb |

26.2 ft No. 500 boom butt

| | |
|--------|-----------|
| Length | 27' 7" |
| Width | 9' 6" |
| Height | 8' 2" |
| Weight | 36,000 lb |

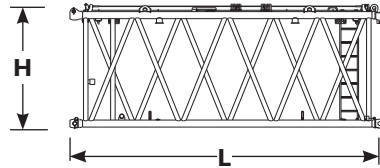
Note: includes main hoist, luffing/auxillary hoist, rigging winch and spring boom stop

Outline dimensions



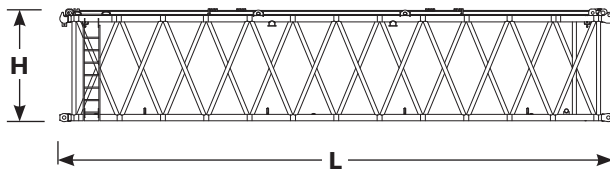
39.4 ft No. 500 main boom heavy insert

| | |
|--------|-----------|
| Length | 40' 0" |
| Width | 9' 10" |
| Height | 8' 2" |
| Weight | 12,300 lb |



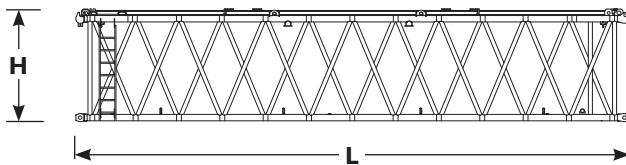
19.7 ft No. 500 main boom medium insert

| | |
|--------|----------|
| Length | 20' 4" |
| Width | 9' 10" |
| Height | 8' 2" |
| Weight | 5,300 lb |



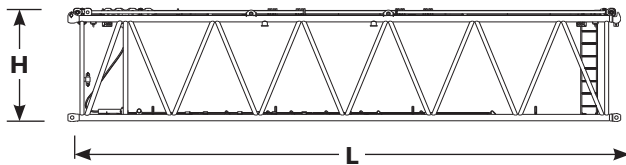
39.4 ft No. 500 main boom medium insert with equalizer brackets

| | |
|--------|----------|
| Length | 40' 0" |
| Width | 9' 10" |
| Height | 8' 2" |
| Weight | 9,900 lb |



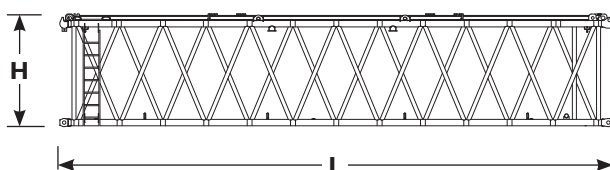
39.4 ft No. 500 main boom medium insert

| | |
|--------|----------|
| Length | 40' 0" |
| Width | 9' 10" |
| Height | 8' 2" |
| Weight | 8,400 lb |



39.4 ft No. 500 main boom light insert with suspension

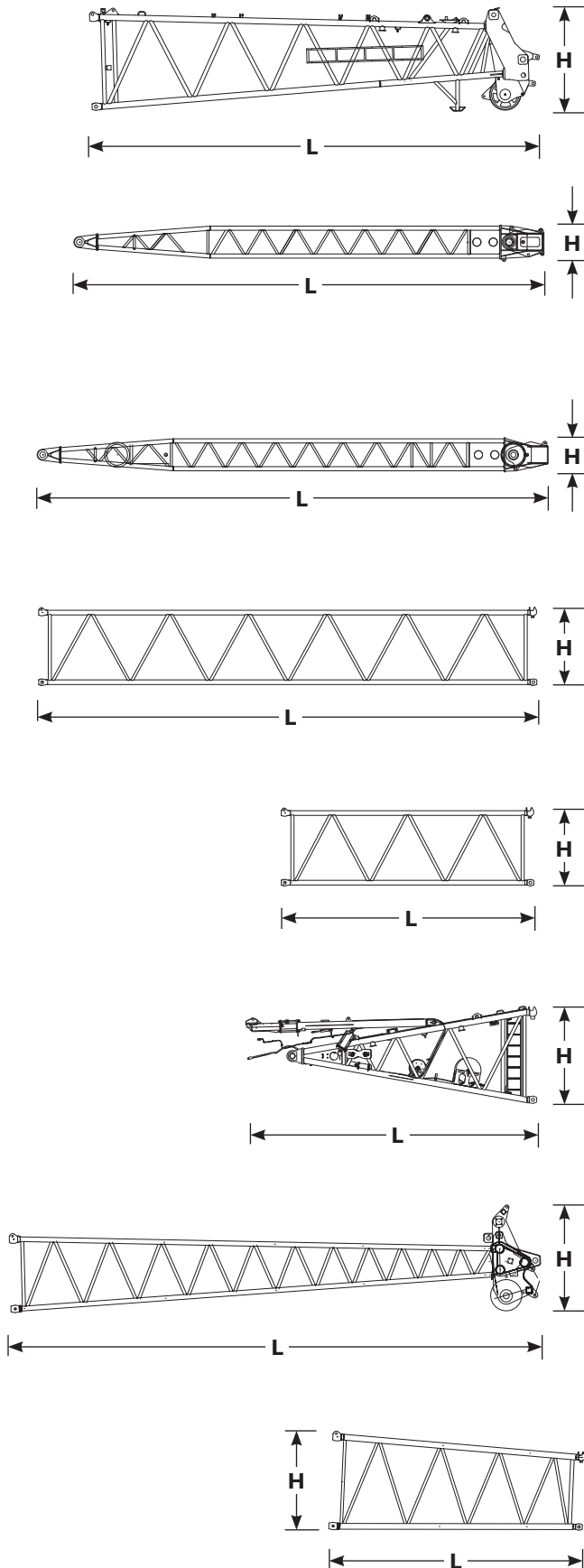
| | |
|--------|----------|
| Length | 40' 0" |
| Width | 9' 10" |
| Height | 8' 2" |
| Weight | 8,400 lb |



39.4 ft No. 500 main boom light insert

| | |
|--------|----------|
| Length | 40' 0" |
| Width | 9' 10" |
| Height | 8' 2" |
| Weight | 7,700 lb |

Outline dimensions



32.8 ft No. 500 boom top

| | |
|--------|-----------|
| Length | 36' 1" |
| Width | 9' 10" |
| Height | 8' 6" |
| Weight | 17,900 lb |

32.8 ft No. 501 luffing jib main strut

| | |
|--------|----------|
| Length | 37' 9" |
| Width | 6' 11" |
| Height | 2' 11" |
| Weight | 7,300 lb |

Note: sheaves, straps, wire rope guide, main strut stops are included

36.1 ft No. 501 luffing jib strut

| | |
|--------|-----------|
| Length | 41' 0" |
| Width | 5' 7" |
| Height | 2' 7" |
| Weight | 10,600 lb |

Note: sheaves, straps, wire rope guide are included

39.4 ft No. 501 luffing jib insert

| | |
|--------|----------|
| Length | 39' 8" |
| Width | 8' 6" |
| Height | 6' 3" |
| Weight | 5,100 lb |

Note: Jib straps are included

19.7 ft No. 501 luffing jib insert

| | |
|--------|----------|
| Length | 20' 0" |
| Width | 8' 6" |
| Height | 6' 3" |
| Weight | 2,900 lb |

Note: Jib straps are included

19.7 ft No. 500A luffing jib butt

| | |
|--------|----------|
| Length | 20' 8" |
| Width | 9' 11" |
| Height | 7' 10" |
| Weight | 7,100 lb |

Note: Jib stops and hinge pins are included

39.4 ft No. 501 luffing jib top

| | |
|--------|-----------|
| Length | 42' 8" |
| Width | 8' 6" |
| Height | 8' 6" |
| Weight | 11,700 lb |

Note: Jib straps, lower point, and wire rope guide are included

19.7 ft No. 500-501 transition insert

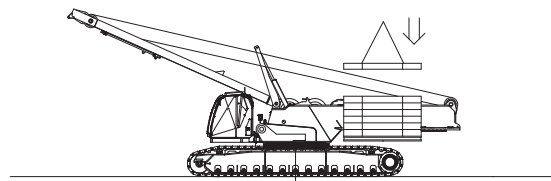
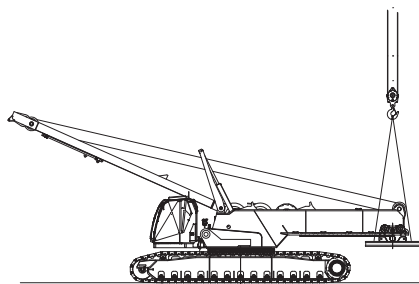
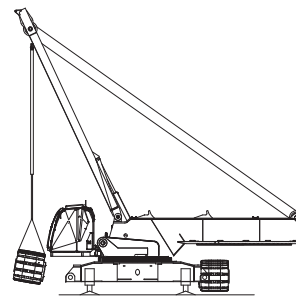
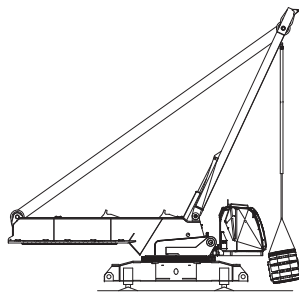
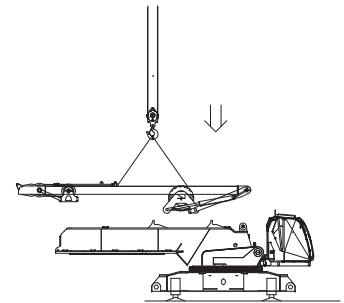
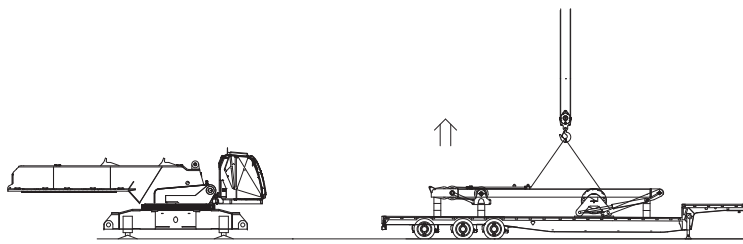
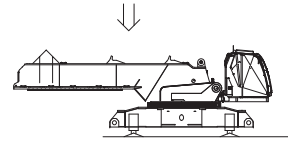
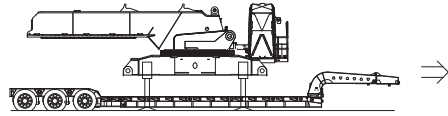
| | |
|--------|----------|
| Length | 20' 4" |
| Width | 9' 11" |
| Height | 8' 2" |
| Weight | 4,900 lb |

Note: Jib straps are included

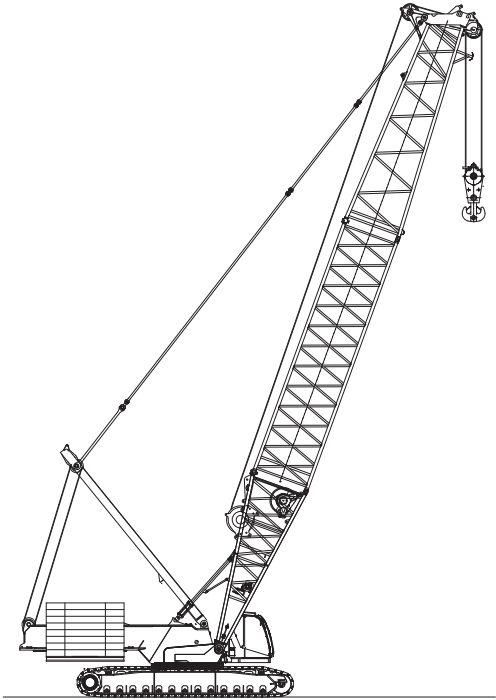
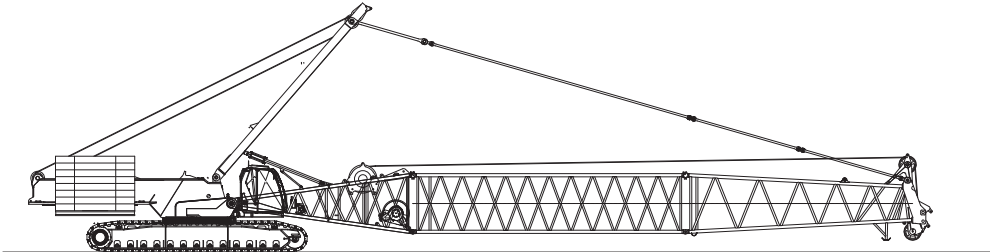
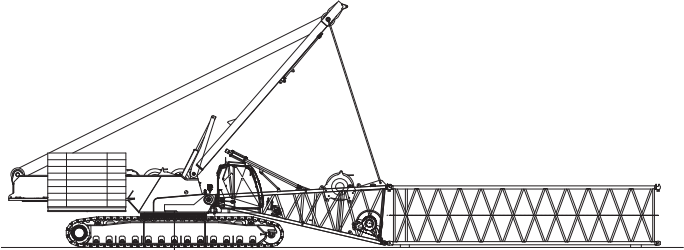
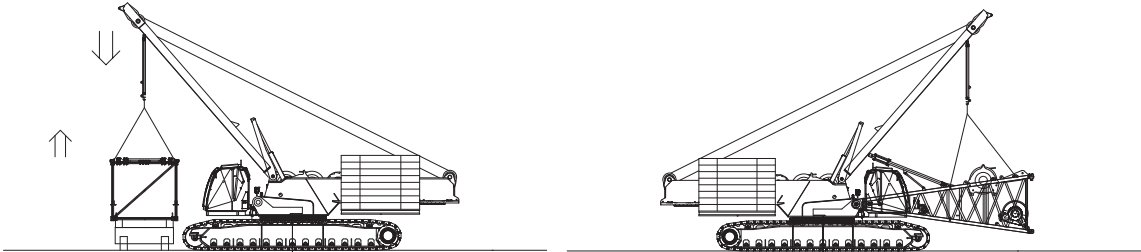
Transport data

| Load summary | | | | | | | | | | | | | | | | | | | |
|-------------------------------------------|----------------------------------------------------------------------------------------------------------------------------------------------------------------|-----------|--------|--------|--------|--------|--------|--------|--------|--------|--------|--------|--------|--------|--------|--------|--------|--------|--------|
| Item | 255.9 ft B10:500 main boom + 39.4 ft No. 148 fixed jib Series 2 counterweight Quantity on trailer load # (Does not include blocking, strapping, etc.) | | | | | | | | | | | | | | | | | | |
| | Qty | Weight lb | 1 | 2 | 3 | 4 | 5 | 6 | 7 | 8 | 9 | 10 | 11 | 12 | 13 | 14 | 15 | 16 | 17 |
| Upperworks module | 1 | 93,900 | 1 | | | | | | | | | | | | | | | | |
| Crawler assembly | 2 | 50,000 | | 1 | 1 | | | | | | | | | | | | | | |
| 26.2 ft No. 500 boom butt | 1 | 36,000 | | | | 1 | | | | | | | | | | | | | |
| Counterweight tray | 1 | 26,900 | | | | | 1 | | | | | | | | | | | | |
| Upper counterweight box | 16 | 22,000 | | | | | 1 | | 1 | 1 | 1 | 1 | 1 | 1 | 1 | 2 | 2 | 2 | 2 |
| Mast shipping module | 1 | 19,800 | | | | | | 1 | | | | | | | | | | | |
| VPC™ actuator | 1 | 7,100 | | | | | | 1 | | | | | | | | | | | |
| 39.4 ft No. 500 heavy insert w/sheaves | 1 | 12,300 | | | | | | | 1 | | | | | | | | | | |
| 39.4 ft No. 500 insert medium | 3 | 8,400 | | | | | | | | 1 | 1 | 1 | | | | | | | |
| 39.4 ft No. 500 insert light w/suspension | 1 | 8,400 | | | | | | | | | | | 1 | | | | | | |
| 32.8 ft No. 500 boom top | 1 | 17,900 | | | | | | | | | | | | 1 | | | | | |
| 39.4 ft No. 148 fixed jib assembly | 1 | 7,900 | | | | | | | | | | | | | 1 | | | | |
| 242 ton block | 1 | 7,100 | | | | | | | | 1 | | | | | | | | | |
| 110 ton block | 1 | 4,200 | | | | | | | | | 1 | | | | | | | | |
| Weight ball | 1 | 1,500 | | | | | | | | | | 1 | | | | | | | |
| Misc. job box | 2 | 2,000 | | | | | | | | | | | 1 | | 1 | | | | |
| Approximate total shipping weight kg | | | 93,900 | 50,000 | 50,000 | 36,000 | 48,900 | 26,900 | 34,300 | 37,500 | 34,600 | 31,900 | 32,400 | 39,900 | 31,900 | 44,000 | 44,000 | 44,000 | 44,000 |

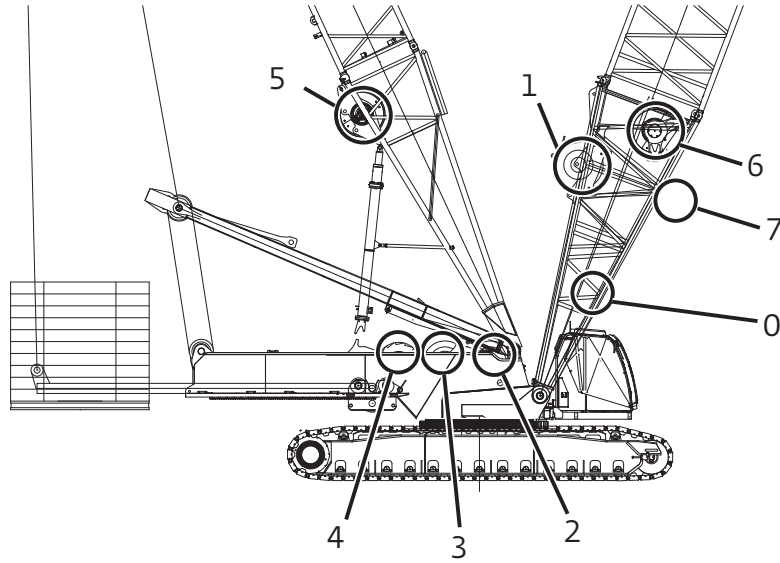
Assembly



Assembly



Performance data



| Drum identification | |
|---------------------|-------------------------------------------|
| Drum number | Function |
| 1 | Main hoist |
| 2* | Auxiliary front hoist (optional) |
| 3* | Auxiliary rear hoist (optional) |
| 4 | Boom/Mast Hoist (VPC-MAX™) |
| 5 | Boom hoist (VPC-MAX™) |
| 6 | Luffing/auxiliary hoist |
| 7 | Tagline Winch (optional, consult factory) |
| 0 | Rigging winch |

*freefall optional

| Working weight | |
|--------------------------|------------|
| 98.4 ft B10:500 boom | 673,000 lb |
| upper boom point | |
| 24.5 ton hook ball | |
| 350 ton hook block | |
| 386,200 lb counterweight | |
| 2 swing drives | |

Performance data

B10:500 / B60:500 boom Hoist reeving for main load block single lead line - 28 mm wire rope

| No. parts of line | Maximum load |
|-------------------|--------------|
| | lb |
| 1 | 36,760 |
| 2 | 73,520 |
| 3 | 110,280 |
| 4 | 147,040 |
| 5 | 183,800 |
| 6 | 220,560 |
| 7 | 257,320 |
| 8 | 294,080 |
| 9 | 330,840 |
| 10 | 367,600 |
| 11 | 404,360 |
| 12 | 441,120 |
| 13 | 477,880 |
| 14 | 514,640 |
| 15 | 551,400 |
| 16 | 588,160 |
| 17 | 624,920 |
| 18 | 661,400 |

B10:500 / B60:500 boom Hoist reeving for drum #6 28 mm wire rope

| No. parts of line | Maximum load |
|-------------------|--------------|
| | lb |
| 1 | 30,000 |
| 2 | 60,000 |

Performance for aux/luffing (drum #6) 28 mm wire rope 30,000 lb maximum line pull

| Single line pull lb | Single line pull/single line speed ft/min | | | | | | |
|---------------------|-------------------------------------------|-----|-----|-----|-----|-----|-----|
| | Layer | | | | | | |
| | 1 | 2 | 3 | 4 | 5 | 6 | 7 |
| 0 | 240 | 259 | 279 | 299 | 315 | 335 | 354 |
| 5,000 | 236 | 253 | 272 | 292 | 308 | 328 | 344 |
| 10,000 | 233 | 249 | 266 | 285 | 302 | 318 | 335 |
| 15,000 | 226 | 246 | 262 | 279 | 295 | 295 | 299 |
| 20,000 | 220 | 223 | 226 | 226 | 230 | 233 | 233 |
| 25,000 | 180 | 184 | 187 | 190 | 190 | 194 | 194 |
| 30,000 | 157 | 157 | 161 | 164 | 164 | 167 | 171 |

Performance for main (drum #1) 28 mm wire rope 36,760 lb maximum line pull

| Single line pull lb | Single line pull/single line speed ft/min | | | | | | | |
|---------------------|-------------------------------------------|-----|-----|-----|-----|-----|-----|-----|
| | Layer | | | | | | | |
| | 1 | 2 | 3 | 4 | 5 | 6 | 7 | 8 |
| 0 | 344 | 371 | 400 | 427 | 453 | 482 | 509 | 535 |
| 5,000 | 338 | 367 | 390 | 404 | 443 | 469 | 495 | 522 |
| 10,000 | 335 | 358 | 384 | 410 | 433 | 459 | 486 | 509 |
| 15,000 | 328 | 351 | 377 | 384 | 387 | 390 | 390 | 394 |
| 20,000 | 292 | 292 | 295 | 299 | 299 | 302 | 302 | 305 |
| 25,000 | 240 | 240 | 243 | 243 | 246 | 249 | 249 | 253 |
| 36,760 | 171 | 171 | 174 | 177 | 177 | 180 | 180 | 184 |

For specific configurations refer to www.cranelibrary.com.

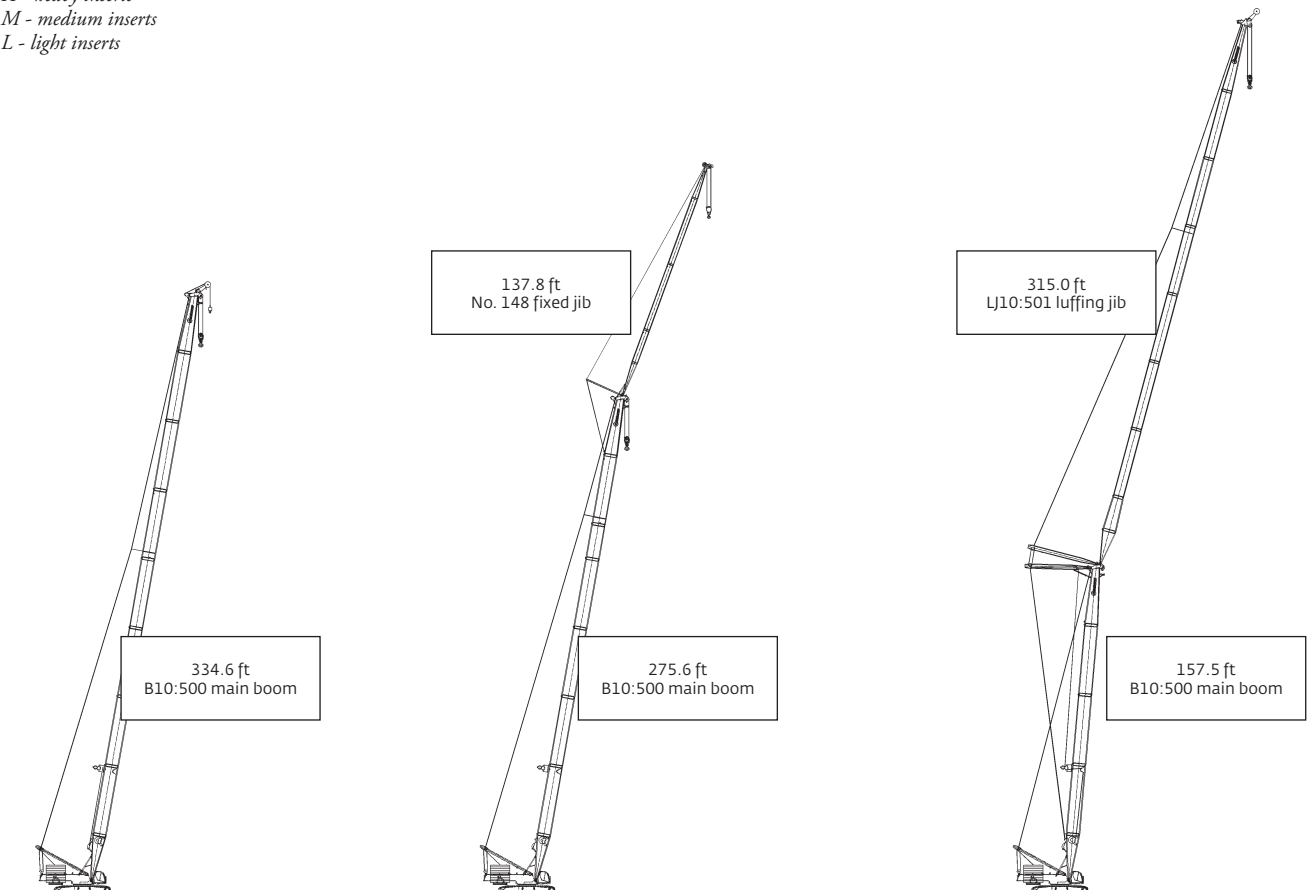
Boom combinations

| B10:500 main boom combinations | | | | |
|--------------------------------|----------------------|--------|--------|--------|
| Boom length ft | Main boom inserts ft | | | |
| | 39.4 H | 19.7 M | 39.4 M | 39.4 L |
| 98.4 | 1 | 0 | 0 | 0 |
| 118.1 | 1 | 1 | 0 | 0 |
| 137.8 | 1 | 0 | 1 | 0 |
| 157.5 | 1 | 1 | 1 | 0 |
| 177.2 | 1 | 0 | 2 | 0 |
| 196.9 | 1 | 1 | 2 | 0 |
| 216.5 | 1 | 0 | 3 | 0 |
| 236.2 | 1 | 1 | 3 | 0 |
| 255.9 | 1 | 0 | 3 | 1 |
| 275.6 | 1 | 1 | 3 | 1 |
| 295.3 | 1 | 0 | 3 | 2 |
| 315.0 | 1 | 1 | 3 | 2 |
| 334.6 | 1 | 0 | 3 | 3 |

| No. 148 fixed jib combinations | | |
|--------------------------------|----------------------|---------|
| Fixed jib ft | Fixed jib inserts ft | |
| | 19.7 ft | 39.4 ft |
| 39.4 | 0 | 0 |
| 59.1 | 1 | 0 |
| 78.7 | 0 | 1 |
| 98.4 | 1 | 1 |
| 118.1 | 0 | 2 |
| 137.8 | 1 | 2 |

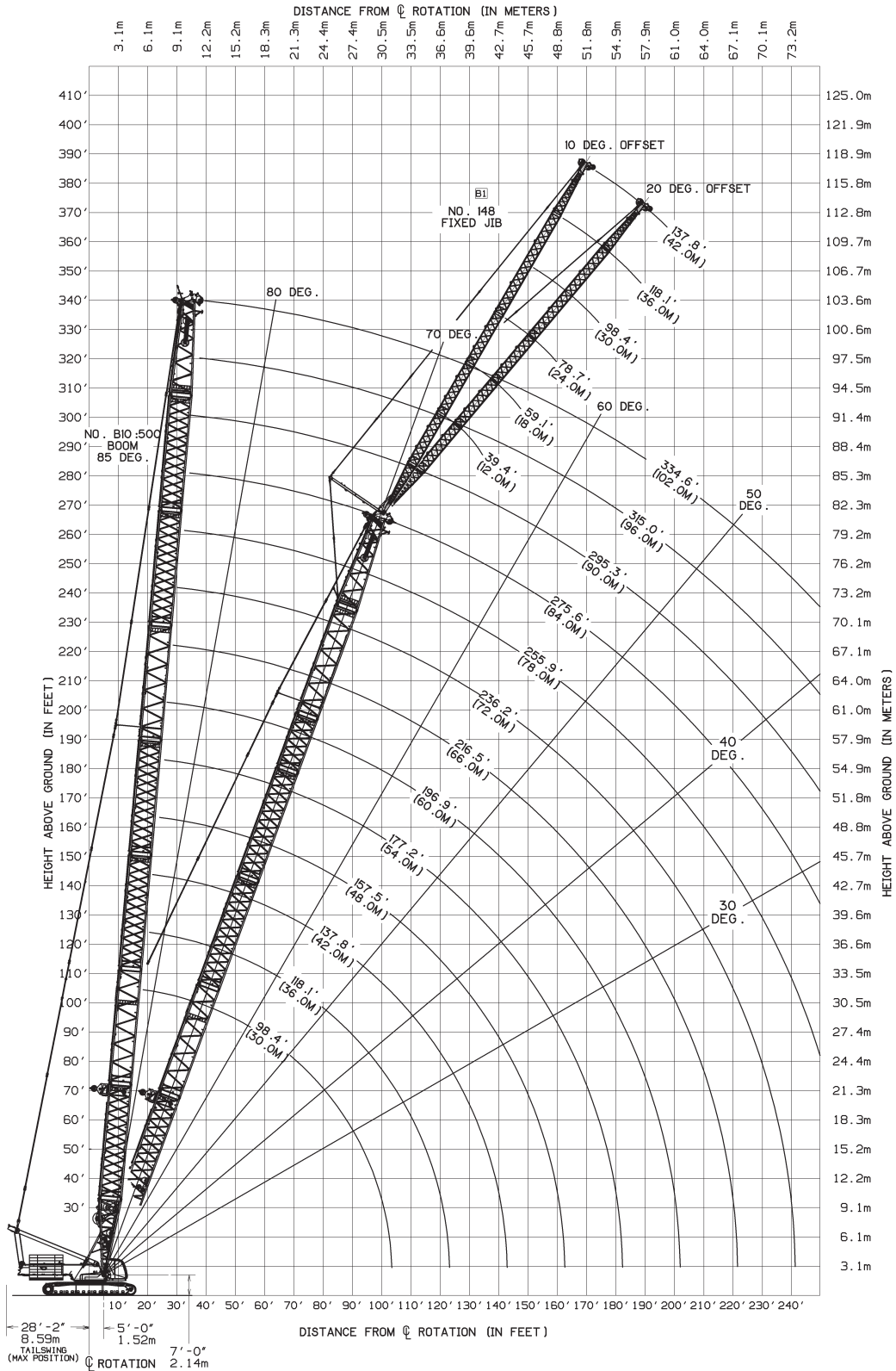
| LJ10:501 luffing jib combinations | | |
|-----------------------------------|------------------------|------|
| Luffing jib length ft | Luffing jib inserts ft | |
| | 19.7 | 39.4 |
| 78.7 | 0 | 0 |
| 98.4 | 1 | 0 |
| 118.1 | 0 | 1 |
| 137.8 | 1 | 1 |
| 157.5 | 0 | 2 |
| 177.2 | 1 | 2 |
| 196.9 | 0 | 3 |
| 216.5 | 1 | 3 |
| 236.2 | 0 | 4 |
| 255.9 | 1 | 4 |
| 275.6 | 0 | 5 |
| 295.3 | 1 | 5 |
| 315.0 | 0 | 6 |

H - heavy inserts
M - medium inserts
L - light inserts



Main boom range diagram

B10:500 boom



THIS CHART IS ONLY A GUIDE AND SHOULD NOT BE USED TO OPERATE THE CRANE.
The individual crane's load chart, operating instructions and other instructional plates must be read and understood prior to operating the crane

Main boom load chart

B10:500 boom Series 3

474,400 lb counterweight

360° Rating

| Radius ft | lb x 1000 | | | | | | | | | | | |
|-----------|----------------|-------|-------|-------|-------|-------|-------|-------|-------|-------|-------|-------|
| | Boom length ft | | | | | | | | | | | |
| | 91.9 | 98 | 118 | 138 | 157 | 177 | 197 | 217 | 236 | 256 | 276 | 295 |
| 18 | 771.6* | 661.4 | — | — | — | — | — | — | — | — | — | — |
| 20 | — | 661.4 | 646.4 | — | — | — | — | — | — | — | — | — |
| 22 | — | 654.9 | 637.6 | 587.6 | — | — | — | — | — | — | — | — |
| 24 | — | 612.4 | 597.8 | 579.8 | 536.9 | 491.0 | — | — | — | — | — | — |
| 26 | — | 575.0 | 562.5 | 546.9 | 530.4 | 486.8 | 424.0 | — | — | — | — | — |
| 28 | — | 541.7 | 530.9 | 517.3 | 502.8 | 482.8 | 420.8 | 373.4 | — | — | — | — |
| 30 | — | 512.0 | 502.6 | 490.6 | 477.9 | 464.4 | 410.9 | 366.5 | 308.9 | — | — | — |
| 34 | — | 455.8 | 453.8 | 444.3 | 434.3 | 423.9 | 388.6 | 348.6 | 306.5 | 255.3 | 216.0 | — |
| 38 | — | 389.5 | 393.3 | 395.1 | 397.6 | 389.5 | 367.8 | 331.5 | 295.8 | 253.3 | 214.2 | 181.1 |
| 40 | — | 361.6 | 365.1 | 366.9 | 369.3 | 372.2 | 357.9 | 323.3 | 289.0 | 252.3 | 213.3 | 180.3 |
| 45 | — | 306.4 | 309.5 | 311.0 | 312.9 | 315.6 | 318.1 | 303.6 | 272.5 | 249.9 | 211.0 | 178.5 |
| 50 | — | 265.5 | 268.4 | 269.6 | 271.2 | 273.7 | 275.9 | 277.4 | 257.0 | 247.4 | 208.8 | 172.4 |
| 60 | — | 209.1 | 211.5 | 212.4 | 213.6 | 215.8 | 217.6 | 218.8 | 220.5 | 221.8 | 201.9 | 158.3 |
| 70 | — | 171.9 | 174.0 | 174.7 | 175.7 | 177.7 | 179.2 | 180.3 | 181.7 | 182.8 | 184.2 | 146.3 |
| 80 | — | 145.5 | 147.5 | 148.0 | 148.8 | 150.7 | 152.1 | 153.0 | 154.2 | 155.2 | 156.3 | 135.7 |
| 90 | — | 125.9 | 127.7 | 128.2 | 128.8 | 130.6 | 131.8 | 132.6 | 133.7 | 134.6 | 135.6 | 126.5 |
| 100 | — | 110.6 | 112.4 | 112.8 | 113.3 | 115.0 | 116.1 | 116.9 | 117.8 | 118.6 | 118.5 | 118.4 |
| 110 | — | — | 100.1 | 100.5 | 101.0 | 102.6 | 103.6 | 104.3 | 105.2 | 105.9 | 102.7 | 103.0 |
| 120 | — | — | — | 90.5 | 90.9 | 92.5 | 93.4 | 94.1 | 94.9 | 93.1 | 89.7 | 89.8 |
| 130 | — | — | — | 82.1 | 82.5 | 84.1 | 84.9 | 85.5 | 83.7 | 82.0 | 78.7 | 78.8 |
| 140 | — | — | — | — | 75.4 | 76.9 | 77.8 | 77.1 | 74.2 | 72.6 | 69.3 | 69.4 |
| 150 | — | — | — | — | 69.3 | 70.9 | 69.7 | 68.7 | 65.9 | 64.4 | 61.2 | 61.2 |
| 160 | — | — | — | — | — | 63.9 | 62.2 | 61.4 | 58.6 | 57.2 | 54.1 | 54.1 |
| 170 | — | — | — | — | — | 56.6 | 55.4 | 54.8 | 52.2 | 50.9 | 47.8 | 47.8 |
| 180 | — | — | — | — | — | — | 49.2 | 48.9 | 46.4 | 45.2 | 42.2 | 42.2 |
| 190 | — | — | — | — | — | — | 43.3 | 43.5 | 41.2 | 40.1 | 37.2 | 37.2 |
| 200 | — | — | — | — | — | — | — | 38.5 | 36.5 | 35.5 | 32.6 | 32.7 |
| 210 | — | — | — | — | — | — | — | 33.6 | 32.1 | 31.3 | 28.5 | 28.5 |
| 220 | — | — | — | — | — | — | — | — | 27.9 | 27.3 | 24.7 | 24.8 |
| 230 | — | — | — | — | — | — | — | — | 23.8 | 23.7 | 21.2 | 21.3 |
| 240 | — | — | — | — | — | — | — | — | — | 20.2 | 17.9 | 18.1 |
| 250 | — | — | — | — | — | — | — | — | — | 16.7 | 14.8 | 15.1 |
| 260 | — | — | — | — | — | — | — | — | — | — | 11.4 | 12.3 |

*Note: Special equipment required.

B10:500 boom Series 2

386,200 lb counterweight

360° Rating

| Radius ft | lb x 1000 | | | | | | | | | | | |
|-----------|----------------|-------|-------|-------|-------|-------|-------|-------|-------|-------|-------|---|
| | Boom length ft | | | | | | | | | | | |
| | 98 | 118 | 138 | 157 | 177 | 197 | 217 | 236 | 256 | 276 | 295 | |
| 20 | 661.4 | 646.4 | — | — | — | — | — | — | — | — | — | — |
| 22 | 640.6 | 623.9 | 587.6 | — | — | — | — | — | — | — | — | — |
| 24 | 599.0 | 584.9 | 567.4 | 536.9 | 491.0 | — | — | — | — | — | — | — |
| 26 | 562.3 | 550.2 | 535.1 | 519.1 | 486.8 | 424.0 | — | — | — | — | — | — |
| 28 | 529.7 | 519.3 | 506.1 | 492.1 | 477.2 | 420.8 | 373.4 | — | — | — | — | — |
| 30 | 491.7 | 491.6 | 479.9 | 467.6 | 454.6 | 410.9 | 366.5 | 308.9 | — | — | — | — |
| 34 | 402.9 | 407.2 | 409.4 | 412.5 | 414.8 | 388.6 | 348.6 | 306.5 | 255.3 | 216.0 | — | — |
| 38 | 340.9 | 344.6 | 346.5 | 349.1 | 352.1 | 355.3 | 331.5 | 295.8 | 253.3 | 214.2 | 181.1 | — |
| 40 | 316.4 | 319.9 | 321.6 | 324.0 | 326.9 | 329.9 | 323.3 | 289.0 | 252.3 | 213.3 | 180.3 | — |
| 45 | 267.9 | 271.0 | 272.5 | 274.5 | 277.1 | 279.6 | 281.3 | 272.5 | 249.9 | 211.0 | 178.5 | — |
| 50 | 232.0 | 234.9 | 236.1 | 237.8 | 240.2 | 242.4 | 243.9 | 246.0 | 247.4 | 208.8 | 172.4 | — |
| 60 | 182.5 | 184.9 | 185.8 | 187.0 | 189.2 | 191.0 | 192.2 | 193.9 | 195.2 | 196.9 | 158.3 | — |
| 70 | 149.8 | 151.9 | 152.7 | 153.7 | 155.6 | 157.2 | 158.2 | 159.7 | 160.8 | 162.1 | 146.3 | — |
| 80 | 126.7 | 128.6 | 129.2 | 130.0 | 131.9 | 133.2 | 134.1 | 135.4 | 136.3 | 137.5 | 135.7 | — |
| 90 | 109.4 | 111.2 | 111.7 | 112.4 | 114.2 | 115.4 | 116.2 | 117.3 | 118.1 | 119.2 | 119.7 | — |
| 100 | 96.0 | 97.8 | 98.2 | 98.7 | 100.4 | 101.5 | 102.3 | 103.3 | 104.0 | 102.6 | 102.2 | — |
| 110 | — | 87.0 | 87.4 | 87.9 | 89.5 | 90.5 | 91.2 | 90.6 | 90.0 | 88.3 | 87.9 | — |
| 120 | — | — | 78.6 | 79.0 | 80.6 | 81.1 | 80.7 | 79.0 | 78.3 | 76.6 | 76.3 | — |
| 130 | — | — | 71.3 | 71.6 | 72.9 | 71.5 | 71.0 | 69.3 | 68.6 | 66.9 | 66.5 | — |
| 140 | — | — | — | 64.8 | 64.7 | 63.3 | 62.9 | 61.1 | 60.4 | 58.7 | 58.3 | — |
| 150 | — | — | — | 57.6 | 57.7 | 56.3 | 55.9 | 54.1 | 53.4 | 51.6 | 51.3 | — |
| 160 | — | — | — | — | 51.5 | 50.2 | 49.8 | 48.1 | 47.3 | 45.5 | 45.2 | — |
| 170 | — | — | — | — | 46.1 | 44.8 | 44.4 | 42.7 | 42.0 | 40.2 | 39.9 | — |
| 180 | — | — | — | — | — | 40.0 | 39.7 | 38.0 | 37.3 | 35.5 | 35.2 | — |
| 190 | — | — | — | — | — | 35.8 | 35.5 | 33.8 | 33.1 | 31.3 | 31.0 | — |
| 200 | — | — | — | — | — | — | 31.7 | 30.1 | 29.3 | 27.6 | 27.3 | — |
| 210 | — | — | — | — | — | — | 28.2 | 26.6 | 26.0 | 24.2 | 23.9 | — |
| 220 | — | — | — | — | — | — | — | 23.5 | 22.9 | 21.1 | 20.9 | — |
| 230 | — | — | — | — | — | — | — | 20.7 | 20.1 | 18.3 | 18.1 | — |
| 240 | — | — | — | — | — | — | — | — | 17.5 | 15.8 | 15.5 | — |
| 250 | — | — | — | — | — | — | — | — | 15.0 | 13.4 | 13.2 | — |
| 260 | — | — | — | — | — | — | — | — | — | 11.2 | 11.0 | — |

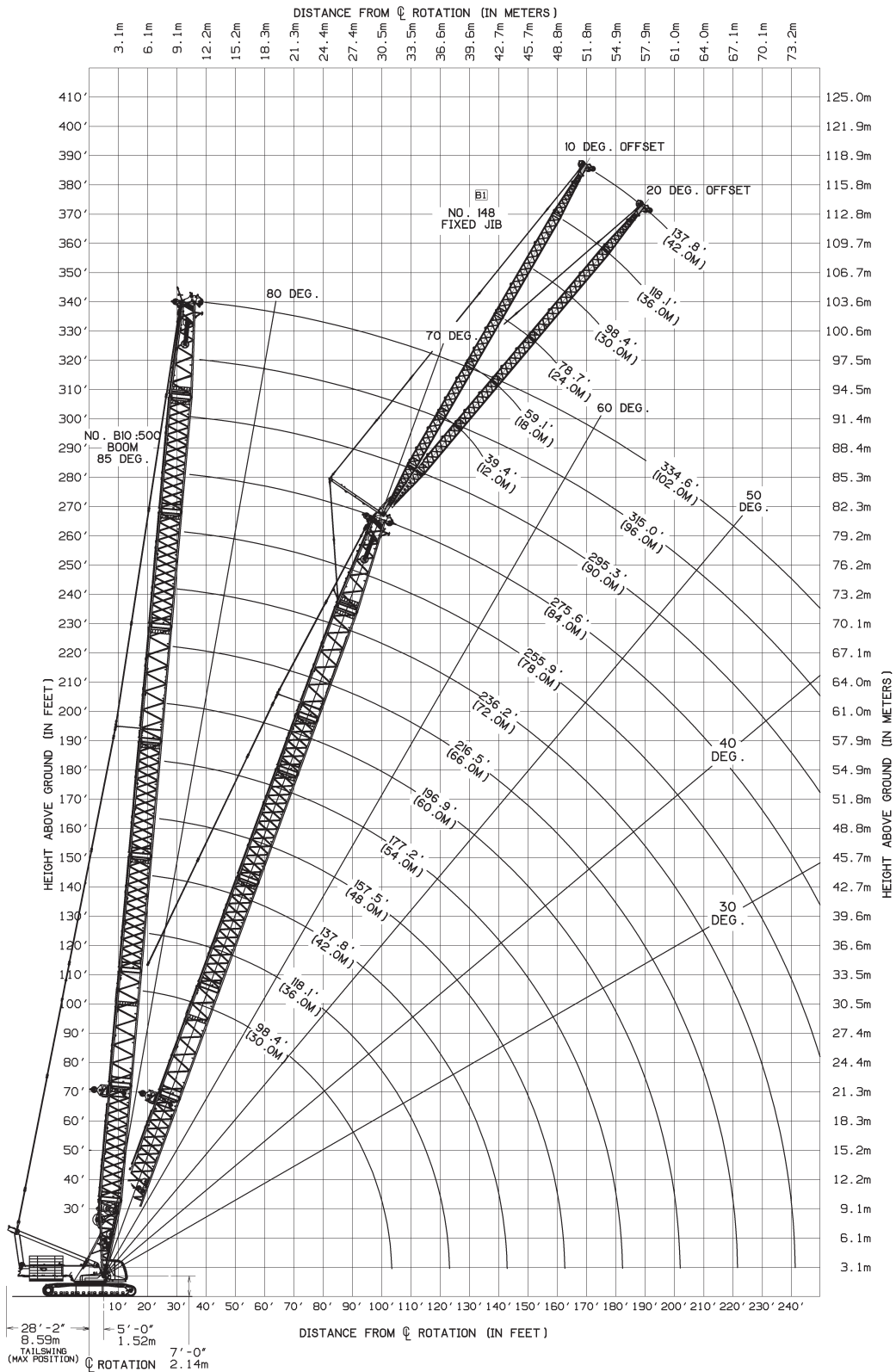
For complete chart, refer to www.cranelibrary.com.

THIS CHART IS ONLY A GUIDE AND SHOULD NOT BE USED TO OPERATE THE CRANE.

The individual crane's load chart, operating instructions and other instructional plates must be read and understood prior to operating the crane

Fixed jib range diagram

No. 148 fixed jib on B10:500 boom



THIS CHART IS ONLY A GUIDE AND SHOULD NOT BE USED TO OPERATE THE CRANE.

The individual crane's load chart, operating instructions and other instructional plates must be read and understood prior to operating the crane

Fixed jib load chart

No. 148 fixed jib on B10:500 boom Series 3

474,400 lb counterweight 360° Rating lb x 1000

| 39 ft jib length | | 10° offset | | | | |
|------------------|----------------|------------|-------|-------|-------|--|
| Radius ft | boom length ft | | | | | |
| | 98 | 138 | 197 | 256 | 295 | |
| 30 | 143.3 | 143.3 | — | — | — | |
| 40 | 143.3 | 143.3 | 143.3 | 141.8 | — | |
| 50 | 143.3 | 143.3 | 143.3 | 140.3 | 117.5 | |
| 60 | 134.6 | 143.3 | 143.3 | 138.9 | 107.6 | |
| 80 | 106.7 | 125.6 | 142.1 | 124.1 | 91.6 | |
| 100 | 88.7 | 105.8 | 112.8 | 110.6 | 79.3 | |
| 120 | 76.5 | 87.8 | 89.9 | 91.6 | 69.6 | |
| 140 | 68.9 | 72.3 | 74.1 | 73.2 | 61.8 | |
| 160 | — | 60.9 | 62.6 | 57.7 | 54.2 | |
| 180 | — | — | 51.5 | 45.6 | 42.2 | |
| 200 | — | — | 41.3 | 35.9 | 32.6 | |
| 220 | — | — | 32.5 | 27.9 | 24.6 | |
| 240 | — | — | — | 21.1 | 18.0 | |
| 260 | — | — | — | 15.2 | 12.3 | |
| 280 | — | — | — | 9.8 | 7.3 | |

| 39 ft jib length | | 20° offset | | | | |
|------------------|----------------|------------|-------|-------|-------|--|
| Radius ft | boom length ft | | | | | |
| | 98 | 138 | 197 | 256 | 295 | |
| 34 | 143.3 | — | — | — | — | |
| 40 | 135.5 | 143.3 | — | — | — | |
| 50 | 119.2 | 129.1 | 138.6 | 129.8 | 104.9 | |
| 60 | 106.7 | 117.4 | 128.3 | 122.2 | 96.9 | |
| 80 | 88.6 | 99.8 | 112.1 | 109.4 | 83.7 | |
| 100 | 76.4 | 87.2 | 99.8 | 99.2 | 73.4 | |
| 120 | 68.2 | 77.9 | 90.2 | 90.8 | 65.1 | |
| 140 | — | 71.0 | 74.4 | 74.7 | 58.3 | |
| 160 | — | 61.0 | 62.8 | 58.9 | 52.6 | |
| 180 | — | — | 52.2 | 46.6 | 43.4 | |
| 200 | — | — | 41.8 | 36.8 | 33.6 | |
| 220 | — | — | 32.7 | 28.6 | 25.5 | |
| 240 | — | — | — | 21.6 | 18.7 | |
| 260 | — | — | — | 15.5 | 12.8 | |
| 280 | — | — | — | — | 7.7 | |

| 79 ft jib length | | 10° offset | | | | |
|------------------|----------------|------------|------|------|------|--|
| Radius ft | boom length ft | | | | | |
| | 98 | 138 | 177 | 216 | 276 | |
| 40 | 86.3 | — | — | — | — | |
| 50 | 80.9 | 82.6 | 83.1 | 82.4 | — | |
| 60 | 76.1 | 78.5 | 79.7 | 79.7 | 77.2 | |
| 80 | 67.4 | 71.5 | 73.7 | 74.7 | 73.5 | |
| 100 | 55.2 | 63.2 | 68.5 | 70.2 | 70.2 | |
| 110 | 50.6 | 58.3 | 65.0 | 68.2 | 68.6 | |
| 120 | 46.7 | 54.1 | 60.6 | 66.2 | 67.1 | |
| 130 | 43.3 | 50.5 | 56.8 | 62.4 | 65.7 | |
| 140 | 40.4 | 47.3 | 53.4 | 58.9 | 64.2 | |
| 150 | 37.9 | 44.5 | 50.4 | 55.8 | 62.5 | |
| 160 | 35.7 | 42.0 | 47.8 | 53.0 | 59.0 | |
| 170 | 33.8 | 39.8 | 45.4 | 50.5 | 52.6 | |
| 180 | — | 37.8 | 43.1 | 48.1 | 46.8 | |
| 190 | — | 36.0 | 41.2 | 46.0 | 41.7 | |
| 200 | — | 34.5 | 39.4 | 44.1 | 37.1 | |
| 220 | — | — | 36.3 | 36.3 | 29.1 | |
| 240 | — | — | 32.5 | 29.4 | 22.4 | |
| 260 | — | — | — | 23.3 | 16.7 | |
| 280 | — | — | — | 17.7 | 11.7 | |
| 300 | — | — | — | — | 7.2 | |

| 79 ft jib length | | 20° offset | | | | |
|------------------|----------------|------------|------|------|------|--|
| Radius ft | boom length ft | | | | | |
| | 98 | 138 | 177 | 216 | 276 | |
| 60 | 63.5 | 66.7 | 68.8 | — | — | |
| 80 | 51.8 | 56.0 | 59.2 | 61.6 | 63.9 | |
| 100 | 43.8 | 48.3 | 51.8 | 54.7 | 57.8 | |
| 110 | 40.6 | 45.2 | 48.8 | 51.8 | 55.1 | |
| 120 | 38.0 | 42.5 | 46.2 | 49.2 | 52.7 | |
| 130 | 35.6 | 40.1 | 43.7 | 46.9 | 50.6 | |
| 140 | 33.6 | 38.0 | 41.6 | 44.7 | 48.5 | |
| 150 | 31.8 | 36.1 | 39.7 | 42.9 | 46.6 | |
| 160 | 30.4 | 34.4 | 38.0 | 41.1 | 44.9 | |
| 170 | 29.3 | 32.9 | 36.4 | 39.5 | 43.3 | |
| 180 | — | 31.6 | 35.0 | 38.0 | 41.9 | |
| 190 | — | 30.5 | 33.7 | 36.7 | 40.5 | |
| 200 | — | 29.6 | 32.5 | 35.4 | 39.1 | |
| 220 | — | — | 30.6 | 33.3 | 30.8 | |
| 240 | — | — | 29.2 | 30.3 | 23.8 | |
| 260 | — | — | — | 23.9 | 17.9 | |
| 280 | — | — | — | — | 12.6 | |
| 300 | — | — | — | — | 8.0 | |

For complete chart, refer to www.cranelibrary.com.

THIS CHART IS ONLY A GUIDE AND SHOULD NOT BE USED TO OPERATE THE CRANE.

The individual crane's load chart, operating instructions and other instructional plates must be read and understood prior to operating the crane

Fixed jib load chart

No. 148 fixed jib on B10:500 boom Series 3

474,400 lb counterweight 360° Rating lb x 1000

| 98 ft jib length | | 10° offset | | | | |
|------------------|----------------|------------|------|------|------|--|
| Radius ft | boom length ft | | | | | |
| | 98 | 138 | 197 | 256 | 276 | |
| 50 | 65.1 | 65.9 | 65.8 | — | — | |
| 60 | 61.3 | 62.8 | 63.4 | 62 | 61.3 | |
| 70 | 57.4 | 59.8 | 61.2 | 60.3 | 59.7 | |
| 80 | 53.7 | 56.7 | 59 | 58.7 | 58.3 | |
| 90 | 50.3 | 53.7 | 56.9 | 57.2 | 56.9 | |
| 100 | 47.2 | 50.9 | 54.6 | 55.6 | 55.5 | |
| 120 | 40.9 | 46 | 50.3 | 52.4 | 52.7 | |
| 140 | 34.9 | 40.8 | 46.5 | 49.1 | 49.7 | |
| 160 | 30.4 | 35.8 | 42.9 | 46.2 | 46.9 | |
| 180 | 26.9 | 31.8 | 38.5 | 43.6 | 44.4 | |
| 200 | — | 28.6 | 34.9 | 40.3 | 38.3 | |
| 220 | — | 26.1 | 31.9 | 33.3 | 30.4 | |
| 240 | — | — | 29.3 | 26.5 | 23.7 | |
| 260 | — | — | 26.2 | 20.8 | 18 | |
| 280 | — | — | 20.6 | 15.8 | 13.1 | |
| 300 | — | — | — | 11.3 | 8.7 | |
| 320 | — | — | — | 7.3 | — | |

| 98 ft jib length | | 20° offset | | | | |
|------------------|----------------|------------|------|------|------|--|
| Radius ft | boom length ft | | | | | |
| | 98 | 138 | 197 | 256 | 276 | |
| 60 | 54.8 | — | — | — | — | |
| 70 | 50.9 | 52.9 | 53.8 | — | — | |
| 80 | 45.9 | 49 | 51.8 | 51.9 | 51.8 | |
| 90 | 41.7 | 45.1 | 48.9 | 50.4 | 50.4 | |
| 100 | 38.2 | 41.8 | 45.8 | 48.4 | 49 | |
| 120 | 32.7 | 36.3 | 40.6 | 43.6 | 44.6 | |
| 140 | 28.5 | 32.1 | 36.4 | 39.7 | 40.7 | |
| 160 | 25.2 | 28.7 | 33 | 36.3 | 37.4 | |
| 180 | 22.8 | 25.9 | 30.1 | 33.5 | 34.6 | |
| 200 | — | 23.8 | 27.8 | 31.1 | 32.2 | |
| 220 | — | 22.1 | 25.8 | 29 | 30 | |
| 240 | — | — | 24.1 | 27.2 | 25.6 | |
| 260 | — | — | 22.7 | 22.2 | 19.6 | |
| 280 | — | — | 21.1 | 17 | 14.4 | |
| 300 | — | — | — | 12.3 | 9.8 | |
| 320 | — | — | — | 8 | — | |

| 138 ft jib length | | 10° offset | | | | |
|-------------------|----------------|------------|------|------|------|--|
| Radius ft | boom length ft | | | | | |
| | 98 | 138 | 197 | 256 | 276 | |
| 50 | 44.2 | — | — | — | — | |
| 60 | 41.1 | 42 | 42.2 | — | — | |
| 70 | 38.1 | 39.5 | 40.6 | 39.1 | 38.5 | |
| 80 | 35.2 | 37.1 | 38.6 | 38.1 | 37.6 | |
| 90 | 32.6 | 34.7 | 36.7 | 37.1 | 36.7 | |
| 100 | 30.1 | 32.5 | 34.9 | 35.8 | 35.7 | |
| 120 | 25.8 | 28.5 | 31.4 | 33 | 33.3 | |
| 140 | 22.2 | 25 | 28.3 | 30.3 | 30.8 | |
| 160 | 19.2 | 22.1 | 25.5 | 27.8 | 28.5 | |
| 180 | 16.8 | 19.5 | 23 | 25.5 | 26.3 | |
| 200 | 14.7 | 17.4 | 20.8 | 23.5 | 24.3 | |
| 220 | 13 | 15.5 | 18.9 | 21.6 | 22.5 | |
| 240 | — | 13.9 | 17.2 | 19.9 | 20.8 | |
| 260 | — | 12.7 | 15.7 | 18.4 | 19.3 | |
| 280 | — | — | 14.4 | 17.1 | 15.5 | |
| 300 | — | — | 13.2 | 13.9 | 11.3 | |
| 320 | — | — | 12.4 | 10.1 | 7.5 | |
| 340 | — | — | — | 6.6 | — | |

| 138 ft jib length | | 20° offset | | | | |
|-------------------|----------------|------------|------|------|------|--|
| Radius ft | boom length ft | | | | | |
| | 98 | 138 | 197 | 256 | 276 | |
| 80 | 31.1 | 32 | 32.8 | — | — | |
| 90 | 28.8 | 30 | 31.1 | 31.4 | 31.5 | |
| 100 | 26.8 | 28.2 | 29.6 | 30.2 | 30.3 | |
| 120 | 23.1 | 24.9 | 26.8 | 27.9 | 28.1 | |
| 140 | 20.2 | 22.1 | 24.3 | 25.7 | 26.1 | |
| 160 | 17.6 | 19.7 | 22 | 23.7 | 24.2 | |
| 180 | 15.5 | 17.6 | 20.1 | 21.9 | 22.5 | |
| 200 | 13.8 | 15.8 | 18.4 | 20.3 | 20.9 | |
| 220 | 12.5 | 14.4 | 16.8 | 18.9 | 19.5 | |
| 240 | — | 13.2 | 15.6 | 17.6 | 18.2 | |
| 260 | — | 12.3 | 14.4 | 16.4 | 17.1 | |
| 280 | — | — | 13.5 | 15.4 | 16 | |
| 300 | — | — | 12.7 | 14.5 | 13.1 | |
| 320 | — | — | 12.1 | 11.5 | 9.1 | |
| 340 | — | — | — | 7.7 | — | |

For complete chart, refer to www.cranelibrary.com.

THIS CHART IS ONLY A GUIDE AND SHOULD NOT BE USED TO OPERATE THE CRANE.

The individual crane's load chart, operating instructions and other instructional plates must be read and understood prior to operating the crane

Fixed jib load chart

No. 148 fixed jib on B10:500 boom Series 2

386,200 lb counterweight 360° Rating lb x 1000

| 39 ft jib length | | 10° offset | | | | |
|------------------|----------------|------------|-------|-------|-------|--|
| Radius ft | boom length ft | | | | | |
| | 98 | 138 | 197 | 256 | 295 | |
| 30 | 143.3 | 143.3 | — | — | — | |
| 40 | 143.3 | 143.3 | 143.3 | 141.8 | — | |
| 50 | 143.3 | 143.3 | 143.3 | 140.3 | 117.5 | |
| 60 | 134.6 | 143.3 | 143.3 | 138.9 | 107.6 | |
| 80 | 106.7 | 125.6 | 130.2 | 124.1 | 91.6 | |
| 100 | 88.7 | 95.7 | 98.2 | 100.3 | 79.3 | |
| 120 | 74.9 | 75.9 | 78 | 79.8 | 69.6 | |
| 140 | 61.2 | 62.2 | 64.1 | 61.6 | 59.3 | |
| 160 | — | 52.2 | 51.8 | 48.3 | 45.9 | |
| 180 | — | — | 41.6 | 38 | 35.7 | |
| 200 | — | — | 33.4 | 30 | 27.6 | |
| 220 | — | — | 26.7 | 23.4 | 21 | |
| 240 | — | — | — | 17.9 | 15.6 | |
| 260 | — | — | — | 13.3 | 10.4 | |
| 280 | — | — | — | 8.8 | — | |

| 39 ft jib length | | 20° offset | | | | |
|------------------|----------------|------------|-------|-------|-------|--|
| Radius ft | boom length ft | | | | | |
| | 98 | 138 | 197 | 256 | 295 | |
| 34 | 143.3 | — | — | — | — | |
| 40 | 135.5 | 143.3 | — | — | — | |
| 50 | 119.2 | 129.1 | 138.6 | 129.8 | 104.9 | |
| 60 | 106.7 | 117.4 | 128.3 | 122.2 | 96.9 | |
| 80 | 88.6 | 99.8 | 112.1 | 109.4 | 83.7 | |
| 100 | 76.4 | 87.2 | 98.7 | 99.2 | 73.4 | |
| 120 | 68.2 | 76.2 | 78.4 | 80.1 | 65.1 | |
| 140 | — | 62.4 | 64.4 | 62.9 | 58.3 | |
| 160 | — | 52.3 | 52.5 | 49.3 | 47.1 | |
| 180 | — | — | 42.1 | 38.9 | 36.7 | |
| 200 | — | — | 33.8 | 30.6 | 28.4 | |
| 220 | — | — | 26.9 | 23.9 | 21.7 | |
| 240 | — | — | — | 18.3 | 16.1 | |
| 260 | — | — | — | 13.5 | 10.9 | |

| 79 ft jib length | | 10° offset | | | | |
|------------------|----------------|------------|------|------|------|--|
| Radius ft | boom length ft | | | | | |
| | 98 | 138 | 177 | 216 | 276 | |
| 40 | 86.3 | — | — | — | — | |
| 50 | 80.9 | 82.6 | 83.1 | 82.4 | — | |
| 60 | 76.1 | 78.5 | 79.7 | 79.7 | 77.2 | |
| 80 | 67.4 | 71.5 | 73.7 | 74.7 | 73.5 | |
| 100 | 55.2 | 63.2 | 68.5 | 70.2 | 70.2 | |
| 110 | 50.6 | 58.3 | 65 | 68.2 | 68.6 | |
| 120 | 46.7 | 54.1 | 60.6 | 66.2 | 67.1 | |
| 130 | 43.3 | 50.5 | 56.8 | 62.4 | 65.7 | |
| 140 | 40.4 | 47.3 | 53.4 | 58.9 | 64.1 | |
| 150 | 37.9 | 44.5 | 50.4 | 55.8 | 56.8 | |
| 160 | 35.7 | 42 | 47.8 | 53 | 50.5 | |
| 170 | 33.8 | 39.8 | 45.4 | 49.3 | 44.9 | |
| 180 | — | 37.8 | 43.1 | 44.4 | 40 | |
| 190 | — | 36 | 41.2 | 40.1 | 35.6 | |
| 200 | — | 34.5 | 38.8 | 36.2 | 31.7 | |
| 220 | — | — | 32.1 | 29.6 | 25 | |
| 240 | — | — | 26.4 | 24 | 19.4 | |
| 260 | — | — | — | 19.3 | 14.7 | |
| 280 | — | — | — | 15.1 | 10.3 | |

| 79 ft jib length | | 20° offset | | | | |
|------------------|----------------|------------|------|------|------|--|
| Radius ft | boom length ft | | | | | |
| | 98 | 138 | 177 | 216 | 276 | |
| 60 | 63.5 | 66.7 | 68.8 | — | — | |
| 80 | 51.8 | 56 | 59.2 | 61.6 | 63.9 | |
| 100 | 43.8 | 48.3 | 51.8 | 54.7 | 57.8 | |
| 110 | 40.6 | 45.2 | 48.8 | 51.8 | 55.1 | |
| 120 | 38 | 42.5 | 46.2 | 49.2 | 52.7 | |
| 130 | 35.6 | 40.1 | 43.7 | 46.9 | 50.6 | |
| 140 | 33.6 | 38 | 41.6 | 44.7 | 48.5 | |
| 150 | 31.8 | 36.1 | 39.7 | 42.9 | 46.6 | |
| 160 | 30.4 | 34.4 | 38 | 41.1 | 44.9 | |
| 170 | 29.3 | 32.9 | 36.4 | 39.5 | 43.3 | |
| 180 | — | 31.6 | 35 | 38 | 41.9 | |
| 190 | — | 30.5 | 33.7 | 36.7 | 37.4 | |
| 200 | — | 29.6 | 32.5 | 35.4 | 33.3 | |
| 220 | — | — | 30.6 | 30.5 | 26.4 | |
| 240 | — | — | 26.7 | 24.7 | 20.6 | |
| 260 | — | — | — | 19.8 | 15.7 | |
| 280 | — | — | — | — | 11.3 | |
| 300 | — | — | — | — | 6.8 | |

For complete chart, refer to www.cranelibrary.com.

THIS CHART IS ONLY A GUIDE AND SHOULD NOT BE USED TO OPERATE THE CRANE.

The individual crane's load chart, operating instructions and other instructional plates must be read and understood prior to operating the crane

Fixed jib load chart

No. 148 fixed jib on B10:500 boom Series 2

386,200 lb counterweight 360° Rating lb x 1000

| 98 ft jib length | | 10° offset | | | | |
|------------------|----------------|------------|------|------|------|--|
| Radius ft | boom length ft | | | | | |
| | 98 | 138 | 197 | 256 | 276 | |
| 50 | 65.1 | 65.9 | 65.8 | | | |
| 60 | 61.3 | 62.8 | 63.4 | 62.0 | 61.3 | |
| 80 | 53.7 | 56.7 | 59.0 | 58.7 | 58.3 | |
| 100 | 47.2 | 50.9 | 54.6 | 55.6 | 55.5 | |
| 120 | 40.9 | 46.0 | 50.3 | 52.4 | 52.7 | |
| 140 | 34.9 | 40.8 | 46.5 | 49.1 | 49.7 | |
| 160 | 30.4 | 35.8 | 42.9 | 46.2 | 46.9 | |
| 180 | 26.9 | 31.8 | 38.5 | 42.8 | 41.1 | |
| 200 | | 28.6 | 34.9 | 34.5 | 32.8 | |
| 220 | | 26.1 | 31.6 | 27.8 | 26.1 | |
| 240 | | | 26.1 | 22.3 | 20.5 | |
| 260 | | | 21.4 | 17.6 | 15.8 | |
| 280 | | | 17.2 | 13.6 | 11.6 | |
| 300 | | | | 9.9 | 7.4 | |

| 98 ft jib length | | 20° offset | | | | |
|------------------|----------------|------------|------|------|------|--|
| Radius ft | boom length ft | | | | | |
| | 98 | 138 | 197 | 256 | 276 | |
| 60 | 54.8 | | | | | |
| 80 | 45.9 | 49.0 | 51.8 | 51.9 | 51.8 | |
| 100 | 38.2 | 41.8 | 45.8 | 48.4 | 49.0 | |
| 120 | 32.7 | 36.3 | 40.6 | 43.6 | 44.6 | |
| 140 | 28.5 | 32.1 | 36.4 | 39.7 | 40.7 | |
| 160 | 25.2 | 28.7 | 33.0 | 36.3 | 37.4 | |
| 180 | 22.8 | 25.9 | 30.1 | 33.5 | 34.6 | |
| 200 | | 23.8 | 27.8 | 31.1 | 32.2 | |
| 220 | | 22.1 | 25.8 | 29.0 | 27.9 | |
| 240 | | | 24.1 | 23.7 | 22.1 | |
| 260 | | | 22.0 | 18.7 | 17.1 | |
| 280 | | | 17.6 | 14.5 | 12.9 | |
| 300 | | | | 10.8 | 8.5 | |
| 320 | | | | 6.8 | | |

| 138 ft jib length | | 10° offset | | | | |
|-------------------|----------------|------------|------|------|------|--|
| Radius ft | boom length ft | | | | | |
| | 98 | 138 | 197 | 256 | 276 | |
| 50 | 44.2 | | | | | |
| 60 | 41.1 | 42.0 | 42.2 | | | |
| 80 | 35.2 | 37.1 | 38.6 | 38.1 | 37.6 | |
| 100 | 30.1 | 32.5 | 34.9 | 35.8 | 35.7 | |
| 120 | 25.8 | 28.5 | 31.4 | 33.0 | 33.3 | |
| 140 | 22.2 | 25.0 | 28.3 | 30.3 | 30.8 | |
| 160 | 19.2 | 22.1 | 25.5 | 27.8 | 28.5 | |
| 180 | 16.8 | 19.5 | 23.0 | 25.5 | 26.3 | |
| 200 | 14.7 | 17.4 | 20.8 | 23.5 | 24.3 | |
| 220 | 13.0 | 15.5 | 18.9 | 21.6 | 22.5 | |
| 240 | | 13.9 | 17.2 | 19.9 | 20.8 | |
| 260 | | 12.7 | 15.7 | 18.4 | 17.9 | |
| 280 | | | 14.4 | 15.6 | 13.8 | |
| 300 | | | 13.2 | 12.1 | 9.9 | |
| 320 | | | 12.4 | 8.6 | | |

| 138 ft jib length | | 20° offset | | | | |
|-------------------|----------------|------------|------|------|------|--|
| Radius ft | boom length ft | | | | | |
| | 98 | 138 | 197 | 256 | 276 | |
| 80 | 31.1 | 32.0 | 32.8 | | | |
| 100 | 26.8 | 28.2 | 29.6 | 30.2 | 30.3 | |
| 120 | 23.1 | 24.9 | 26.8 | 27.9 | 28.1 | |
| 140 | 20.2 | 22.1 | 24.3 | 25.7 | 26.1 | |
| 160 | 17.6 | 19.7 | 22.0 | 23.7 | 24.2 | |
| 180 | 15.5 | 17.6 | 20.1 | 21.9 | 22.5 | |
| 200 | 13.8 | 15.8 | 18.4 | 20.3 | 20.9 | |
| 220 | 12.5 | 14.4 | 16.8 | 18.9 | 19.5 | |
| 240 | | 13.2 | 15.6 | 17.6 | 18.2 | |
| 260 | | 12.3 | 14.4 | 16.4 | 17.1 | |
| 280 | | | 13.5 | 15.4 | 15.5 | |
| 300 | | | 12.7 | 13.4 | 11.8 | |
| 320 | | | 12.1 | 10.0 | 7.8 | |

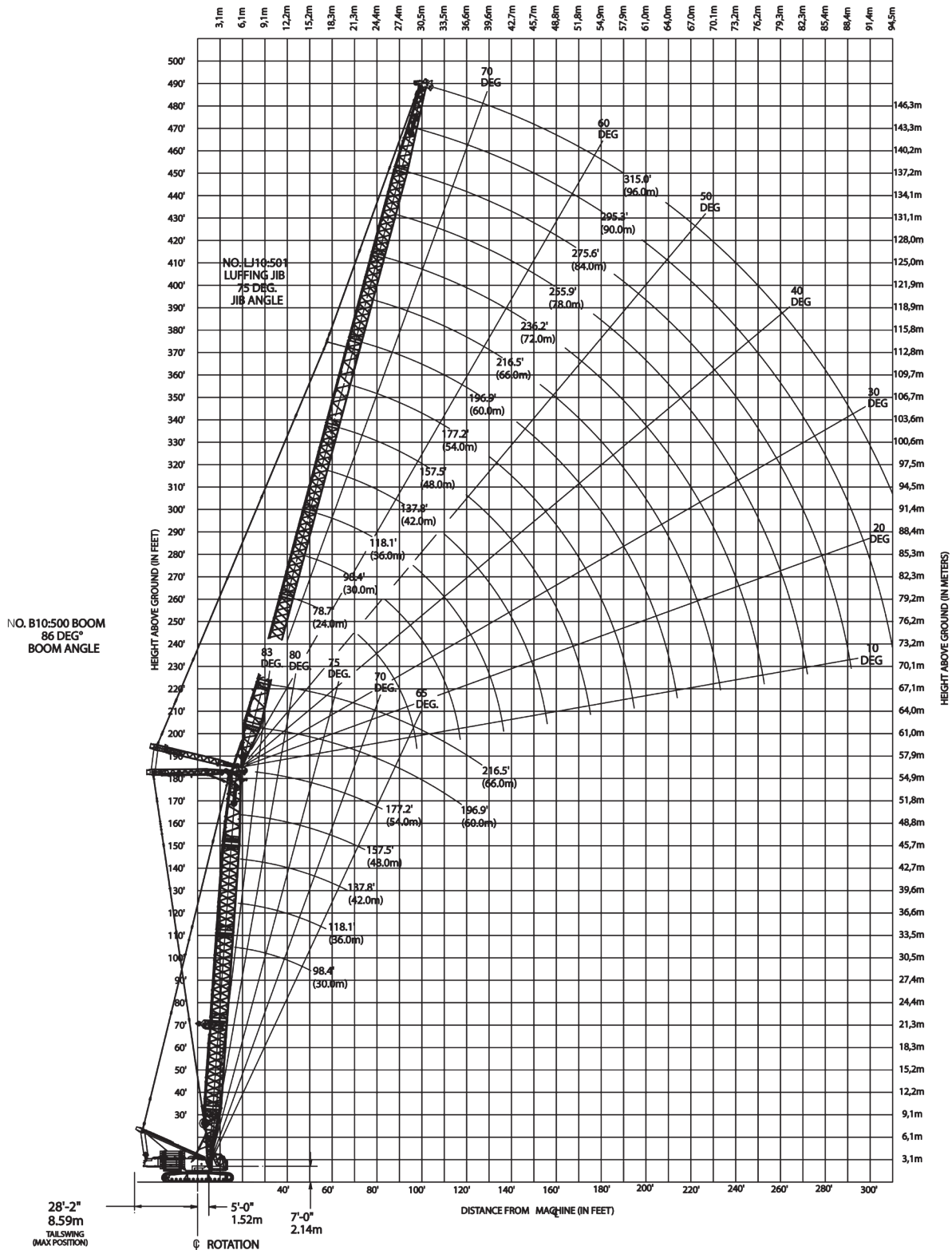
For complete chart, refer to www.cranelibrary.com.

THIS CHART IS ONLY A GUIDE AND SHOULD NOT BE USED TO OPERATE THE CRANE.

The individual crane's load chart, operating instructions and other instructional plates must be read and understood prior to operating the crane

Luffing jib range diagram

LJ10:501 luffing jib on B10:500 boom



THIS CHART IS ONLY A GUIDE AND SHOULD NOT BE USED TO OPERATE THE CRANE.

The individual crane's load chart, operating instructions and other instructional plates must be read and understood prior to operating the crane

Luffing jib load charts

LJ10:501 luffing jib on B10:500 boom Series 3

474,400 lb counterweight 360° Rating lb x 1000 86° boom angle

| 98 ft boom length | | | | | |
|-------------------|-----------------------|-------|-------|------|------|
| Radius ft | Luffing jib length ft | | | | |
| | 79 | 138 | 197 | 256 | 295 |
| 38 | 330.7 | — | — | — | — |
| 40 | 311.8 | — | — | — | — |
| 50 | 259.6 | — | — | — | — |
| 60 | 221.2 | 194.4 | — | — | — |
| 70 | 192.1 | 175.3 | 133.1 | — | — |
| 80 | 164.6 | 155.9 | 128.1 | — | — |
| 90 | 138.6 | 139.8 | 123.2 | 74.5 | — |
| 100 | — | 126.4 | 114.6 | 72.6 | 50.3 |
| 110 | — | 114.9 | 104.9 | 70.8 | 48.7 |
| 120 | — | 104.2 | 96.3 | 69.0 | 47.2 |
| 130 | — | 94.8 | 88.8 | 67.2 | 45.8 |
| 140 | — | 84.4 | 82.1 | 65.6 | 44.4 |
| 150 | — | 65.8 | 76.1 | 64.1 | 43.1 |
| 160 | — | — | 70.8 | 62.7 | 42.3 |
| 170 | — | — | 66.0 | 59.3 | 40.8 |
| 180 | — | — | 61.6 | 55.4 | 39.8 |
| 190 | — | — | 55.8 | 51.8 | 38.9 |
| 200 | — | — | 47.7 | 47.4 | 38.0 |
| 210 | — | — | 34.6 | 43.0 | 37.2 |
| 220 | — | — | — | 38.8 | 36.5 |
| 230 | — | — | — | 34.7 | 35.8 |
| 240 | — | — | — | 30.8 | 34.4 |
| 250 | — | — | — | 27.2 | 32.2 |
| 260 | — | — | — | 23.7 | 30.2 |
| 270 | — | — | — | — | 28.4 |
| 280 | — | — | — | — | 25.1 |
| 290 | — | — | — | — | 20.2 |
| 300 | — | — | — | — | 15.0 |

| 138 ft boom length | | | | | |
|--------------------|-----------------------|-------|-------|------|------|
| Radius ft | Luffing jib length ft | | | | |
| | 79 | 138 | 197 | 256 | 295 |
| 40 | 312.0 | — | — | — | — |
| 50 | 271.0 | — | — | — | — |
| 60 | 228.1 | 191.2 | — | — | — |
| 70 | 193.0 | 174.9 | — | — | — |
| 80 | 166.7 | 159.7 | 118.6 | — | — |
| 90 | 145.4 | 143.9 | 117.2 | 68.7 | — |
| 100 | — | 130.0 | 112.8 | 67.4 | 47.4 |
| 110 | — | 116.8 | 107.0 | 66.0 | 46.2 |
| 120 | — | 106.0 | 101.3 | 64.7 | 45.0 |
| 130 | — | 97.0 | 95.8 | 63.4 | 43.8 |
| 140 | — | 88.8 | 90.1 | 62.1 | 42.7 |
| 150 | — | 75.5 | 83.5 | 60.9 | 41.6 |
| 160 | — | — | 77.1 | 59.7 | 40.6 |
| 170 | — | — | 70.0 | 58.7 | 39.6 |
| 180 | — | — | 63.2 | 55.5 | 38.7 |
| 190 | — | — | 56.6 | 51.6 | 37.8 |
| 200 | — | — | 50.0 | 47.5 | 37.0 |
| 210 | — | — | 42.6 | 43.5 | 36.3 |
| 220 | — | — | — | 39.4 | 35.6 |
| 230 | — | — | — | 35.5 | 35.0 |
| 240 | — | — | — | 31.7 | 34.4 |
| 250 | — | — | — | 28.1 | 33.2 |
| 260 | — | — | — | 24.7 | 30.1 |
| 270 | — | — | — | 21.7 | 27.1 |
| 280 | — | — | — | — | 24.1 |
| 290 | — | — | — | — | 21.0 |
| 300 | — | — | — | — | 17.8 |
| 310 | — | — | — | — | 13.9 |

| 157 ft boom length | | | | | |
|--------------------|-----------------------|-------|-------|------|------|
| Radius ft | Luffing jib length ft | | | | |
| | 79 | 138 | 197 | 256 | 295 |
| 45 | 278.8 | — | — | — | — |
| 50 | 261.0 | — | — | — | — |
| 60 | 228.3 | 187.5 | — | — | — |
| 70 | 192.8 | 172.8 | — | — | — |
| 80 | 167.9 | 158.9 | 109.8 | — | — |
| 90 | 146.4 | 144.5 | 108.5 | 65.2 | — |
| 100 | — | 130.2 | 107.1 | 64.2 | 45.6 |
| 110 | — | 117.4 | 104.9 | 63.0 | 44.6 |
| 120 | — | 106.7 | 99.6 | 61.9 | 43.6 |
| 130 | — | 97.6 | 94.5 | 60.7 | 42.5 |
| 140 | — | 86.8 | 88.2 | 59.6 | 41.5 |
| 150 | — | 74.4 | 81.4 | 58.6 | 40.5 |
| 160 | — | — | 74.4 | 57.5 | 39.6 |
| 170 | — | — | 67.5 | 56.6 | 38.7 |
| 180 | — | — | 61.0 | 54.8 | 37.8 |
| 190 | — | — | 54.7 | 51.1 | 37.0 |
| 200 | — | — | 48.5 | 47.3 | 36.3 |
| 210 | — | — | 41.7 | 43.5 | 35.6 |
| 220 | — | — | — | 39.6 | 34.9 |
| 230 | — | — | — | 35.8 | 34.3 |
| 240 | — | — | — | 32.1 | 33.8 |
| 250 | — | — | — | 28.5 | 31.5 |
| 260 | — | — | — | 25.1 | 28.5 |
| 270 | — | — | — | 22.1 | 25.6 |
| 280 | — | — | — | — | 22.8 |
| 290 | — | — | — | — | 19.8 |
| 300 | — | — | — | — | 16.8 |
| 310 | — | — | — | — | 13.2 |

| 197 ft boom length | | | | | |
|--------------------|-----------------------|-------|-------|-------|------|
| Radius ft | Luffing jib length ft | | | | |
| | 79 | 118 | 157 | 177 | 197 |
| 45 | 231.3 | — | — | — | — |
| 50 | 217.9 | — | — | — | — |
| 60 | 192.8 | 167.3 | — | — | — |
| 70 | 170.7 | 156.6 | 124.5 | 107.8 | — |
| 80 | 151.6 | 142.1 | 121.6 | 106.0 | 91.4 |
| 90 | 134.6 | 129.1 | 117.6 | 103.8 | 90.0 |
| 100 | — | 117.5 | 108.5 | 101.3 | 88.4 |
| 110 | — | 107.1 | 100.0 | 95.9 | 86.7 |
| 120 | — | 97.5 | 92.4 | 89.0 | 84.8 |
| 130 | — | 88.5 | 85.3 | 82.5 | 79.4 |
| 140 | — | — | 78.8 | 76.6 | 74.0 |
| 150 | — | — | 72.7 | 71.1 | 68.9 |
| 160 | — | — | 66.9 | 65.9 | 64.3 |
| 170 | — | — | 60.5 | 61.0 | 59.9 |
| 180 | — | — | — | 56.2 | 55.6 |
| 190 | — | — | — | 50.0 | 51.6 |
| 200 | — | — | — | — | 47.3 |
| 210 | — | — | — | — | 41.4 |

For complete chart, refer to www.cranelibrary.com.

THIS CHART IS ONLY A GUIDE AND SHOULD NOT BE USED TO OPERATE THE CRANE.

The individual crane's load chart, operating instructions and other instructional plates must be read and understood prior to operating the crane

Luffing jib load charts

LJ10:501 luffing jib on B10:500 boom Series 2

386,200 lb counterweight

360° Rating

lb x 1000

86° boom angle

| 98 ft boom length | | | | | |
|-------------------|-----------------------|-------|-------|------|------|
| Radius ft | Luffing jib length ft | | | | |
| | 79 | 138 | 197 | 256 | 295 |
| 40 | 311.8 | — | — | — | — |
| 50 | 259.6 | — | — | — | — |
| 60 | 206.1 | 194.4 | — | — | — |
| 70 | 170.8 | 172.7 | 133.1 | — | — |
| 80 | 145.7 | 147.3 | 128.1 | — | — |
| 90 | 127.1 | 128.5 | 123.2 | 74.5 | — |
| 100 | — | 113.9 | 114.6 | 72.6 | 50.3 |
| 110 | — | 102.2 | 103.2 | 70.8 | 48.7 |
| 120 | — | 92.7 | 93.6 | 69.0 | 47.2 |
| 130 | — | 84.8 | 85.7 | 67.2 | 45.8 |
| 140 | — | 78.2 | 78.9 | 65.6 | 44.4 |
| 150 | — | 65.8 | 72.9 | 64.1 | 43.1 |
| 160 | — | — | 66.7 | 62.7 | 42.3 |
| 170 | — | — | 61.3 | 58.6 | 40.8 |
| 180 | — | — | 56.5 | 53.8 | 39.8 |
| 190 | — | — | 52.2 | 49.6 | 38.9 |
| 200 | — | — | 47.7 | 45.8 | 38.0 |
| 210 | — | — | 34.6 | 42.4 | 37.2 |
| 220 | — | — | — | 38.8 | 36.5 |
| 230 | — | — | — | 34.7 | 34.8 |
| 240 | — | — | — | 30.8 | 32.3 |
| 250 | — | — | — | 27.2 | 29.9 |
| 260 | — | — | — | 23.7 | 27.8 |
| 270 | — | — | — | — | 25.7 |
| 280 | — | — | — | — | 23.9 |
| 290 | — | — | — | — | 20.2 |
| 300 | — | — | — | — | 15.0 |

| 138 ft boom length | | | | | |
|--------------------|-----------------------|-------|-------|------|------|
| Radius ft | Luffing jib length ft | | | | |
| | 79 | 138 | 197 | 256 | 295 |
| 40 | 312.0 | — | — | — | — |
| 50 | 263.6 | — | — | — | — |
| 60 | 209.1 | 191.2 | — | — | — |
| 70 | 173.3 | 174.9 | — | — | — |
| 80 | 147.9 | 149.5 | 118.6 | — | — |
| 90 | 128.9 | 130.3 | 117.2 | 68.7 | — |
| 100 | — | 115.5 | 112.8 | 67.4 | 47.4 |
| 110 | — | 103.7 | 104.7 | 66.0 | 46.2 |
| 120 | — | 94.1 | 95.0 | 64.7 | 45.0 |
| 130 | — | 86.1 | 86.9 | 63.4 | 43.8 |
| 140 | — | 79.3 | 79.3 | 62.1 | 42.7 |
| 150 | — | 73.5 | 72.3 | 60.9 | 41.6 |
| 160 | — | — | 66.1 | 59.7 | 40.6 |
| 170 | — | — | 60.8 | 58.0 | 39.6 |
| 180 | — | — | 56.0 | 53.3 | 38.7 |
| 190 | — | — | 51.8 | 49.1 | 37.8 |
| 200 | — | — | 48.0 | 45.4 | 37.0 |
| 210 | — | — | 42.6 | 42.0 | 36.3 |
| 220 | — | — | — | 38.9 | 35.6 |
| 230 | — | — | — | 35.5 | 34.4 |
| 240 | — | — | — | 31.7 | 31.8 |
| 250 | — | — | — | 28.1 | 29.5 |
| 260 | — | — | — | 24.7 | 27.4 |
| 270 | — | — | — | 21.7 | 25.4 |
| 280 | — | — | — | — | 23.5 |
| 290 | — | — | — | — | 21.0 |
| 300 | — | — | — | — | 17.8 |
| 310 | — | — | — | — | 13.9 |

| 157 ft boom length | | | | | |
|--------------------|-----------------------|-------|-------|------|------|
| Radius ft | Luffing jib length ft | | | | |
| | 79 | 138 | 197 | 256 | 295 |
| 50 | 261.0 | — | — | — | — |
| 60 | 210.7 | 187.5 | — | — | — |
| 70 | 174.6 | 172.8 | — | — | — |
| 80 | 149.0 | 150.6 | 109.8 | — | — |
| 90 | 129.9 | 131.3 | 108.5 | 65.2 | — |
| 100 | — | 116.4 | 107.1 | 64.2 | 45.6 |
| 110 | — | 104.5 | 104.9 | 63.0 | 44.6 |
| 120 | — | 94.8 | 95.7 | 61.9 | 43.6 |
| 130 | — | 86.7 | 87.1 | 60.7 | 42.5 |
| 140 | — | 79.9 | 78.9 | 59.6 | 41.5 |
| 150 | — | 74.1 | 71.9 | 58.6 | 40.5 |
| 160 | — | — | 65.8 | 57.5 | 39.6 |
| 170 | — | — | 60.5 | 56.6 | 38.7 |
| 180 | — | — | 55.7 | 53.0 | 37.8 |
| 190 | — | — | 51.5 | 48.8 | 37.0 |
| 200 | — | — | 47.7 | 45.1 | 36.3 |
| 210 | — | — | 41.7 | 41.7 | 35.6 |
| 220 | — | — | — | 38.7 | 34.9 |
| 230 | — | — | — | 35.8 | 34.1 |
| 240 | — | — | — | 32.1 | 31.6 |
| 250 | — | — | — | 28.5 | 29.3 |
| 260 | — | — | — | 25.1 | 27.1 |
| 270 | — | — | — | 22.1 | 25.2 |
| 280 | — | — | — | — | 22.8 |
| 290 | — | — | — | — | 19.8 |
| 300 | — | — | — | — | 16.8 |
| 310 | — | — | — | — | 13.2 |

| 197 ft boom length | | | | | |
|--------------------|-----------------------|-------|-------|-------|------|
| Radius ft | Luffing jib length ft | | | | |
| | 79 | 118 | 157 | 177 | 197 |
| 50 | 217.9 | — | — | — | — |
| 60 | 192.8 | 167.3 | — | — | — |
| 70 | 170.7 | 156.6 | 124.5 | 107.8 | — |
| 80 | 150.8 | 142.1 | 121.6 | 106.0 | 91.4 |
| 90 | 131.5 | 129.1 | 117.6 | 103.8 | 90.0 |
| 100 | — | 117.3 | 108.5 | 101.3 | 88.4 |
| 110 | — | 105.4 | 100.0 | 95.9 | 86.7 |
| 120 | — | 95.6 | 92.4 | 89.0 | 84.8 |
| 130 | — | 87.4 | 85.3 | 82.5 | 79.4 |
| 140 | — | — | 78.8 | 76.6 | 74.0 |
| 150 | — | — | 72.6 | 71.1 | 68.9 |
| 160 | — | — | 66.5 | 65.7 | 64.3 |
| 170 | — | — | 60.5 | 60.3 | 59.7 |
| 180 | — | — | — | 55.6 | 55.0 |
| 190 | — | — | — | 50.0 | 50.9 |
| 200 | — | — | — | — | 47.1 |

For complete chart, refer to www.cranelibrary.com.

THIS CHART IS ONLY A GUIDE AND SHOULD NOT BE USED TO OPERATE THE CRANE.

The individual crane's load chart, operating instructions and other instructional plates must be read and understood prior to operating the crane

Boom combinations

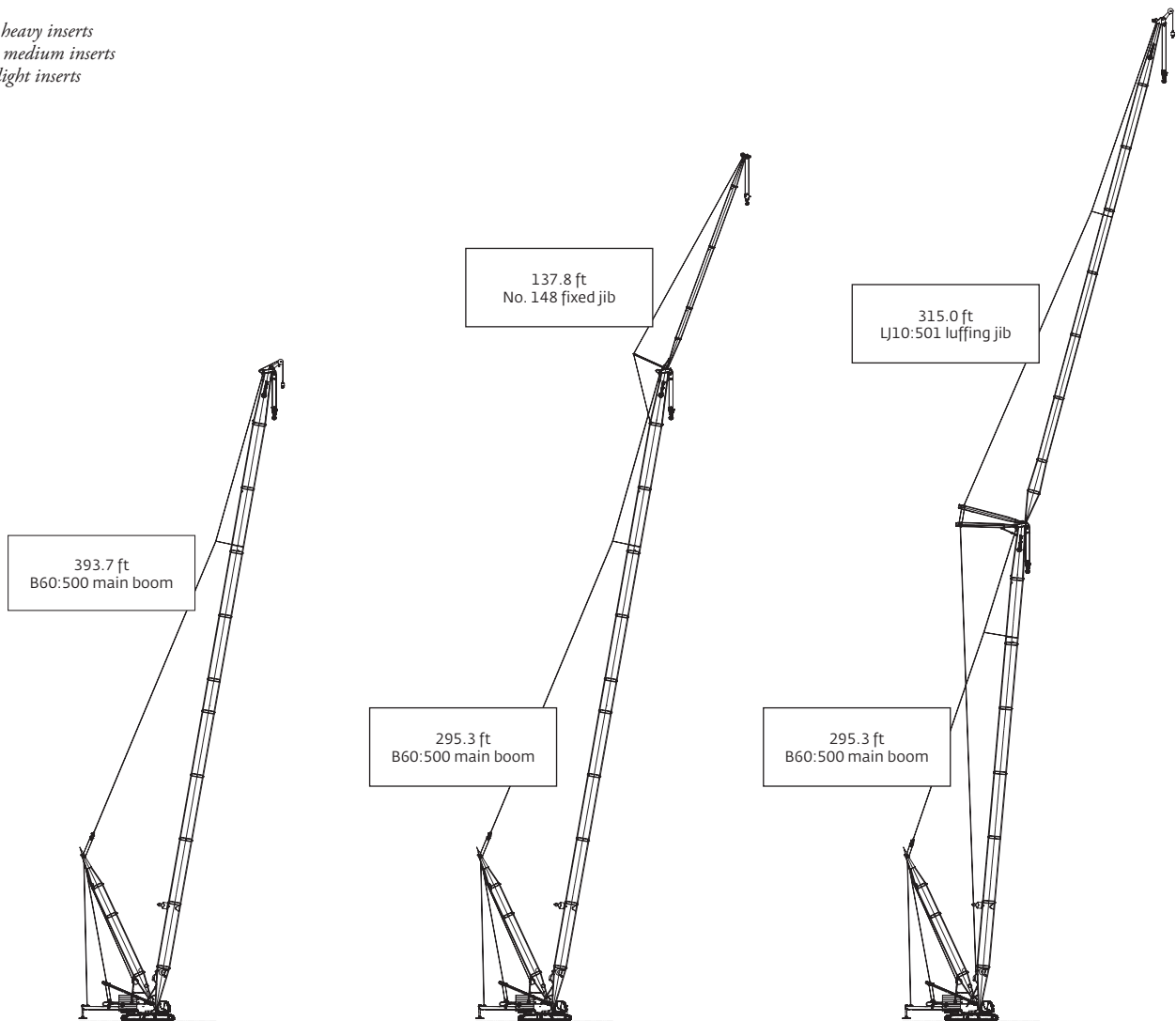
VPC-MAX™

| B60:500 VPC-MAX™ main boom combinations | | | | |
|-----------------------------------------|----------------------|--------|--------|--------|
| Boom length ft | Main boom inserts ft | | | |
| | 39.4 H | 19.7 M | 39.4 M | 39.4 L |
| 137.8 | 1 | 0 | 1 | 0 |
| 157.5 | 1 | 1 | 1 | 0 |
| 177.2 | 1 | 0 | 2 | 0 |
| 196.9 | 1 | 1 | 2 | 0 |
| 216.5 | 1 | 0 | 3 | 0 |
| 236.2 | 1 | 1 | 3 | 0 |
| 255.9 | 1 | 0 | 3 | 1 |
| 275.6 | 1 | 1 | 3 | 1 |
| 295.3 | 1 | 0 | 3 | 2 |
| 315.0 | 1 | 1 | 3 | 2 |
| 334.6 | 1 | 0 | 3 | 3 |
| 354.3 | 1 | 1 | 3 | 3 |
| 374.0 | 1 | 0 | 4 | 3 |
| 393.7 | 1 | 1 | 4 | 3 |

| No. 148 fixed jib combinations | | |
|--------------------------------|----------------------|---------|
| Fixed jib ft | Fixed Jib inserts ft | |
| | 19.7 ft | 39.4 ft |
| 39.4 | 0 | 0 |
| 59.1 | 1 | 0 |
| 78.7 | 0 | 1 |
| 98.4 | 1 | 1 |
| 118.1 | 0 | 2 |
| 137.8 | 1 | 2 |

| LJ10:501 VPC-MAX™ luffing jib combinations | | |
|--------------------------------------------|------------------------|------|
| Luffing jib length ft | Luffing jib inserts ft | |
| | 19.7 | 39.4 |
| 78.7 | 0 | 0 |
| 98.4 | 1 | 0 |
| 118.1 | 0 | 1 |
| 137.8 | 1 | 1 |
| 157.5 | 0 | 2 |
| 177.2 | 1 | 2 |
| 196.9 | 0 | 3 |
| 216.5 | 1 | 3 |
| 236.2 | 0 | 4 |
| 255.9 | 1 | 4 |
| 275.6 | 0 | 5 |
| 295.3 | 1 | 5 |
| 315.0 | 0 | 6 |

H - heavy inserts
M - medium inserts
L - light inserts

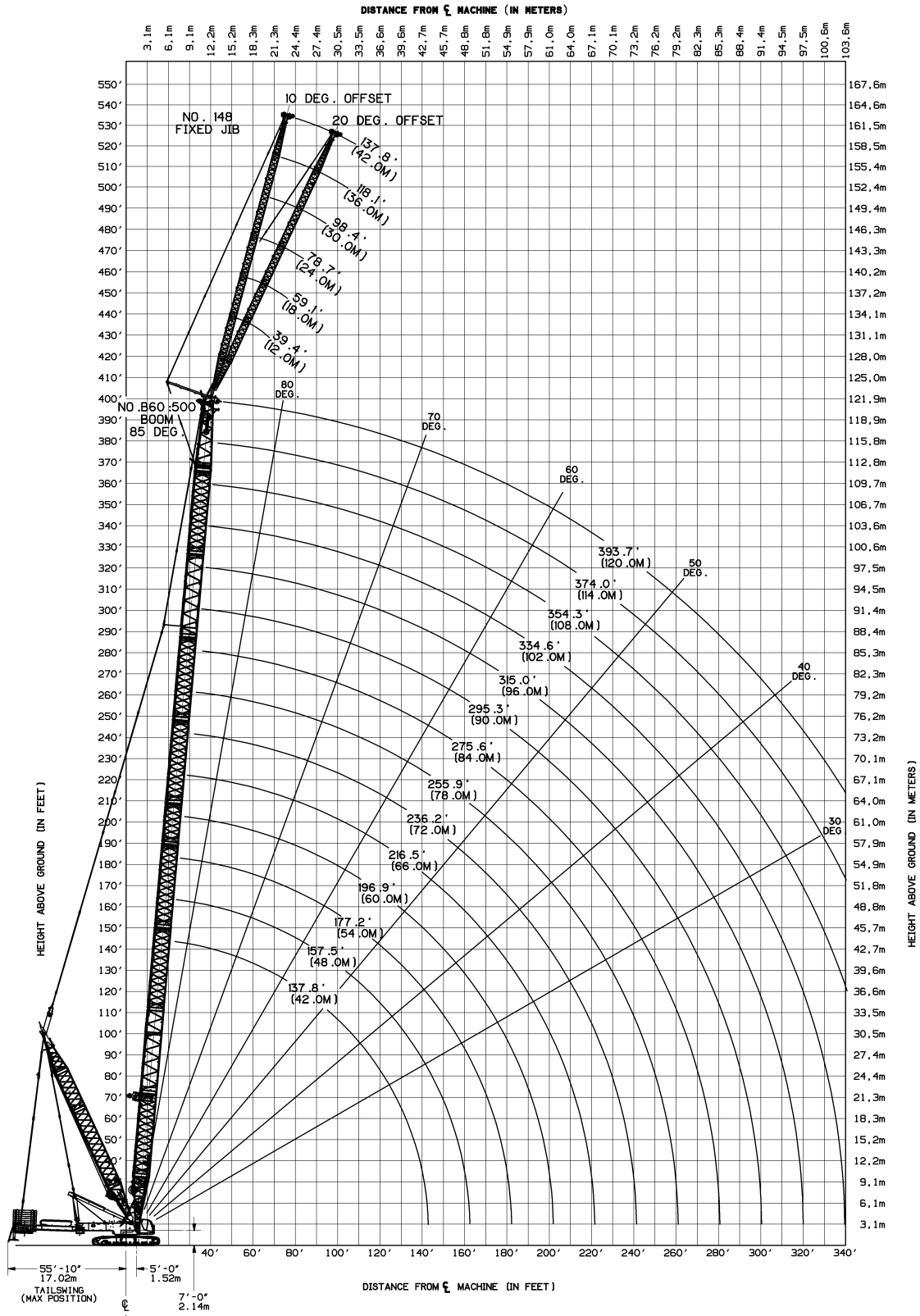


THIS CHART IS ONLY A GUIDE AND SHOULD NOT BE USED TO OPERATE THE CRANE.
The individual crane's load chart, operating instructions and other instructional plates must be read and understood prior to operating the crane

Main boom range diagram

VPC-MAX™

B60:500 boom with VPC-MAX™



THIS CHART IS ONLY A GUIDE AND SHOULD NOT BE USED TO OPERATE THE CRANE.

The individual crane's load chart, operating instructions and other instructional plates must be read and understood prior to operating the crane

Main boom load charts

VPC-MAX™

| B60:500 boom with VPC-MAX™ Series 3 | | | | | | | | | | | | | | |
|-------------------------------------|----------------|-------|-------|-------|-------|-------|-------|-------|-------|-------|-------|-------|-------|-------|
| 474,100 lb counterweight | | | | | | | | | | | | | | |
| 360° Rating | | | | | | | | | | | | | | |
| lb x 1000 | | | | | | | | | | | | | | |
| Radius ft | Boom length ft | | | | | | | | | | | | | |
| | 138 | 157 | 177 | 197 | 217 | 236 | 256 | 276 | 295 | 315 | 335 | 354 | 374 | 394 |
| 22 | 661.3 | — | — | — | — | — | — | — | — | — | — | — | — | — |
| 26 | 661.3 | 612.9 | 553.9 | 500.1 | — | — | — | — | — | — | — | — | — | — |
| 30 | 661.3 | 612.9 | 553.9 | 500.1 | 449.9 | 390.2 | — | — | — | — | — | — | — | — |
| 34 | 633.3 | 602.2 | 553.9 | 500.1 | 449.9 | 390.2 | 324.7 | 275.7 | — | — | — | — | — | — |
| 38 | 600.5 | 572.6 | 544.5 | 500.1 | 449.9 | 390.2 | 324.7 | 275.7 | 231.2 | 199.4 | 168.1 | — | — | — |
| 40 | 585.1 | 558.7 | 532.1 | 500.1 | 449.9 | 390.2 | 324.7 | 275.7 | 231.2 | 199.4 | 168.1 | 147.4 | — | — |
| 45 | 549.8 | 526.6 | 503.2 | 477.0 | 449.9 | 390.2 | 324.7 | 275.7 | 231.2 | 199.4 | 168.1 | 147.4 | 129.2 | 113.5 |
| 50 | 518.1 | 497.5 | 476.8 | 453.4 | 430.7 | 389.6 | 324.7 | 275.7 | 231.2 | 199.4 | 168.1 | 147.4 | 129.2 | 113.5 |
| 60 | 509.3 | 489.2 | 452.8 | 411.6 | 393.2 | 372.7 | 324.7 | 275.7 | 231.2 | 199.4 | 168.1 | 147.4 | 129.2 | 113.5 |
| 70 | 418.5 | 418.2 | 418.6 | 411.6 | 376.5 | 344.1 | 324.7 | 275.7 | 231.2 | 199.4 | 168.1 | 147.4 | 129.2 | 113.5 |
| 80 | 352.9 | 352.6 | 352.9 | 351.9 | 351.8 | 341.6 | 318.6 | 275.7 | 231.2 | 199.4 | 168.1 | 147.4 | 129.2 | 113.3 |
| 90 | 304.0 | 303.6 | 303.9 | 302.8 | 302.7 | 301.3 | 300.8 | 272.9 | 229.9 | 199.4 | 168.1 | 147.4 | 129.0 | 113.1 |
| 100 | 266.1 | 265.6 | 265.9 | 264.8 | 264.7 | 263.2 | 262.7 | 258.6 | 220.9 | 199.4 | 168.1 | 147.4 | 128.7 | 112.9 |
| 110 | 235.9 | 235.4 | 235.6 | 234.5 | 234.3 | 232.9 | 232.3 | 230.7 | 210.9 | 199.4 | 167.1 | 143.0 | 127.6 | 112.2 |
| 120 | 211.2 | 210.6 | 210.8 | 209.7 | 209.5 | 208.1 | 207.5 | 205.9 | 200.9 | 199.4 | 163.6 | 135.5 | 124.7 | 110.7 |
| 130 | 190.6 | 190.0 | 190.2 | 189.1 | 188.9 | 187.4 | 186.8 | 185.2 | 184.9 | 183.4 | 156.5 | 128.5 | 118.5 | 108.3 |
| 140 | — | 172.6 | 172.8 | 171.7 | 171.5 | 170.0 | 169.4 | 167.8 | 167.5 | 165.9 | 149.7 | 122.0 | 112.6 | 103.1 |
| 150 | — | 157.6 | 157.9 | 156.7 | 156.5 | 155.0 | 154.4 | 152.8 | 152.5 | 150.9 | 143.5 | 115.8 | 107.3 | 98.2 |
| 160 | — | — | 144.9 | 143.8 | 143.6 | 142.1 | 141.5 | 139.8 | 139.6 | 138.0 | 137.4 | 110.2 | 102.2 | 93.7 |
| 170 | — | — | 133.5 | 132.4 | 132.3 | 130.8 | 130.2 | 128.5 | 128.2 | 126.6 | 126.1 | 105.1 | 97.4 | 89.4 |
| 180 | — | — | — | 122.4 | 122.3 | 120.8 | 120.2 | 118.5 | 118.3 | 116.6 | 116.1 | 100.3 | 93.0 | 85.3 |
| 190 | — | — | — | 113.4 | 113.3 | 111.9 | 111.3 | 109.6 | 109.4 | 107.7 | 107.2 | 96.1 | 89.0 | 81.6 |
| 200 | — | — | — | — | 105.3 | 103.9 | 103.3 | 101.7 | 101.4 | 99.8 | 99.2 | 92.2 | 85.3 | 78.1 |
| 210 | — | — | — | — | 98.1 | 96.7 | 96.1 | 94.5 | 94.3 | 92.6 | 91.6 | 88.7 | 81.8 | 74.9 |
| 220 | — | — | — | — | — | 90.1 | 89.6 | 88.0 | 87.8 | 86.1 | 84.4 | 84.0 | 78.8 | 72.0 |
| 230 | — | — | — | — | — | 84.1 | 83.7 | 82.1 | 81.9 | 80.2 | 78.1 | 78.1 | 75.4 | 68.6 |
| 240 | — | — | — | — | — | — | 78.2 | 76.7 | 76.5 | 74.8 | 72.4 | 72.7 | 69.3 | 62.6 |
| 250 | — | — | — | — | — | — | 73.2 | 71.7 | 71.5 | 69.9 | 67.5 | 67.8 | 63.8 | 57.3 |
| 260 | — | — | — | — | — | — | — | 67.1 | 66.9 | 65.3 | 63.1 | 63.0 | 58.9 | 52.5 |
| 270 | — | — | — | — | — | — | — | 62.8 | 62.7 | 61.1 | 59.3 | 58.9 | 54.5 | 48.1 |
| 280 | — | — | — | — | — | — | — | — | 58.7 | 57.1 | 56.0 | 55.1 | 50.6 | 44.1 |
| 290 | — | — | — | — | — | — | — | — | 55.0 | 53.5 | 53.1 | 51.5 | 47.1 | 40.5 |
| 300 | — | — | — | — | — | — | — | — | — | 50.0 | 49.7 | 48.1 | 44.0 | 37.3 |
| 310 | — | — | — | — | — | — | — | — | — | 46.8 | 46.5 | 44.9 | 41.3 | 34.3 |
| 320 | — | — | — | — | — | — | — | — | — | — | 43.5 | 41.9 | 38.9 | 31.7 |
| 330 | — | — | — | — | — | — | — | — | — | — | — | 39.1 | 37.0 | 29.3 |
| 340 | — | — | — | — | — | — | — | — | — | — | — | 36.5 | 35.5 | 27.2 |
| 350 | — | — | — | — | — | — | — | — | — | — | — | — | 33.5 | 25.4 |
| 360 | — | — | — | — | — | — | — | — | — | — | — | — | 31.1 | 22.7 |
| 370 | — | — | — | — | — | — | — | — | — | — | — | — | — | 20.1 |
| 380 | — | — | — | — | — | — | — | — | — | — | — | — | — | 17.7 |

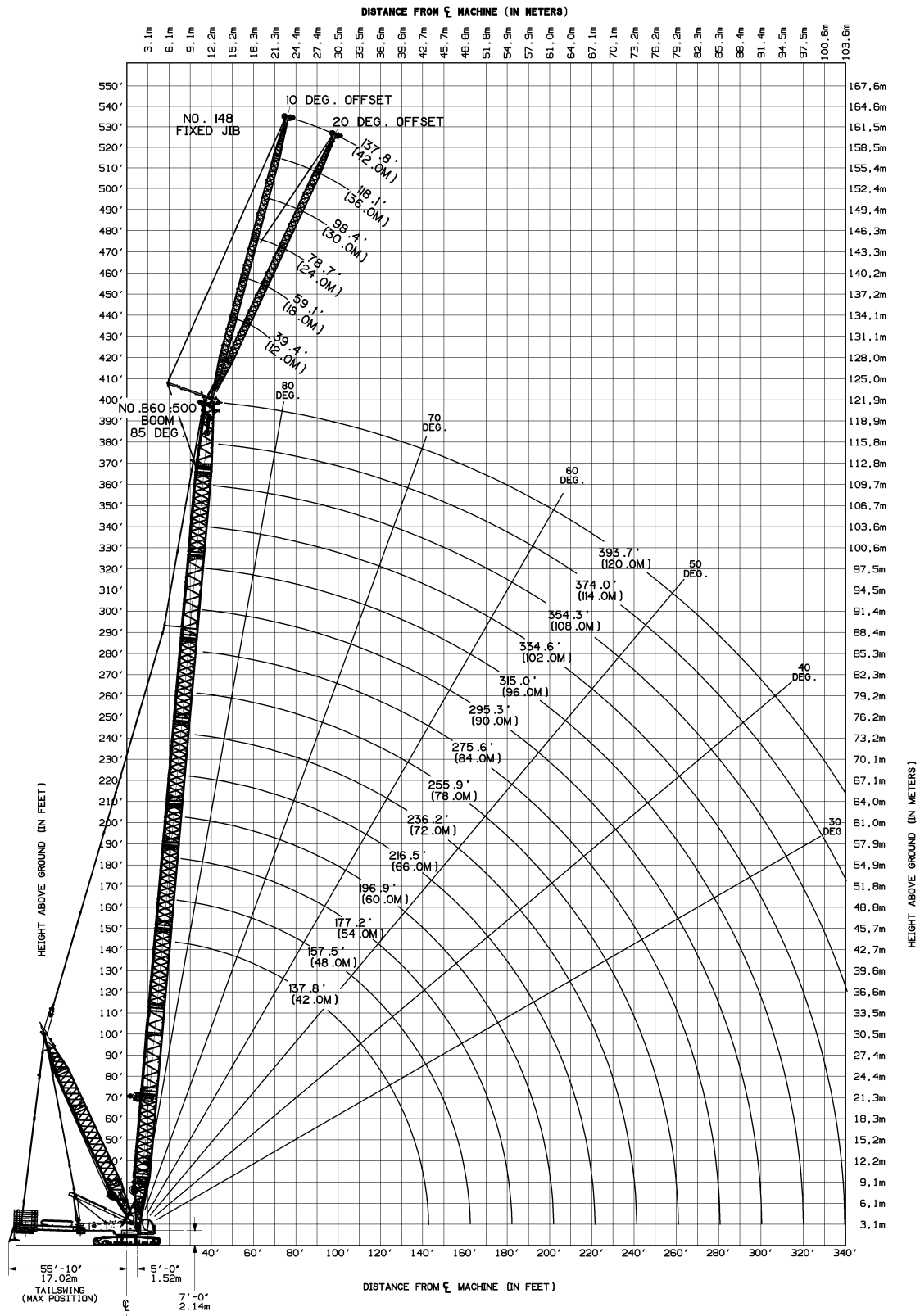
THIS CHART IS ONLY A GUIDE AND SHOULD NOT BE USED TO OPERATE THE CRANE.

The individual crane's load chart, operating instructions and other instructional plates must be read and understood prior to operating the crane

Fixed jib working range diagram

VPC-MAX™

No. 148 fixed jib on B60:500 boom with VPC-MAX™



THIS CHART IS ONLY A GUIDE AND SHOULD NOT BE USED TO OPERATE THE CRANE.

The individual crane's load chart, operating instructions and other instructional plates must be read and understood prior to operating the crane

Fixed jib load charts

VPC-MAX™

No. 148 fixed jib on B60:500 boom with VPC-MAX™ Series 3

474,100 lb counterweight 360° Rating lb x 1000

| 39 ft jib length | | 10° offset | | | | |
|------------------|----------------|------------|-------|-------|------|--|
| Radius ft | boom length ft | | | | | |
| | 138 | 197 | 256 | 315 | 354 | |
| 38 | 143.3 | 143.3 | — | — | — | |
| 40 | 143.3 | 143.3 | 142.7 | — | — | |
| 50 | 143.3 | 143.3 | 141.7 | 128.0 | 98.8 | |
| 60 | 143.3 | 143.3 | 140.7 | 126.5 | 98.8 | |
| 70 | 139.1 | 143.3 | 139.8 | 125.1 | 98.8 | |
| 80 | 125.9 | 142.9 | 139.1 | 123.8 | 98.8 | |
| 90 | 115.2 | 136.8 | 138.2 | 122.5 | 98.8 | |
| 100 | 106.1 | 127.1 | 136.9 | 121.2 | 98.6 | |
| 120 | 92.0 | 111.5 | 124.8 | 117.2 | 88.0 | |
| 140 | 81.5 | 99.4 | 113.0 | 106.8 | 78.8 | |
| 160 | 73.8 | 89.9 | 103.5 | 97.8 | 71.0 | |
| 180 | — | 82.3 | 95.3 | 90.3 | 64.4 | |
| 200 | — | 76.3 | 88.3 | 84.1 | 58.7 | |
| 220 | — | 71.5 | 82.5 | 78.9 | 54.0 | |
| 240 | — | — | 77.6 | 74.6 | 49.9 | |
| 260 | — | — | 68.9 | 65.1 | 46.6 | |
| 280 | — | — | 60.5 | 56.9 | 43.8 | |
| 300 | — | — | — | 49.8 | 41.6 | |
| 320 | — | — | — | 43.5 | 39.8 | |
| 340 | — | — | — | 37.9 | 35.6 | |
| 360 | — | — | — | — | 31.0 | |
| 380 | — | — | — | — | 26.5 | |

| 39 ft jib length | | 20° offset | | | | |
|------------------|----------------|------------|-------|-------|------|--|
| Radius ft | boom length ft | | | | | |
| | 138 | 197 | 256 | 315 | 354 | |
| 50 | 127.8 | 136.8 | 129.5 | — | — | |
| 60 | 116.3 | 126.8 | 127.9 | 112.5 | 96.0 | |
| 70 | 106.8 | 118.2 | 125.6 | 111.6 | 96.0 | |
| 80 | 98.9 | 110.8 | 118.9 | 110.7 | 96.0 | |
| 90 | 92.2 | 104.4 | 112.8 | 109.7 | 95.0 | |
| 100 | 86.5 | 98.7 | 107.4 | 108.9 | 90.2 | |
| 120 | 77.3 | 89.2 | 98.1 | 104.8 | 81.3 | |
| 140 | 70.5 | 81.7 | 90.4 | 97.0 | 73.5 | |
| 160 | 65.7 | 75.7 | 84.2 | 89.9 | 66.7 | |
| 180 | — | 70.8 | 78.9 | 83.8 | 60.9 | |
| 200 | — | 67.1 | 74.5 | 78.7 | 55.9 | |
| 220 | — | 64.6 | 70.8 | 74.4 | 51.7 | |
| 240 | — | — | 67.8 | 70.9 | 48.0 | |
| 260 | — | — | 65.5 | 65.6 | 45.0 | |
| 280 | — | — | — | 57.3 | 42.5 | |
| 300 | — | — | — | 50.1 | 40.6 | |
| 320 | — | — | — | 43.7 | 39.1 | |
| 340 | — | — | — | — | 35.7 | |
| 360 | — | — | — | — | 31.1 | |

| 79 ft jib length | | 10° offset | | | | |
|------------------|----------------|------------|------|------|------|--|
| Radius ft | boom length ft | | | | | |
| | 138 | 197 | 256 | 315 | 354 | |
| 50 | — | 82.2 | — | — | — | |
| 55 | 79.9 | 80.6 | 79.0 | — | — | |
| 60 | 77.9 | 79.2 | 78.0 | 71.6 | — | |
| 70 | 74.3 | 76.4 | 75.9 | 70.3 | 67.3 | |
| 80 | 71.0 | 73.8 | 73.9 | 69.0 | 66.3 | |
| 90 | 67.9 | 71.3 | 72.0 | 67.7 | 65.3 | |
| 100 | 62.4 | 68.9 | 70.2 | 66.4 | 64.3 | |
| 120 | 53.6 | 62.6 | 66.8 | 64.0 | 62.4 | |
| 140 | 46.9 | 55.5 | 62.3 | 61.6 | 58.4 | |
| 160 | 41.7 | 49.9 | 56.5 | 59.4 | 52.8 | |
| 180 | 37.6 | 45.1 | 51.5 | 57.2 | 48.0 | |
| 200 | 34.3 | 41.4 | 47.5 | 53.4 | 43.8 | |
| 220 | — | 38.1 | 44.0 | 49.8 | 40.2 | |
| 240 | — | 35.5 | 41.0 | 46.6 | 37.0 | |
| 260 | — | 33.4 | 38.4 | 43.7 | 34.3 | |
| 280 | — | — | 36.3 | 41.2 | 32.0 | |
| 300 | — | — | 34.4 | 39.1 | 30.1 | |
| 320 | — | — | 32.9 | 37.2 | 28.4 | |
| 340 | — | — | — | 35.5 | 27.1 | |
| 360 | — | — | — | 34.1 | 26.1 | |
| 380 | — | — | — | 31.6 | 25.5 | |
| 400 | — | — | — | — | 25.4 | |
| 420 | — | — | — | — | 21.7 | |

| 79 ft jib length | | 20° offset | | | | |
|------------------|----------------|------------|------|------|------|--|
| Radius ft | boom length ft | | | | | |
| | 138 | 197 | 256 | 315 | 354 | |
| 60 | — | 68.9 | — | — | — | |
| 70 | 60.3 | 64.0 | 66.1 | 62.8 | — | |
| 80 | 55.5 | 59.8 | 62.4 | 61.9 | 60.0 | |
| 90 | 51.5 | 56.1 | 59.2 | 60.9 | 59.3 | |
| 100 | 48.0 | 52.8 | 56.2 | 59.4 | 58.6 | |
| 120 | 42.2 | 47.3 | 51.1 | 54.5 | 55.4 | |
| 140 | 37.8 | 42.9 | 46.8 | 50.4 | 51.5 | |
| 160 | 34.2 | 39.3 | 43.2 | 46.9 | 48.1 | |
| 180 | 31.5 | 36.3 | 40.2 | 43.9 | 44.2 | |
| 200 | 29.5 | 33.8 | 37.6 | 41.2 | 40.6 | |
| 220 | — | 31.7 | 35.4 | 38.9 | 37.5 | |
| 240 | — | 30.1 | 33.5 | 36.9 | 34.9 | |
| 260 | — | — | 31.9 | 35.1 | 32.5 | |
| 280 | — | — | 30.5 | 33.6 | 30.4 | |
| 300 | — | — | 29.5 | 32.2 | 28.7 | |
| 320 | — | — | — | 31.1 | 27.2 | |
| 340 | — | — | — | 30.1 | 26.1 | |
| 360 | — | — | — | 29.4 | 25.3 | |
| 380 | — | — | — | — | 24.9 | |

For complete chart, refer to www.cranelibrary.com.

THIS CHART IS ONLY A GUIDE AND SHOULD NOT BE USED TO OPERATE THE CRANE.

The individual crane's load chart, operating instructions and other instructional plates must be read and understood prior to operating the crane

Fixed jib load charts

VPC-MAX™

No. 148 fixed jib on B60:500 boom with VPC-MAX™ Series 3

474,100 lb counterweight 360° Rating lb x 1000

| 98 ft jib length | | 10° offset | | | | |
|------------------|----------------|------------|------|------|------|--|
| Radius ft | boom length ft | | | | | |
| | 138 | 197 | 256 | 315 | 354 | |
| 50 | — | 65.2 | — | — | — | |
| 55 | 63.8 | 64.1 | — | — | — | |
| 60 | 62.3 | 62.9 | 61.8 | — | — | |
| 70 | 59.4 | 60.8 | 60.1 | 57.9 | 55.4 | |
| 80 | 56.3 | 58.5 | 58.6 | 56.8 | 54.5 | |
| 90 | 53.3 | 56.5 | 57.0 | 55.7 | 53.6 | |
| 100 | 50.6 | 54.1 | 55.4 | 54.6 | 52.8 | |
| 120 | 45.8 | 49.9 | 52.1 | 52.4 | 51.0 | |
| 140 | 40.3 | 46.1 | 48.8 | 50.0 | 49.3 | |
| 160 | 35.4 | 42.3 | 45.8 | 47.5 | 47.4 | |
| 180 | 31.6 | 38.0 | 43.2 | 45.2 | 43.2 | |
| 200 | 28.4 | 34.5 | 39.6 | 43.0 | 39.3 | |
| 220 | 25.9 | 31.5 | 36.5 | 40.8 | 36.0 | |
| 240 | — | 29.0 | 33.8 | 38.0 | 33.1 | |
| 260 | — | 27.0 | 31.5 | 35.5 | 30.5 | |
| 280 | — | 25.2 | 29.4 | 33.3 | 28.4 | |
| 300 | — | — | 27.6 | 31.3 | 26.4 | |
| 320 | — | — | 26.1 | 29.6 | 24.8 | |
| 340 | — | — | 24.8 | 28.1 | 23.4 | |
| 360 | — | — | — | 26.7 | 22.3 | |
| 380 | — | — | — | 25.5 | 21.5 | |
| 400 | — | — | — | 24.6 | 21.0 | |
| 420 | — | — | — | — | 21.0 | |
| 440 | — | — | — | — | 19.5 | |

| 98 ft jib length | | 20° offset | | | | |
|------------------|----------------|------------|------|------|------|--|
| Radius ft | boom length ft | | | | | |
| | 138 | 197 | 256 | 315 | 354 | |
| 70 | 52.4 | 53.3 | — | — | — | |
| 80 | 48.5 | 51.3 | 51.6 | 50.7 | 49.2 | |
| 90 | 44.7 | 48.3 | 50.1 | 49.6 | 48.5 | |
| 100 | 41.4 | 45.2 | 47.8 | 48.5 | 47.6 | |
| 120 | 36.0 | 40.1 | 43.1 | 45.4 | 45.9 | |
| 140 | 31.8 | 36.0 | 39.2 | 41.7 | 42.5 | |
| 160 | 28.5 | 32.7 | 35.9 | 38.5 | 39.5 | |
| 180 | 25.8 | 29.9 | 33.1 | 35.8 | 36.9 | |
| 200 | 23.7 | 27.6 | 30.8 | 33.4 | 34.6 | |
| 220 | 22.1 | 25.6 | 28.7 | 31.4 | 32.6 | |
| 240 | — | 24.0 | 26.9 | 29.5 | 30.7 | |
| 260 | — | 22.6 | 25.4 | 27.9 | 28.6 | |
| 280 | — | 21.7 | 24.1 | 26.6 | 26.6 | |
| 300 | — | — | 23.0 | 25.3 | 24.9 | |
| 320 | — | — | 22.1 | 24.2 | 23.5 | |
| 340 | — | — | — | 23.2 | 22.3 | |
| 360 | — | — | — | 22.4 | 21.3 | |
| 380 | — | — | — | 21.7 | 20.7 | |
| 400 | — | — | — | — | 20.3 | |
| 420 | — | — | — | — | 20.3 | |

| 138 ft jib length | | 10° offset | | | | |
|-------------------|----------------|------------|------|------|------|--|
| Radius ft | boom length ft | | | | | |
| | 138 | 197 | 256 | 315 | 354 | |
| 60 | — | 42.1 | — | — | — | |
| 65 | 40.5 | 41.2 | 40.4 | — | — | |
| 70 | 39.2 | 40.2 | 39.9 | 37.9 | — | |
| 80 | 36.8 | 38.3 | 38.5 | 37.3 | 33.7 | |
| 90 | 34.4 | 36.4 | 37.1 | 36.4 | 33.0 | |
| 100 | 32.3 | 34.6 | 35.6 | 35.6 | 32.4 | |
| 120 | 28.3 | 31.1 | 32.8 | 33.4 | 31.2 | |
| 140 | 24.9 | 28.0 | 30.1 | 31.2 | 29.9 | |
| 160 | 22.0 | 25.3 | 27.6 | 29.1 | 28.1 | |
| 180 | 19.5 | 22.9 | 25.3 | 27.0 | 26.4 | |
| 200 | 17.4 | 20.7 | 23.3 | 25.2 | 24.8 | |
| 220 | 15.5 | 18.8 | 21.5 | 23.4 | 23.3 | |
| 240 | 13.9 | 17.2 | 19.8 | 21.9 | 21.9 | |
| 260 | 12.7 | 15.7 | 18.2 | 20.4 | 20.6 | |
| 280 | — | 14.3 | 16.9 | 19.1 | 19.4 | |
| 300 | — | 13.3 | 15.7 | 17.9 | 18.2 | |
| 320 | — | 12.4 | 14.6 | 16.8 | 17.2 | |
| 340 | — | — | 13.6 | 15.7 | 16.2 | |
| 360 | — | — | 12.9 | 14.8 | 15.4 | |
| 380 | — | — | 12.2 | 14.0 | 14.6 | |
| 400 | — | — | — | 13.2 | 13.8 | |
| 420 | — | — | — | 12.6 | 13.1 | |
| 440 | — | — | — | 12.1 | 12.5 | |
| 460 | — | — | — | — | 12.0 | |
| 480 | — | — | — | — | 11.7 | |

| 138 ft jib length | | 20° offset | | | | |
|-------------------|----------------|------------|------|------|------|--|
| Radius ft | boom length ft | | | | | |
| | 138 | 197 | 256 | 315 | 354 | |
| 80 | — | 32.4 | — | — | — | |
| 90 | 29.8 | 30.8 | 31.2 | 31.0 | — | |
| 100 | 28.0 | 29.4 | 30.0 | 30.0 | 28.4 | |
| 120 | 24.7 | 26.6 | 27.7 | 28.1 | 26.8 | |
| 140 | 22.0 | 24.1 | 25.5 | 26.3 | 25.3 | |
| 160 | 19.6 | 21.9 | 23.6 | 24.6 | 23.9 | |
| 180 | 17.5 | 20.0 | 21.8 | 23.1 | 22.5 | |
| 200 | 15.9 | 18.3 | 20.2 | 21.5 | 21.3 | |
| 220 | 14.4 | 16.8 | 18.7 | 20.3 | 20.0 | |
| 240 | 13.2 | 15.5 | 17.4 | 19.0 | 18.9 | |
| 260 | 12.4 | 14.4 | 16.3 | 17.9 | 18.0 | |
| 280 | — | 13.4 | 15.3 | 16.9 | 17.0 | |
| 300 | — | 12.7 | 14.3 | 15.9 | 16.1 | |
| 320 | — | 12.2 | 13.6 | 15.1 | 15.3 | |
| 340 | — | — | 12.9 | 14.3 | 14.6 | |
| 360 | — | — | 12.4 | 13.7 | 14.0 | |
| 380 | — | — | — | 13.1 | 13.3 | |
| 400 | — | — | — | 12.6 | 12.9 | |
| 420 | — | — | — | 12.3 | 12.4 | |
| 440 | — | — | — | — | 12.1 | |
| 460 | — | — | — | — | 11.9 | |

For complete chart, refer to www.cranelibrary.com.

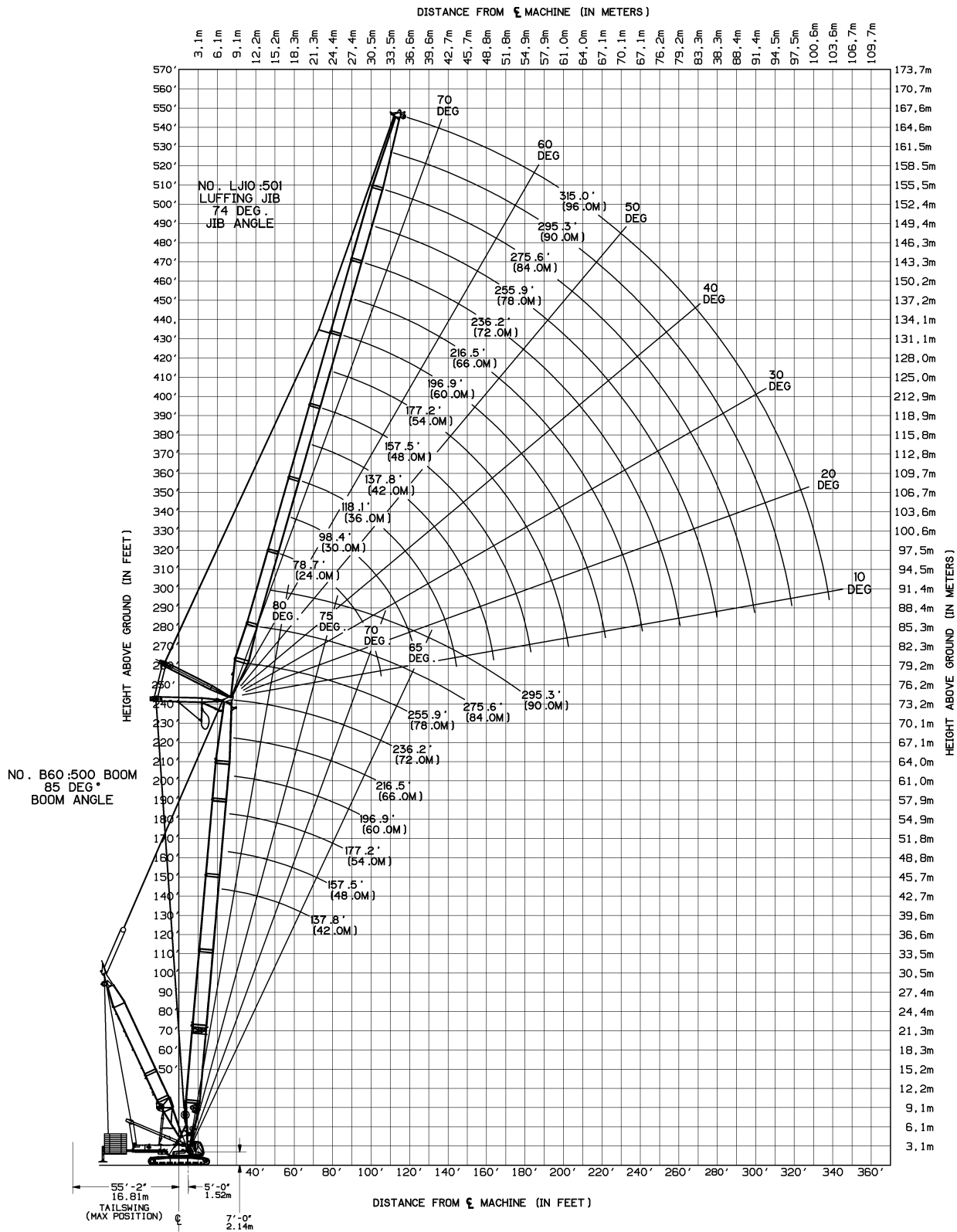
THIS CHART IS ONLY A GUIDE AND SHOULD NOT BE USED TO OPERATE THE CRANE.

The individual crane's load chart, operating instructions and other instructional plates must be read and understood prior to operating the crane

Luffing jib working range diagram

VPC-MAX™

LJ10:501 luffing jib on B60:500 boom with VPC-MAX™



THIS CHART IS ONLY A GUIDE AND SHOULD NOT BE USED TO OPERATE THE CRANE.

The individual crane's load chart, operating instructions and other instructional plates must be read and understood prior to operating the crane

Luffing jib load chart

VPC-MAX™

LJ10:501 luffing jib on B60:500 boom with VPC-MAX™ Series 3

474,100 lb counterweight 360° Rating lb x 1000 85° boom angle

138 ft boom length

| Radius ft | Luffing jib length ft | | | | |
|-----------|-----------------------|-------|-------|------|------|
| | 79 | 138 | 197 | 236 | 315 |
| 45 | 330.7 | - | - | - | - |
| 50 | 314.4 | - | - | - | - |
| 60 | 249.6 | 195.3 | - | - | - |
| 70 | 208.3 | 178.5 | - | - | - |
| 80 | 179.8 | 163 | 124.8 | - | - |
| 90 | 160.1 | 146.5 | 120.8 | 88.2 | - |
| 100 | - | 132.2 | 115.1 | 86.9 | - |
| 120 | - | 108.6 | 103.4 | 84.3 | 40.8 |
| 140 | - | 90.2 | 92.3 | 76.6 | 38.4 |
| 160 | - | - | 82.1 | 68.3 | 36.2 |
| 180 | - | - | 71.5 | 59.8 | 34.2 |
| 200 | - | - | 60.2 | 51.2 | 32.4 |
| 220 | - | - | - | 43 | 30.8 |
| 240 | - | - | - | 35.5 | 29.5 |
| 260 | - | - | - | - | 28.4 |
| 280 | - | - | - | - | 27.5 |
| 300 | - | - | - | - | 18.9 |
| 320 | - | - | - | - | 10 |

177 ft boom length

| Radius ft | Luffing jib length ft | | | | |
|-----------|-----------------------|-------|-------|------|------|
| | 79 | 138 | 197 | 236 | 315 |
| 50 | 291.4 | - | - | - | - |
| 60 | 240.3 | - | - | - | - |
| 70 | 201.9 | 174.1 | - | - | - |
| 80 | 175.1 | 160.8 | 113.7 | - | - |
| 90 | 156.3 | 147.6 | 112.6 | - | - |
| 100 | 146.3 | 133.9 | 110 | 78.8 | - |
| 120 | - | 110.9 | 100 | 77.2 | 38.7 |
| 140 | - | 92.6 | 90.2 | 74 | 36.8 |
| 160 | - | 73.5 | 80 | 66.7 | 35 |
| 180 | - | - | 70.1 | 59.1 | 33.3 |
| 200 | - | - | 61.2 | 51.2 | 31.7 |
| 220 | - | - | - | 43.5 | 30.3 |
| 240 | - | - | - | 36.2 | 29 |
| 260 | - | - | - | - | 28 |
| 280 | - | - | - | - | 27.1 |
| 300 | - | - | - | - | 19.5 |
| 320 | - | - | - | - | 11 |

217 ft boom length

| Radius ft | Luffing jib length ft | | | | |
|-----------|-----------------------|-------|------|------|------|
| | 79 | 138 | 197 | 236 | 315 |
| 60 | 223.2 | - | - | - | - |
| 70 | 189.3 | 153.3 | - | - | - |
| 80 | 165 | 151.8 | - | - | - |
| 90 | 147.6 | 140.6 | 95.3 | - | - |
| 100 | 136.4 | 125.6 | 94.7 | 68.8 | - |
| 120 | - | 104.1 | 89.9 | 67.7 | 34.5 |
| 140 | - | 90.4 | 78.7 | 66.2 | 33.2 |
| 160 | - | 79.4 | 68.1 | 60 | 31.9 |
| 180 | - | - | 58.9 | 53.1 | 30.5 |
| 200 | - | - | 51.6 | 46.9 | 29.3 |
| 220 | - | - | 47.7 | 41.5 | 28.1 |
| 240 | - | - | - | 35.1 | 27.1 |
| 260 | - | - | - | 29.3 | 25.6 |
| 280 | - | - | - | - | 23.2 |
| 300 | - | - | - | - | 16.7 |
| 320 | - | - | - | - | 10.2 |

276 ft boom length

| Radius ft | Luffing jib length ft | | | | |
|-----------|-----------------------|------|------|------|------|
| | 79 | 138 | 197 | 236 | 315 |
| 60 | 147.2 | - | - | - | - |
| 70 | 143.6 | - | - | - | - |
| 80 | 138 | 98.6 | - | - | - |
| 90 | 126.4 | 96.6 | 67.1 | - | - |
| 100 | 115 | 94 | 66.5 | 51.5 | - |
| 120 | - | 81.3 | 64.5 | 50.6 | - |
| 140 | - | 69.7 | 57.5 | 48.6 | 27.2 |
| 160 | - | 61.5 | 50.4 | 43.7 | 26.4 |
| 180 | - | - | 44.1 | 38.8 | 25.5 |
| 200 | - | - | 39.1 | 34.4 | 24.1 |
| 220 | - | - | 36 | 30.6 | 22 |
| 240 | - | - | - | 27.7 | 19.8 |
| 260 | - | - | - | 25.5 | 17.9 |
| 280 | - | - | - | - | 16.1 |
| 300 | - | - | - | - | 14.6 |
| 320 | - | - | - | - | 10.5 |

THIS CHART IS ONLY A GUIDE AND SHOULD NOT BE USED TO OPERATE THE CRANE.

The individual crane's load chart, operating instructions and other instructional plates must be read and understood prior to operating the crane

Specifications

Upperworks

Engine

Cummins Model QSG-12 diesel, 720 cubic inch displacement, inline 6 cylinder, 450 hp @1800 governed rpm. Emissions Level: U.S. EPA/ CARB Tier 4 Final/ EU Stage IV Compliant.

Included are engine block heater (240 V), engine oil pan heater (240 V), air intake grid heater, disconnect clutch for cold weather starting, exhaust aftertreatment, variable speed hydraulic cooling fan, hydraulic oil cooler, radiator, charge air cooler, and fuel cooler.

Also included are two 12 volt maintenance-free, Group 8D batteries, 1375 CCA at 0°F, 24 volt starting and 110 amp alternator.

Single diesel fuel tank is 255 gal capacity complete with physical level indicator on tank and electronic level indicator in the operator's cabin.

Optional: Cold-weather package with heater for fluids.

Crane Control System

The Crane Control System offers a user-friendly interface, two full graphic displays mounted horizontally for better visibility, a jog dial for easier data input and ergonomic joysticks.

Hydraulic system

Efficient, independent, full power multi-functional control is achieved in all operating modes through a combination of open and closed loop system optimized by Manitowoc's proprietary onboard Crane Control System.

145 gal hydraulic reservoir is equipped with sight gauge, breather, clean out access, 100 micron mesh internal strainers, and 40 micron inlet screens. Primary filtration system is equipped with 8 micron absolute filters.

Drums

Basic machine is equipped with an independent main drum assembly and independent luffing/aux drum assembly mounted in the boom butt. Each drum is driven by a variable-displacement hydraulic motor through a planetary reduction. Drums are grooved for 28 mm wire rope. Main hoist has 36,760 lb linepull on all layers with a 27.5 in drum diameter; luffing/aux drum has 30,000 lb linepull on all layers with a 23.6 in drum diameter.

Powered hoisting/ lowering operation with automatic spring applied, hydraulically released multi-disc brakes, and drum rotation indicators standard.

Basic machine is equipped with a rigging winch mounted in the boom butt. Drum utilizes 8 mm wire rope with 2,250 lb max linepull capability.

- Optional: auxiliary hoists – Rotating bed mounted, can be fitted with one or two auxiliary drums grooved for 28 mm wire rope, and both having 36,760 lb linepull on all layers. These two drums can be used independently or in tandem to suit a variety of lift applications.
- Optional: freefall hoists – Rotating bed mounted, can be fitted with one or two freefall equipped drums grooved for 28 mm wire rope. Freefall function is controlled by wet disk brake manually applied by foot pedal with locking latch in operator's cabin. Operator may select freefall or powered lowering mode using a selector switch in the cab.

Moving mast system

Independent boom hoist consists of a single drum grooved for 26 mm diameter wire rope. Includes 1,395 ft of 26 mm diameter wire rope to accommodate 24 part live mast reeving. Drum is powered by a variable displacement hydraulic motor coupled to an internal spring applied, hydraulically released multi-disc brake and planetary gearbox equipped with ratcheting pawl and drum rotation indicators. Live mast system assembly module includes live mast, boom hoist drum and rear sheave nest. The assembly weighs 19,800 lb and may be removed from the rotating bed for an upperworks module transport weight reduction.

Swing system

Rotating bed mounted independent swing is powered by a fixed displacement hydraulic motor coupled to an internal brake and planetary reduction engaging a 9 ft 10 in diameter triple row roller turntable bearing.

Swing system maximum speed: 2,0 rpm.

Boom support system

Moving mast is 30 ft long and connects the boom hoist reeving to the high strength steel boom suspension strap rigging. When used with optional self-erect package, the mast with integral hydraulic cylinder is used for handling crawlers, counterweight and boom sections.

Spring cushioned boom stop and automatic electrical boom stop are standard.

Variable position counterweight™

The Variable Position Counterweight™ (VPC™) system, with only rotating bed counterweight, maintains optimum crane stability by automatically positioning crane counterweight based on boom length and load radius. No carbody counterweight is required.

The crane can be equipped with 386,200 lb of upperworks counterweight made up of a single piece counterweight tray and sixteen 22,000 lb counterweight boxes or with 474,400 lb of upperworks counterweight with twenty 22,000 lb counterweight boxes. Left and right side counterweights are interchangeable and common with the Model MLC650 counterweight.

Vision operator's cab

The Vision Cab™ is a fully enclosed and insulated galvanized steel module mounted to the left front corner of the rotating bed. Module is equipped with power tilt, sliding door, large safety glass windows, front and roof windshield wipers, dome light, sun visor and shade, fire extinguisher, air conditioning, swing and travel alarms, and radio/CD player. Operator's station swings over front of rotating bed and includes nylon protective window covers for transport.

Lowerworks



Carbody

Connects rotating bed and crawler frames. Each frame is mounted to the carbody with FACT connection system and hydraulic power-actuated pins.



Crawlers

Crawler assemblies are 32 ft long with 48 in wide cast steel crawler pads and automatically lubricated intermediate rollers. Left and right side crawlers are interchangeable to provide assembly/disassembly flexibility on jobsites. Each crawler is powered independently by a variable displacement hydraulic motor connected via screw together hydraulic quick disconnects. Crawlers provide ample tractive effort for travel and counter-rotating with full rated load.

Maximum ground speed of .8 mph.

- Optional: 60 in wide treads.

Attachments



No. 500 boom

The liftcrane is equipped with 98.4 ft No. 500 basic boom consisting of 26.2 ft butt, 39.4 ft insert with luffing/aux hoist sheaves and 32.8 ft top with eight 30 in diameter sheaves with tapered roller bearings. Includes rope guides, boom hoist wire rope, boom angle indicator and hook and weight ball. The boom utilizes Manitowoc's exclusive FACT boom connection system. Includes spring cushioned boom stop, automatic boom stop, hydraulically powered boom hinge system including cylinder, hydraulic piping, operating controls, and locking device.

- Optional: 19.7 ft, 39.4 ft, and 39.4 ft with wire rope suspension No. 500 boom inserts with steel boom suspension straps for a maximum boom length of 334.6 ft.

Detachable upper boom point with 30 in diameter sheave with tapered roller bearings grooved for 28 mm rope with rope guard.



No. 148 fixed jib

39.4 ft No. 148 fixed jib including pin 19.7 ft butt, 19.7 ft top, jib strut and mounting hardware.

- Optional: 19.7 ft and 39.4 ft No. 148 inserts with pin connectors and pendants for a maximum jib length of 137.8 ft.



No. 501 luffing jib

78.7 ft No. 501 luffing jib includes 19.7 ft butt, 19.7 ft transition insert, 39.4 ft top, basic straps, main strut, jib strut, backstay straps and jib point guide wheel.

- Optional: 19.7 ft and 39.4 ft No. 501 luffing jib inserts with steel boom suspension straps for a maximum luffing jib length of 315.0 ft.



VPC-MAX™

The VPC-MAX™ components include:

- 98.4 ft of No. 503 mast consisting of a 19.7 ft butt, 19.7 ft insert, 39.4 ft insert with sheave, and 19.7 ft top.
- One additional swing drive (for a total of two) mounted on the front of the rotating bed. Each swing drive is powered by a fixed-displacement hydraulic motor coupled to a planetary reduction gearbox and internal spring applied, hydraulically released multi-disc brake.

- VPC-MAX™ counterweight actuator assembly consisting of a high strength steel frame, 2 drive assemblies, hydraulic piping and controls.
- VPC-MAX™ counterweight beam assembly consisting of a high strength steel frame fitted with gear teeth and roller path prepared to receive VPC-MAX™ actuator assembly.
- The base machine VPC™ actuator assembly, crane counterweight tray and counterweight are utilized.

The VPC-MAX™ system maintains optimum crane stability by automatically positioning crane counterweight behind the crane's centerline of rotation based on lifted load, boom length and load radius.

Optional equipment

- Self-erect system including carbody jacking cylinders with pads, self-erect cylinder fitted to the live mast assembly and crawler handling chains.
- Hydraulic Test Kit: recommended to properly analyze the performance of the CCS control system.
- Service Interval Kits for the regularly scheduled maintenance of general crane operations.
- Special paint color(s) other than Manitowoc standard red and black.
- Custom vinyl decal(s) of customer name and/or logo from artwork supplied by customer.
- Export Packaging: basic crane, boom and jib sections.
- Additional load blocks available upon request.

Manitowoc Cranes

Regional headquarters

Americas

Milwaukee, Wisconsin, USA

Tel: +1 414 760 4600

Shady Grove, Pennsylvania, USA

Tel: +1 717 597 8121

Fax: +1 717 597 4062

Europe and Africa

Dardilly, France - TOWERS

Tel: +33 (0)4 72 18 20 20

Fax: +33 (0)4 72 18 20 00

Wilhelmshaven, Germany - MOBILE

Tel: +49 (0) 4421 294 0

Fax: +49 (0) 4421 294 4301

China

Shanghai, China

Tel: +86 21 6457 0066

Fax: +86 21 6457 4955

Middle East and Greater Asia-Pacific

Singapore

Tel: +65 6264 1188

Fax: +65 6862 4040

Dubai, UAE

Tel: +971 4 8862677

Fax: +971 4 8862678/79



This document is non-contractual. Constant improvement and engineering progress make it necessary that we reserve the right to make specification, equipment, and price changes without notice. Illustrations shown may include optional equipment and accessories and may not include all standard equipment.