



Single stage outriggers for operation in confined areas. 3330FL shown with optional cab.



Ergonomic controls directly connected to valve with simultaneous function operation

Note: Shuttlelift reserves the right to change these specifications without notice and incurring any obligation relating to such changes.



Large winch capacity for use with 1/2" (12.7 mm) wire rope



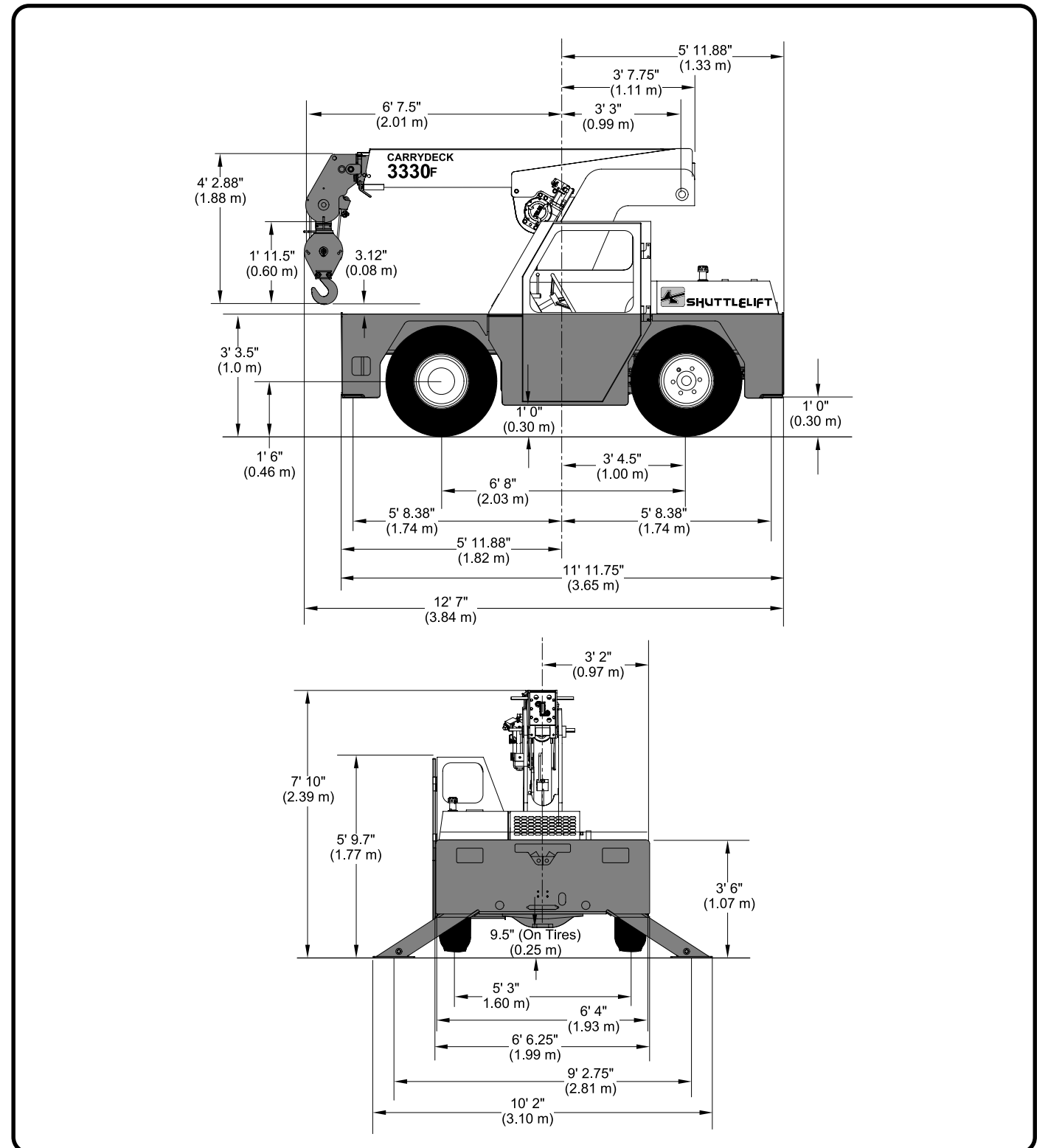
8.5 ton (7711 kg) lift capacity with 2-part line. Quick reeve main block for conversion to single line down haul block (tools not required).



49 E. Yew St. • PO Box 66 • Sturgeon Bay, WI • 54235-0066 USA
 Tel: (920) 743-8650 • FAX: (920) 743-1522
 E-Mail: sales@shuttlelift.com • <http://www.shuttlelift.com>

SHUTTLELIFT®
Carrydeck®
Industrial Cranes

MODEL
3330F
8.5 TON (7711 KG)



Specifications

GENERAL INFORMATION

Boom topping angle 60°
 Unit weight (approximate) 13,400 lb (6078 kg)
 Outrigger pad size 8" x 15" (203 mm x 381 mm)

SERVICE CAPACITIES

Fuel tank 18.5 gal. (70 L)
 Hydraulic system 30 gal. (114 L)
 Hydraulic tank 23.5 gal. (89 L)
 Cooling system 15 qt. (14 L)
 Transmission/Torque Converter 4 gal. (15.1 L)
 Differential 2.1 gal. (7.95L)
 Axle Wheel Hubs 2.1 qt. (1.99 L)

WINCHES

Main winch:
 Drum diameter 9.69" (246 mm)
 Wire rope diameter 1/2" (12.7 mm)
 Python Ultra XIPS wire rope
 Wire rope length 97' (29.6 m)
 Line speed (4th layer) 88 fpm (26.8 m/min)
 Line pull (bare drum) 8,500 lb (3855 kg)
 Electric recessed winch (optional):
 Drum 2.5" x 9" (64 mm x 229 mm)
 Wire rope diameter 1/4" (6 mm)
 Wire rope length 100' (30.5 m)
 Line speed/pull 9 fpm (2.7 m/min)
 @ 6,000 lb (2722 kg)
 15 fpm (4.6 m/min) @ no load.
 Drum clutch release for manual pullout.

STANDARD EQUIPMENT

- 3330F – 3-section boom, 9' 8" to 21' 2" (2.95 m to 6.45 m) from boom pivot pin to boom head pin
- All load carrying cylinders include load holding check valves
- 8.5 ton (7.7 metric ton) single sheave hook block, 8.00" (203 mm) pitch diameter sheaves
- 42 ft² (3.90 m²) carrydeck -- 14,000 lb (6350 kg) deck load
- 4-wheel steer
- Open cab
- Adjustable operator's seat with seat belt
- Electric horn
- Lights – head, tail, rear work, stop and turn signals
- Engine hourmeter
- Outriggers – hydraulic telescoping box – front and rear with independent control for each side
- 4-speed synchromesh transmission
- Power steering – hydraulic
- 10:00 x 15 tires
- Boom angle indicator
- Anti-two blocking cutout for telescope and hoist
- Backup alarm
- GM 3.0L gas engine with engine shut down system
- Winch – anti-two block kickout

OPTIONAL EQUIPMENT

- 3330F – 4-section manually engaged boom – length to 27' 8" (8.46 m)
- Enclosed cab with windshield wiper and right sliding window

- Cab guard
- Independent outrigger controls.
- Adjustable operator's cushion seat with seat belt
- Cummins 4B 3.3L turbo diesel engine
- GM 3.0L electronic fuel injected dual fuel gasoline/LPG engine
- Crab steering

ACCESSORIES AND ATTACHMENTS

- Cold start kit (ether injector and second battery)
- Engine block heater
- Load moment indicator (LMI) system
- Flashing amber strobe light
- Rear hitch (pintle)
- Front hitch (pintle)
- 5 ton (4.5 metric ton) down haul block
- 6' (1.83 m) pin on stowable boom extension (not swing away)
- Electric recessed winch
- Heater and defroster (hot water)
- Spare wheel and tire – front and rear
- Engine shut down system (diesel engine)
- Two-man work platform
- High rail attachment
- Spark arrester muffler
- Fire extinguisher
- Lifting lugs (four)
- Catalytic converter for diesel engine
- Headlight and taillight grilles

HYDRAULIC SYSTEM

Main pump Variable displacement piston pump with fixed displacement gear pump

Maximum flow 28.5 gpm (107.9 Lpm) @ 2500 rpm
 Swing speed continuous at 2.05 rpm

HYDRAULIC CYLINDERS

CYCLE TIME
800 rpm **2500 rpm**
 Hoist Cylinder (full stroke):
 Extend 14.0 sec 11.0 sec
 Retract 12.2 sec 9.2 sec
 Crowd Cylinder (full stroke):
 Extend 62.3 sec 28.9 sec
 Retract 28.3 sec 25.0 sec
 Outriggers:
 Down 20.0 sec 9.0 sec
 Up 11.6 sec 5.4 sec

DRAWBAR PULL

Unit equipped with 10 x 15 tires, dual fuel engine and no load on deck:
 1st gear 9,023 lb (4093 kg)
 2nd gear 5,375 lb (2438 kg)
 3rd gear 2,960 lb (1343 kg)
 4th gear 1,700 lb (803 kg)

ENGINE

Standard (Gasoline):
 Make and model GM 3.0L EFI
 Horsepower 70 (52.2 kw) @2600 rpm
 Optional (Dual Fuel - Gasoline/LPG):
 Make and model GM 3.0L EFI
 Horsepower 70 (52.2 kw) @2600 rpm
 Optional (Diesel):
 Make and model Cummins 4B 3.3L turbo
 Horsepower 85 (63.4 kw) @ 2600 rpm

ELECTRICAL

Starting system 12 volt electric
 Battery (1) 820 CCA @ 0° F (-18° C) for 30 second rate
 (2) batteries with recessed winch or cold start
 Alternator 63 amp

TRANSMISSION

Type synchromesh transmission
 4-speed forward/reverse

DRIVE/STEER AXLE

Make Carraro
 Location Front of vehicle

STEERING AXLE (NON-DRIVE)

Make Shuttlelift
 Location Rear of vehicle

TIRE SIZE

10:00 x 15 14PR pneumatic (standard)

TURNING SPECIFICATIONS

Turning radius: to centerline of outside wheels
 Two-wheel steer 14' 8" (4.47 m)
 Four-wheel steer 10' 2" (3.10 m)

TRAVEL SPEEDS

Standard tires, dual fuel engine:
 1st gear 4.62 mph (7.44 km/h)
 2nd gear 7.26 mph (11.68 km/h)
 3rd gear 13.35 mph (21.48 km/h)
 4th gear: 22.15 mph (35.65 km/h)

MAXIMUM GRADEABILITY (Paved Surface)

1st gear (calculated, standard tires, dual fuel engine):
 No load 57%
 12,000 lb (5443 kg) load 31%
Note: Gradeability is a measure of tractive effort only and does not represent grades on which the machine can operate.

Note: All specifications are stated in accordance with PCSA and ANSI B30.5 definitions, SAE standards or recommended practices, where applicable.

Note: CE compliance will require modifications along with derated load capacities/chart. Consult factory.

Rated Load Capacities - 3330F

Operating Radius	3-Section Boom or 4-Section Boom With 4th Retracted				MAIN BOOM	Operating Radius	4-Section Boom With 4th Extended			
	On Outriggers		On Rubber				On Outriggers		On Rubber	
	Front	360°	Front	360°			Front	360°	Front	360°
5' (1.5 m)	*17,000 lb (7711 kg)	*17,000 lb (7711 kg)	10,000 lb (4536 kg)	10,000 lb (4536 kg)	BOOM EXTENSION	5' (1.5 m)	6,100 lb (2767 kg)	6,100 lb (2767 kg)	6,100 lb (2767 kg)	6,100 lb (2767 kg)
6' (1.8 m)	*15,700 lb (7120 kg)	*14,400 lb (6532 kg)	10,000 lb (4536 kg)	7,400 lb (3357 kg)		6' (1.8 m)	6,100 lb (2767 kg)	6,100 lb (2767 kg)	6,100 lb (2767 kg)	6,100 lb (2767 kg)
8' (2.4 m)	*12,400 lb (5625 kg)	10,800 lb (4899 kg)	7,150 lb (3243 kg)	4,400 lb (1996 kg)		8' (2.4 m)	5,300 lb (2404 kg)	5,300 lb (2404 kg)	5,300 lb (2404 kg)	5,250 lb (2381 kg)
10' (3.0 m)	10,200 lb (4627 kg)	8,600 lb (3901 kg)	4,700 lb (2132 kg)	2,950 lb (1338 kg)		10' (3.0 m)	4,700 lb (2132 kg)	4,700 lb (2132 kg)	4,700 lb (2132 kg)	3,750 lb (1701 kg)
12' (3.7 m)	8,500 lb (3856 kg)	7,000 lb (3175 kg)	3,400 lb (1542 kg)	2,175 lb (987 kg)		12' (3.7 m)	4,400 lb (1996 kg)	4,400 lb (1996 kg)	3,800 lb (1724 kg)	2,450 lb (1111 kg)
14' (4.3 m)	7,200 lb (3266 kg)	5,400 lb (2449 kg)	2,650 lb (1202 kg)	1,700 lb (771 kg)		14' (4.3 m)	4,400 lb (1996 kg)	4,400 lb (1996 kg)	2,900 lb (1406 kg)	1,875 lb (850 kg)
16' (4.9 m)	6,100 lb (2767 kg)	4,300 lb (1950 kg)	2,150 lb (975 kg)	1,325 lb (601 kg)		16' (4.9 m)	4,400 lb (1996 kg)	4,400 lb (1996 kg)	2,325 lb (1055 kg)	1,525 lb (692 kg)
18' (5.5 m)	5,000 lb (2268 kg)	3,550 lb (1610 kg)	1,775 lb (805 kg)	1,100 lb (499 kg)		18' (5.5 m)	4,400 lb (1996 kg)	4,100 lb (1860 kg)	1,900 lb (862 kg)	1,225 lb (556 kg)
20' (6.1 m)	2,700 lb (1225 kg)	2,700 lb (1225 kg)	1,525 lb (692 kg)	950 lb (431 kg)		20' (6.1 m)	4,300 lb (1950 kg)	3,150 lb (1429 kg)	1,800 lb (816 kg)	1,000 lb (454 kg)
22' (6.7 m)	2,600 lb (1179 kg)	2,600 lb (1179 kg)	1,350 lb (612 kg)	825 lb (374 kg)		22' (6.7 m)	3,700 lb (1678 kg)	2,700 lb (1225 kg)	1,375 lb (624 kg)	850 lb (386 kg)
24.5' (7.47 m)	2,200 lb (998 kg)	2,200 lb (998 kg)	1,150 lb (523 kg)	675 lb (306 kg)		24.5' (7.47 m)	3,100 lb (1406 kg)	2,300 lb (1043 kg)	1,200 lb (544 kg)	700 lb (318 kg)
26' (7.92 m)	--	--	--	--		26' (7.92 m)	2,700 lb (1225 kg)	2,125 lb (964 kg)	1,100 lb (499 kg)	650 lb (295 kg)
28' (8.53 m)	--	--	--	--		28' (8.53 m)	2,500 lb (1179 kg)	1,900 lb (862 kg)	975 lb (442 kg)	575 lb (260 kg)
30' (9.14 m)	--	--	--	--		30' (9.14 m)	2,300 lb (1034 kg)	1,700 lb (771 kg)	850 lb (386 kg)	475 lb (215 kg)
31' (9.45 m)	--	--	--	--		31' (9.45 m)	2,200 lb (998 kg)	1,625 lb (737 kg)	800 lb (363 kg)	425 lb (193 kg)

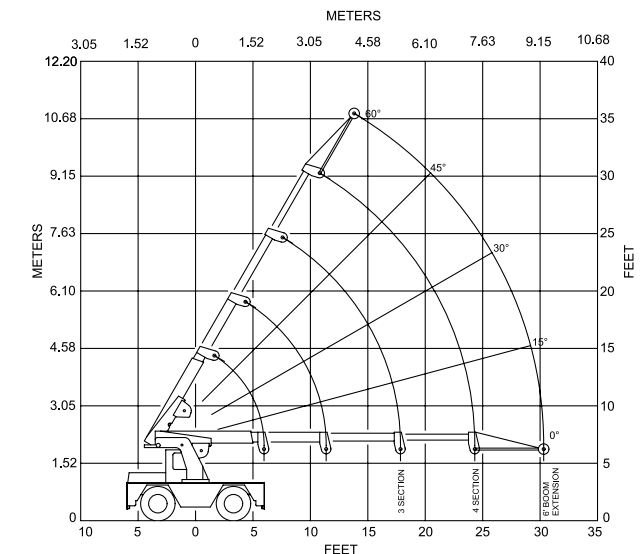
Boom Extension Capacities @ Main Boom Angle (Also Do Not Exceed Capacities In Above Chart)				
0°	5°	10°	20°	25°
2,200 lb (998 kg)	2,250 lb (1021 kg)	2,325 lb (1055 kg)	2,500 lb (1134 kg)	2,600 lb (1179 kg)
30°	35°	40°	45°	50°
2,700 lb (1225 kg)	2,800 lb (1270 kg)	2,875 lb (1304 kg)	3,000 lb (1361 kg)	3,150 lb (1429 kg)
55°	60°			
3,325 lb (1508 kg)	3,500 lb (1588 kg)			

Boom Extension Capacities @ Main Boom Angle (Also Do Not Exceed Capacities In Above Chart)				
0°	5°	10°	20°	25°
2,200 lb (998 kg)	2,250 lb (1021 kg)	2,325 lb (1055 kg)	2,500 lb (1134 kg)	2,600 lb (1179 kg)
30°	35°	40°	45°	50°
2,700 lb (1225 kg)	2,800 lb (1270 kg)	2,875 lb (1304 kg)	3,000 lb (1361 kg)	3,150 lb (1429 kg)
55°	60°			
3,325 lb (1508 kg)	3,500 lb (1588 kg)			

* LIMIT RATINGS TO 11,800 LB (5352 KG) WHEN 3RD SECTION IS EXTENDED ANY AMOUNT

JIB CAPACITY IS LIMITED BY BOTH STRUCTURAL CAPACITY CHART AND MAIN CAPACITY CHART.

SHADED AREAS ARE GOVERNED BY STRUCTURAL STRENGTH. DO NOT RELY ON TIPPING.



3330F 3 AND 4-SECTION BOOM
 8.5 ton (7.7 metric ton) main block, 140 lb (64 kg)
 5 ton (4.5 metric ton) ball and hook, 100 lb (45.4 kg)