



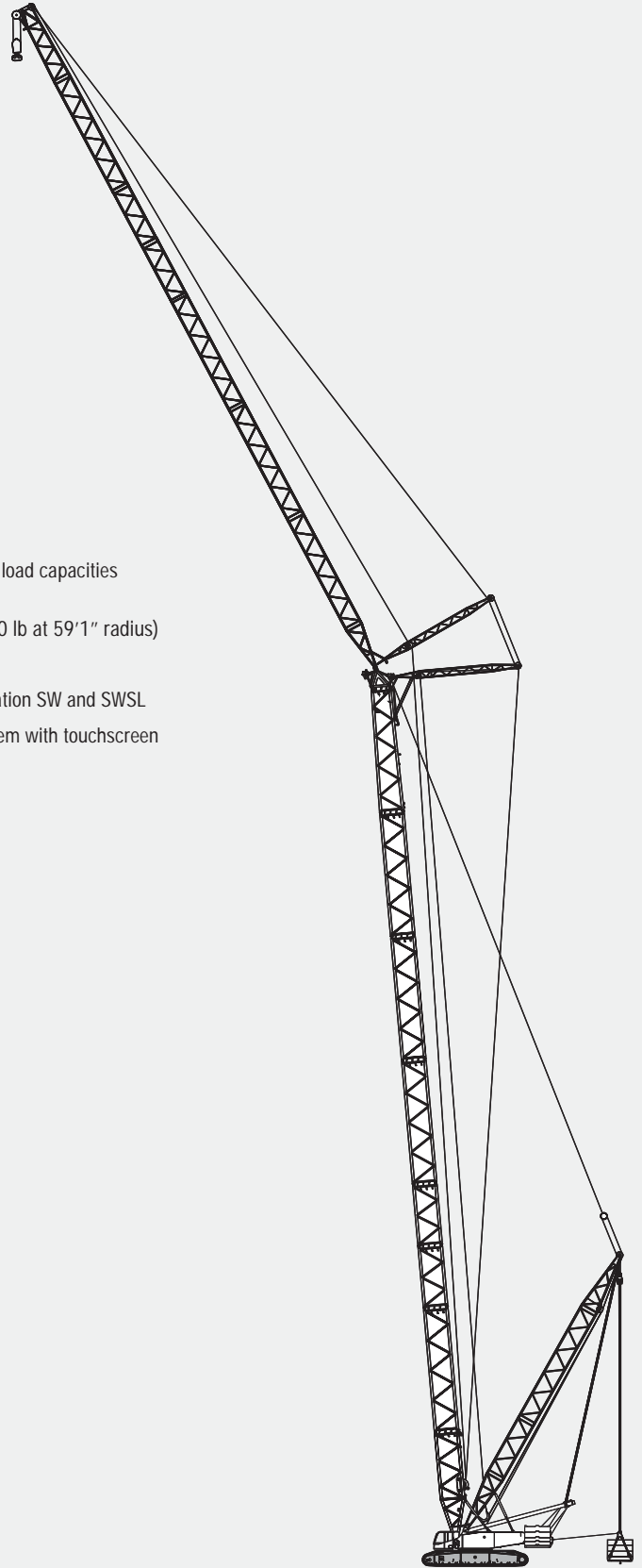
DEMAG CC2200 | Crawler Crane 385 ton Lifting Capacity



DEMAG CC2200
CRAWLER CRANE

DEMAG CC2200 HIGHLIGHTS

- Strong boom system – optimized for high load capacities and Superlift operation
- Maximum load moment 4680 tm (573,200 lb at 59'1" radius)
- Variable Superlift radius
- Variable offset of main boom for configuration SW and SWSL
- Innovative Demag IC-1 crane control system with touchscreen



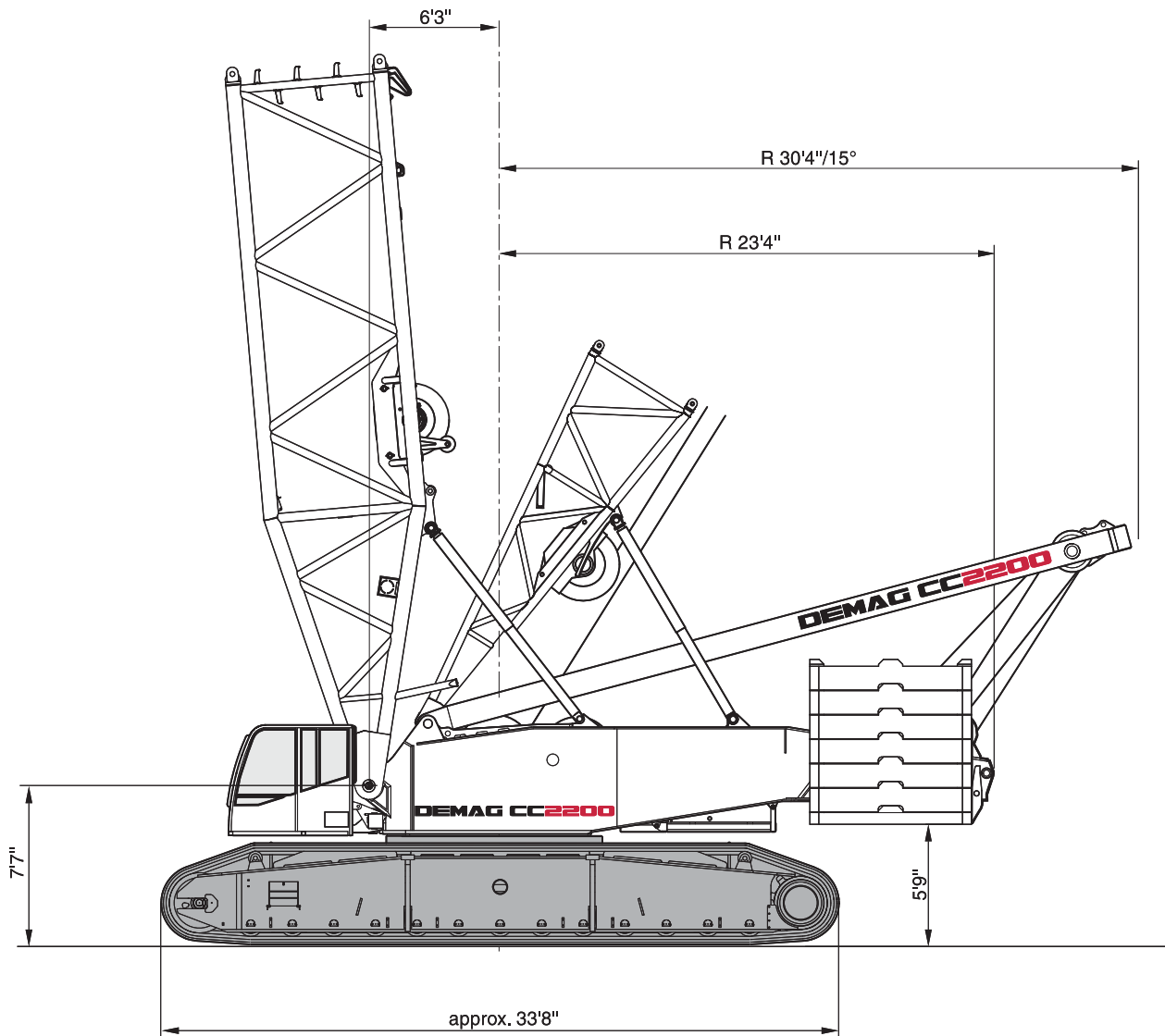
CONTENTS

	Page:	
Specifications		
Specifications	4	1
Superlift configurations	6	
Specifications	7	
Boom combinations	10	
Erection / lowering	12	
Main boom		
Working ranges (SH, SH / LH)	13	2
Lifting capacities (SH, SH / LH)	14	
Working ranges with Superlift (SSL, SSL/LSL)	16	
Lifting capacities with Superlift (SSL, SSL/LSL)	17	
Fixed fly jib		
Working ranges, 10° (SH + LF2, SH/LH + LF2)	20	3
Lifting capacities (SH + LF2, SH/LH + LF2)	21	
Working ranges with Superlift (SSL + LF2, SSL/LSL + LF2)	28	
Lifting capacities with Superlift (SSL + LF2, SSL/LSL + LF2)	29	
Luffing fly jib		
Working ranges (SW)	38	4
Lifting capacities (SW)	39	
Working ranges (SWSL)	47	
Lifting capacities with Superlift (SWSL)	48	
Technical description		
Crawler carrier · Superstructure · Optional equipment	62	5
Boom configurations · Superlift configurations	63	
Transport example for CC 2200		
.....	64	6

SPECIFICATIONS
WORKING SPEEDS (INFINITELY VARIABLE)

Mechanisms	Speeds ¹⁾	Single line pull	Length of hoist rope
Hoist I	max. 492 ft / min	33,709 lb / 29,889 lb ²⁾	3346 ft
Hoist II	max. 426 ft / min	33,709 lb / 30,564 lb ²⁾	2296 ft
Boom derricking	max. 456 ft / min		
Boom hoist	max. 177 ft / min		
Jib luffing	max. 361 ft / min		
Slewing (RPM)	1.4		

¹⁾ top layer
²⁾ without / with reeving effect considered

BASIC CRANE DIMENSIONS


SPECIFICATIONS
CARRIER PERFORMANCE

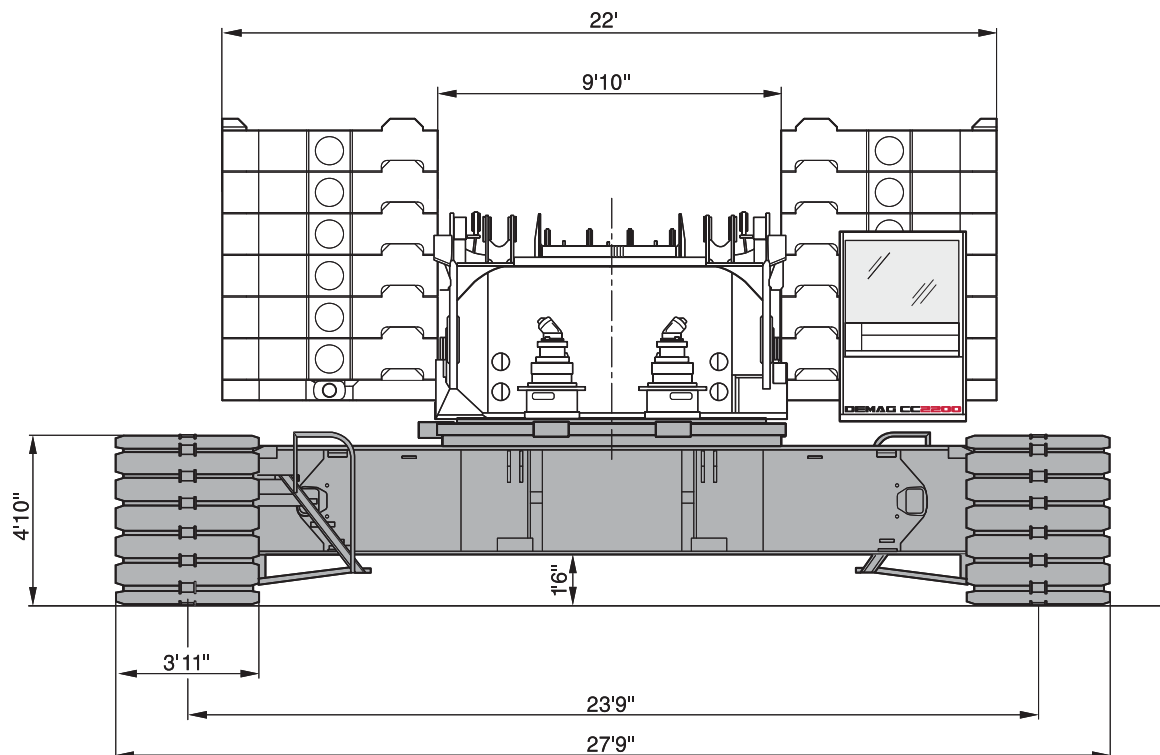
Travel speed

max. 1.24 mph

HOOK BLOCKS

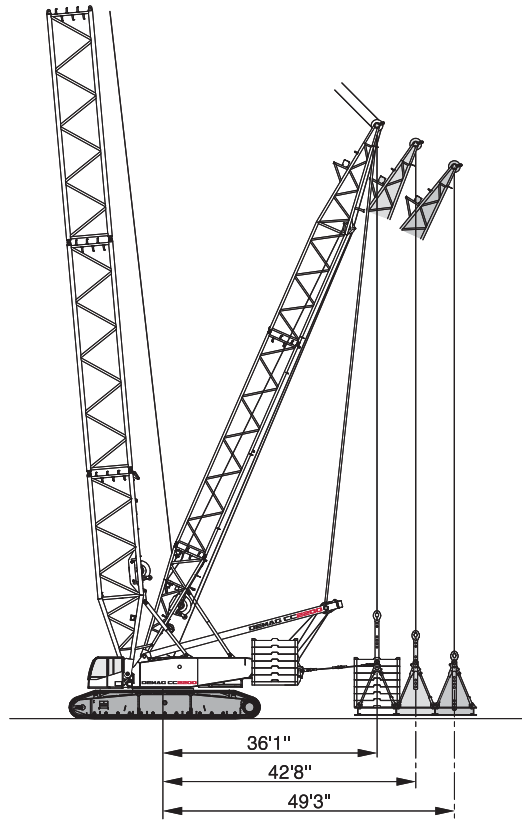
Type	Possible load	Number of sheaves	Number of lines	Weight	„D“
300*	661,387 lb	11	22	15,433 lb	16'5"
200*	440,925 lb	7	15	10,142 lb	16'5"
160	352,740 lb	5	11	9,260 lb	13'1"
100	220,463 lb	3	7	7,717 lb	11'6"
50	110,232 lb	1	3	3,748 lb	9'11"
15	33,070 lb	Single line hook	1	1,985 lb	8'2.5"

* The 661,387 lb hook block can be converted into the 440,925 lb hook block



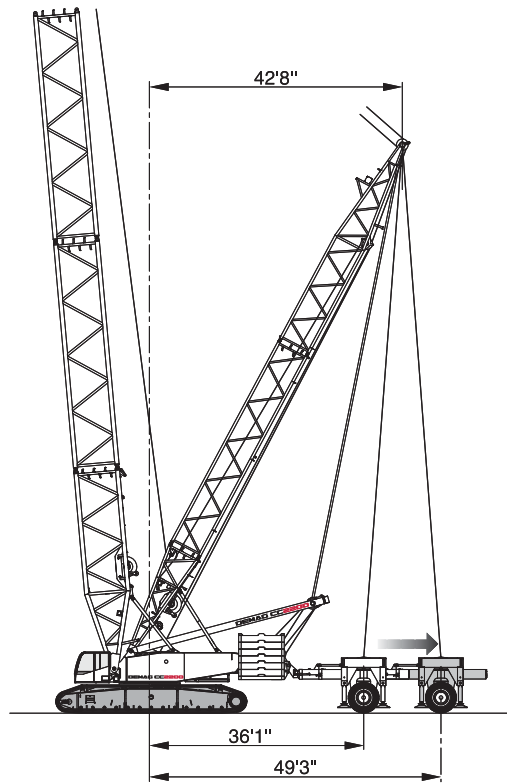
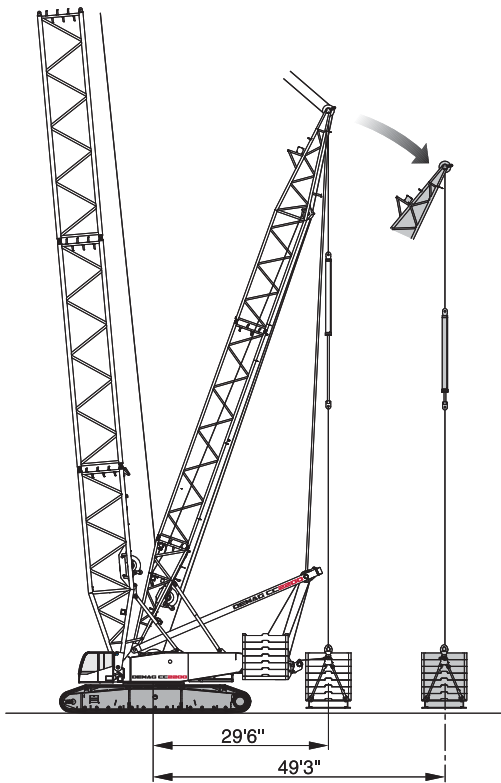
SUPERLIFT CONFIGURATIONS

STANDARD-SL  36'1", 42'8", 49'3"



VARIO-SL  29'6" - 49'3"

TELE-SL  36'1" - 49'3"

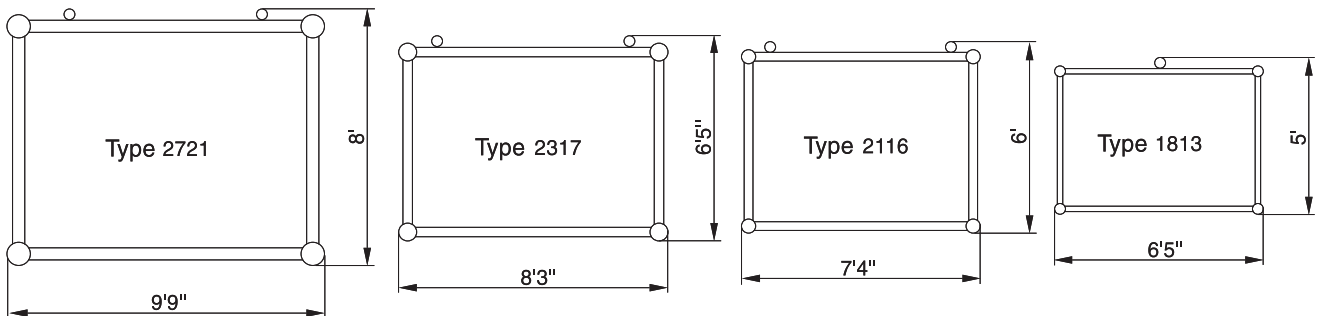
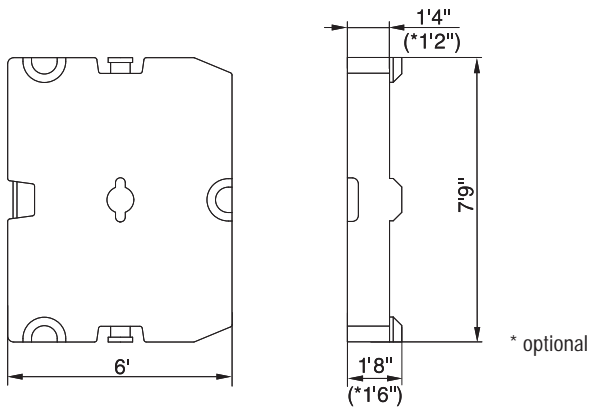
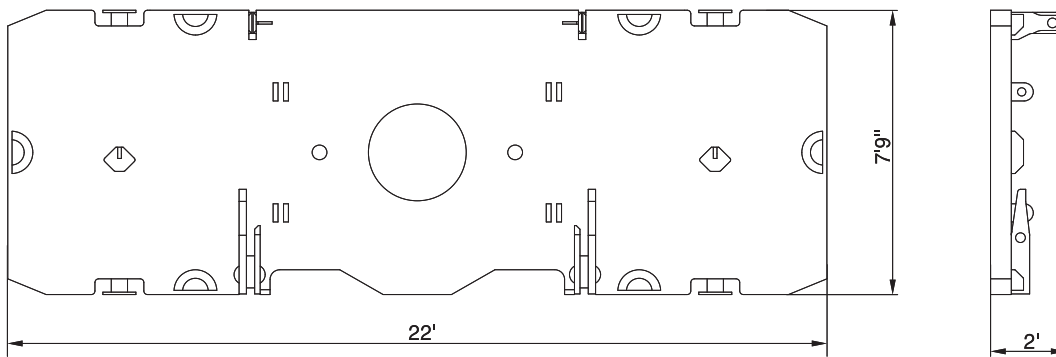
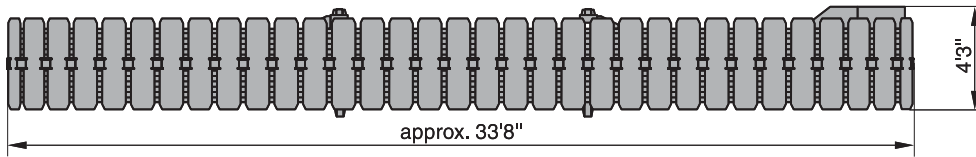
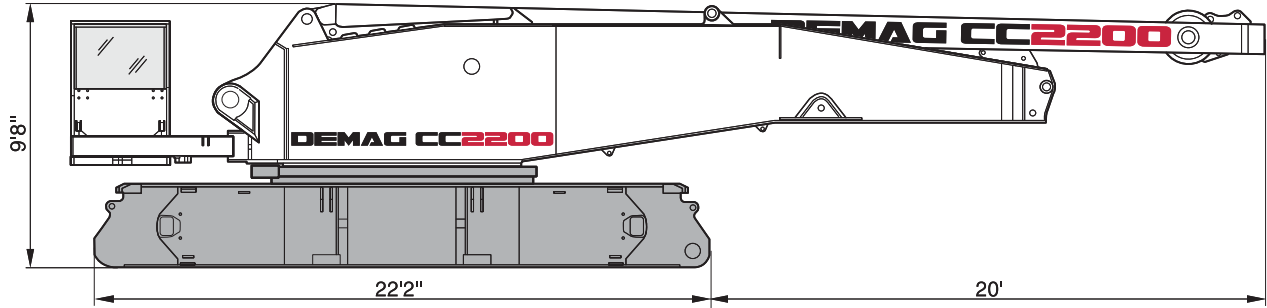


SPECIFICATIONS
WEIGHTS

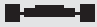
Total weight incl. 220,463 lb counterweight, 78'9" boom and hook block	504,860 lb
Superstructure (with 3 winches, A-frame, carbody, self-assembly equipment)	131,196 lb
Superstructure (with 3 winches, A-frame and quick-connection)	87,304 lb
Carbody with jacks and quick-connection	48,282 lb
Crawlers with track shoes (3'11")	2 x 51,589 lb
Counterweight	220,463 lb


GROUND PRESSURE


Ground pressure (based on total weight of 504,860 lb)	18.1 psi
---	----------


SPECIFICATIONS



KEY


-  Track


-  Counterweight + central ballast (ZB)


-  Superlift counterweight


-  Superlift radius

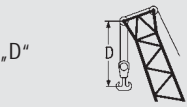
-  Load radius

-  Main boom

-  Fly jib

-  Main boom angle

-  Fly jib angle

-  „D“

- S: heavy

- L: light

- H: Main boom

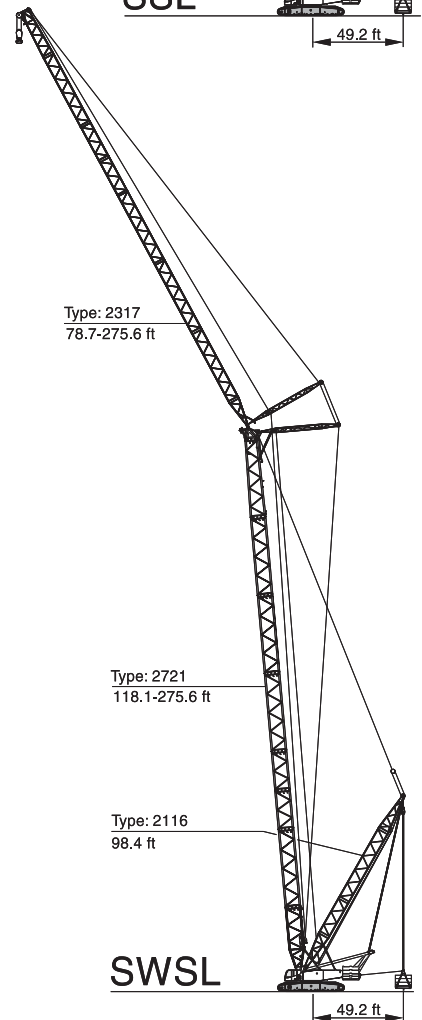
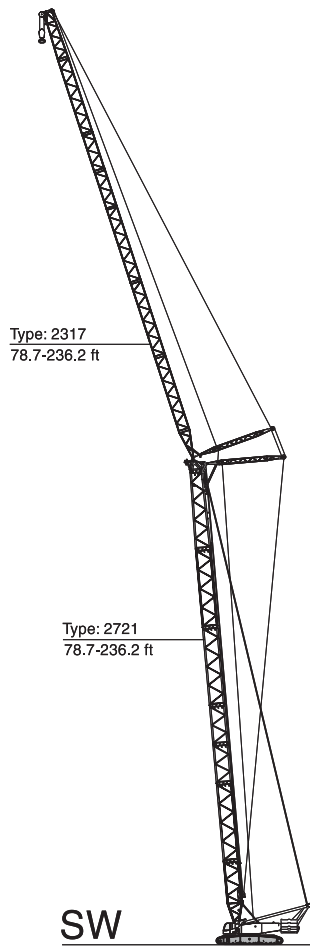
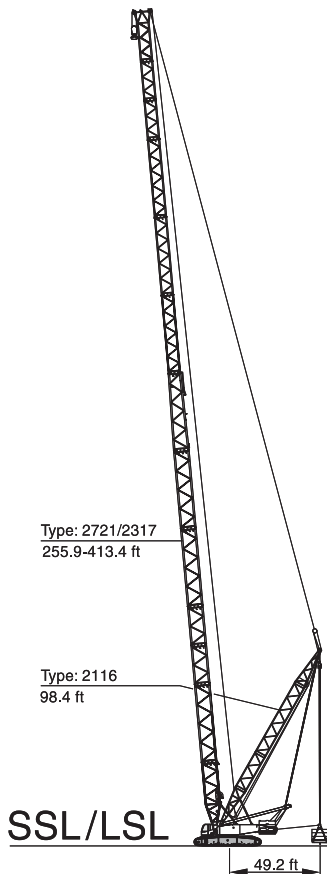
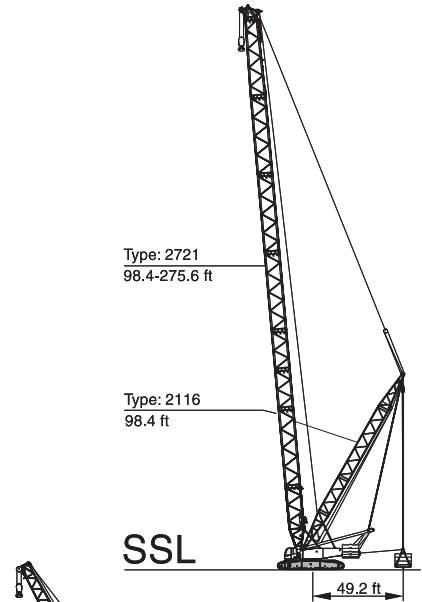
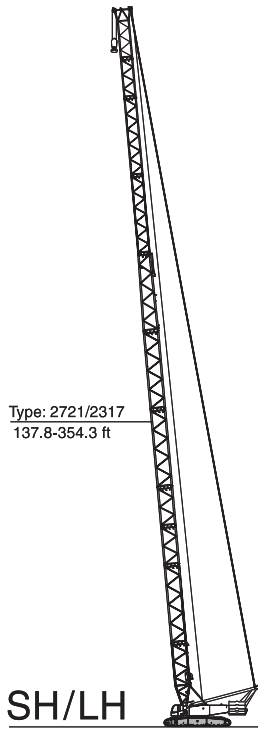
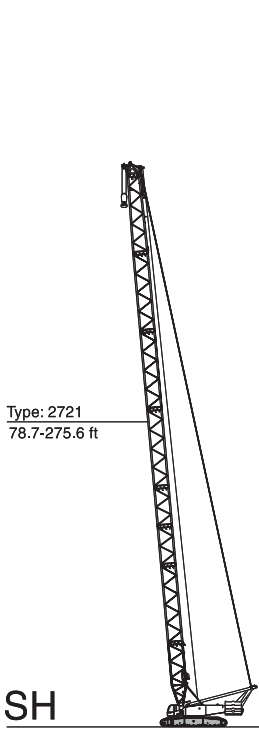
- W: Luffing fly jib

- F: Fixed fly jib

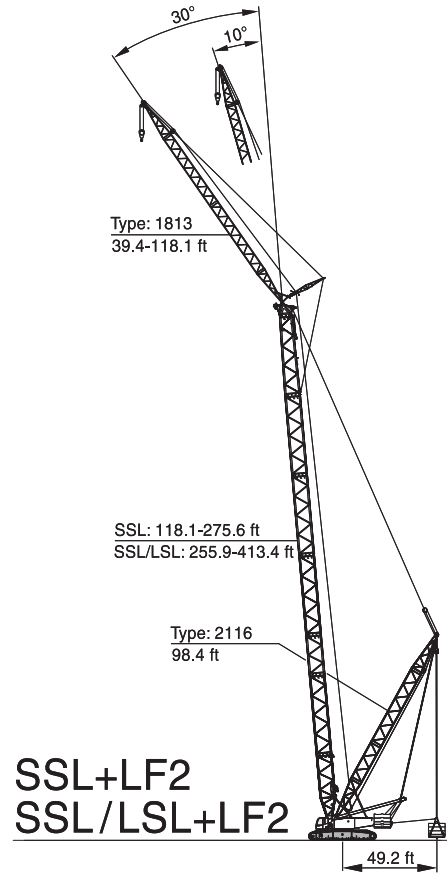
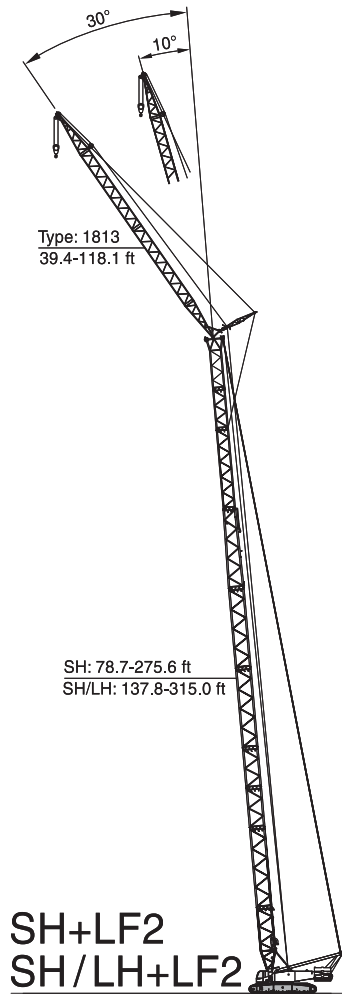
- SL: Superlift

- SGL: Heavy base length

BOOM COMBINATIONS



BOOM COMBINATIONS



ERECTION / LOWERING OF THE CC 2200 BOOM SYSTEMS TO THE GROUND

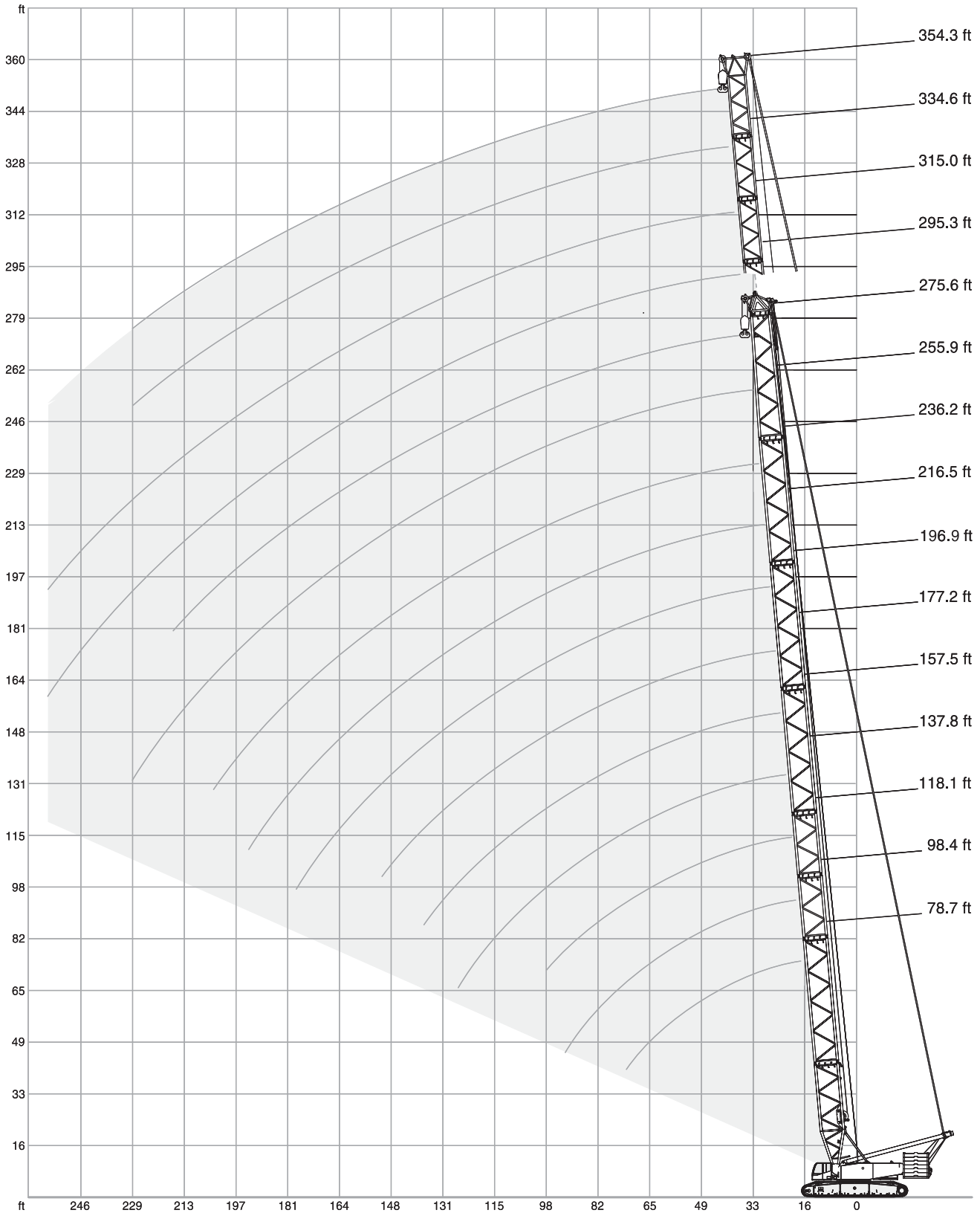
Boom combination	Fly jib (ft)	Main boom																			
		ft	78.7	98.4	118.1	137.8	157.5	177.2	196.9	216.5	236.2	255.9	275.6	295.3	315.0	334.6	354.3	374.0	393.7	413.4	
SH			X	X	X	X	X	X	X	X	(X)	[X]	-	-	-	-	-	-	-	-	
SH/LH			-	-	-	X	X	X	X	X	X	X	(X)	[X]	O	O	-	-	-	-	
SW	78.7		X	X	X	X	X	(X)	[X]	[X]	O	-	-	-	-	-	-	-	-	-	
	98.4		X	X	X	X	X	(X)	[X]	[X]	O	-	-	-	-	-	-	-	-	-	
	118.1		X	X	X	X	X	(X)	[X]	[X]	O	-	-	-	-	-	-	-	-	-	
	137.8		X	X	X	X	X	(X)	[X]	[X]	O	O	-	-	-	-	-	-	-	-	
	157.5		X	X	X	X	X	X	[X]	[X]	O	O	-	-	-	-	-	-	-	-	
	177.2		X	X	X	X	X	X	(X)	[X]	[X]	O	O	-	-	-	-	-	-	-	-
	196.9		X	X	X	X	X	X	[X]	[X]	[X]	O	O	-	-	-	-	-	-	-	-
	216.5		X	X	X	X	X	(X)	[X]	[X]	[X]	O	O	-	-	-	-	-	-	-	-
	236.2		X	X	X	X	X	(X)	[X]	[X]	[X]	O	O	-	-	-	-	-	-	-	-
SH+LF2	39.4		X	X	X	X	X	X	(X)	[X]	O	O	-	-	-	-	-	-	-	-	
SH/LH+LF2	39.4		-	-	-	X	X	X	X	X	(X)	[X]	O	O	O	-	-	-	-	-	
SSL			-	O	O	O	O	O	O	O	11	44	-	-	-	-	-	-	-	-	
SSL/LSL			-	-	-	-	-	-	-	-	0	11	33	55	77	110	132	132	165		
SSL+LF2	39.4		-	-	O	O	O	O	11	44	66	110	-	-	-	-	-	-	-	-	
SSL/LSL+LF2	39.4		-	-	-	-	-	-	-	-	44	77	99	132	143	165	198	231	265		
SWSL	78.7		-	-	O	O	33	77	121	143	187	231	276	-	-	-	-	-	-	-	
	98.4		-	-	O	O	33	77	110	154	198	243	287	-	-	-	-	-	-	-	
	118.1		-	-	O	O	22	66	110	154	198	231	276	-	-	-	-	-	-	-	
	137.8		-	-	O	O	11	55	110	154	198	231	287	-	-	-	-	-	-	-	
	157.5		-	-	O	O	11	55	99	132	187	231	287	-	-	-	-	-	-	-	
	177.2		-	-	O	O	11	44	88	121	165	220	276	-	-	-	-	-	-	-	
	196.9		-	-	O	O	22	55	88	121	165	209	276	-	-	-	-	-	-	-	
	216.5		-	-	O	O	22	55	88	121	165	209	254	-	-	-	-	-	-	-	
	236.2		-	-	O	O	33	66	99	132	165	209	254	-	-	-	-	-	-	-	
	255.9		-	-	O	O	33	66	99	132	176	209	254	-	-	-	-	-	-	-	
275.6		-	-	22	22	44	77	110	143	187	220	265	-	-	-	-	-	-	-		

Remarks

- X without assisting equipment
- (X) idler wheel supported
- [X] with additional side jack
- O with assist crane

All Superlift combinations can be erected or lowered to the ground without assisting equipment. The stated numbers represent the necessary SL-counterweight in [1,000 lb].

SH, SH/LH



SH

23'9"

360°

ISO

ft	78.7 ft		98.4 ft		118.1 ft		137.8 ft		157.5 ft	
	308.6 klb + 88.2 klb ZB	220.5 klb	308.6 klb + 88.2 klb ZB	220.5 klb	308.6 klb + 88.2 klb ZB	220.5 klb	308.6 klb + 88.2 klb ZB	220.5 klb	308.6 klb + 88.2 klb ZB	220.5 klb
	1,000 lb									
19.7	771.6	571.0	-	-	-	-	-	-	-	-
23.0	694.5	542.3	661.4	595.2	661.4	628.3	-	-	-	-
26.2	630.5	478.4	626.1	476.2	623.9	474.0	619.5	471.8	-	-
29.5	551.2	382.5	546.7	381.4	544.5	379.2	542.3	378.1	540.1	377.0
32.8	463.0	318.6	460.8	316.4	458.6	314.2	458.6	313.1	456.4	312.0
39.4	346.1	235.9	343.9	233.7	341.7	231.5	339.5	229.3	339.5	228.2
45.9	274.5	186.3	272.3	184.1	270.1	181.9	267.9	179.7	266.8	178.6
52.5	226.0	152.6	223.8	150.1	221.6	148.2	220.0	145.7	218.9	144.6
59.1	192.2	128.5	189.8	126.1	187.6	123.9	185.4	121.5	184.1	120.2
65.6	166.4	110.5	163.8	107.8	161.6	105.6	159.2	103.2	157.9	101.9
72.2	146.4	96.6	143.5	93.7	141.3	91.5	138.7	88.8	137.3	87.5
78.7	-	-	127.4	82.5	125.0	80.0	122.4	77.4	121.0	76.1
85.3	-	-	114.2	73.4	111.8	70.8	109.1	68.1	107.6	66.6
91.9	-	-	103.4	65.9	100.8	63.3	97.9	60.4	96.3	58.9
98.4	-	-	-	-	91.5	56.9	88.6	54.0	86.9	52.2
111.5	-	-	-	-	-	-	73.9	43.7	72.1	41.4
124.7	-	-	-	-	-	-	62.8	35.9	60.6	33.3
137.8	-	-	-	-	-	-	-	-	52.0	27.1
150.9	-	-	-	-	-	-	-	-	-	-

ft	177.2 ft		196.9 ft		216.5 ft		236.2 ft		255.9 ft	
	308.6 klb + 88.2 klb ZB	220.5 klb	308.6 klb + 88.2 klb ZB	220.5 klb	308.6 klb + 88.2 klb ZB	220.5 klb	308.6 klb + 88.2 klb ZB	220.5 klb	308.6 klb + 88.2 klb ZB	220.5 klb
	1,000 lb									
29.5	520.3	375.9	-	-	-	-	-	-	-	-
32.8	456.4	310.9	433.2	309.7	364.9	306.4	-	-	-	-
36.1	396.8	269.0	384.7	267.9	350.5	266.2	315.3	261.2	-	-
39.4	337.3	227.1	336.2	226.0	336.2	226.0	312.0	224.9	227.1	213.8
45.9	265.7	177.3	264.6	175.9	263.5	175.3	262.4	174.2	222.7	168.4
52.5	217.4	143.1	216.1	141.8	215.4	141.1	214.1	139.8	212.1	136.5
59.1	182.5	118.6	181.0	117.3	180.3	116.6	179.0	115.1	177.0	112.9
65.6	156.1	100.1	154.8	98.8	154.1	98.1	152.6	96.6	150.6	94.6
72.2	135.6	85.8	134.3	84.2	133.4	83.6	132.1	82.2	129.9	80.0
78.7	119.3	74.3	117.7	72.8	116.8	72.1	115.5	70.5	113.3	68.3
85.3	105.8	64.8	104.3	63.3	103.4	62.4	101.9	61.1	99.6	58.4
91.9	94.6	57.1	93.0	55.3	92.2	54.5	90.6	52.7	88.2	50.0
98.4	85.1	50.3	83.6	48.5	82.7	47.4	81.1	45.4	78.7	42.8
111.5	69.9	39.2	68.3	37.0	67.2	35.9	65.7	34.2	63.3	31.3
124.7	58.4	30.6	56.7	28.7	55.8	27.3	53.8	25.4	50.7	22.5
137.8	49.6	24.3	47.2	22.0	46.1	20.7	43.9	18.7	41.0	15.7
150.9	42.1	19.2	39.7	16.8	38.1	15.2	36.2	13.2	32.8	10.1
164.0	-	-	33.5	12.6	32.0	11.0	29.8	8.8	26.5	-
177.2	-	-	28.4	9.3	26.7	7.5	24.5	-	20.9	-
190.3	-	-	-	-	22.5	-	19.8	-	16.3	-
203.4	-	-	-	-	-	-	16.3	-	12.3	-
216.5	-	-	-	-	-	-	-	-	9.0	-
229.7	-	-	-	-	-	-	-	-	-	-

SH/LH

23'9"

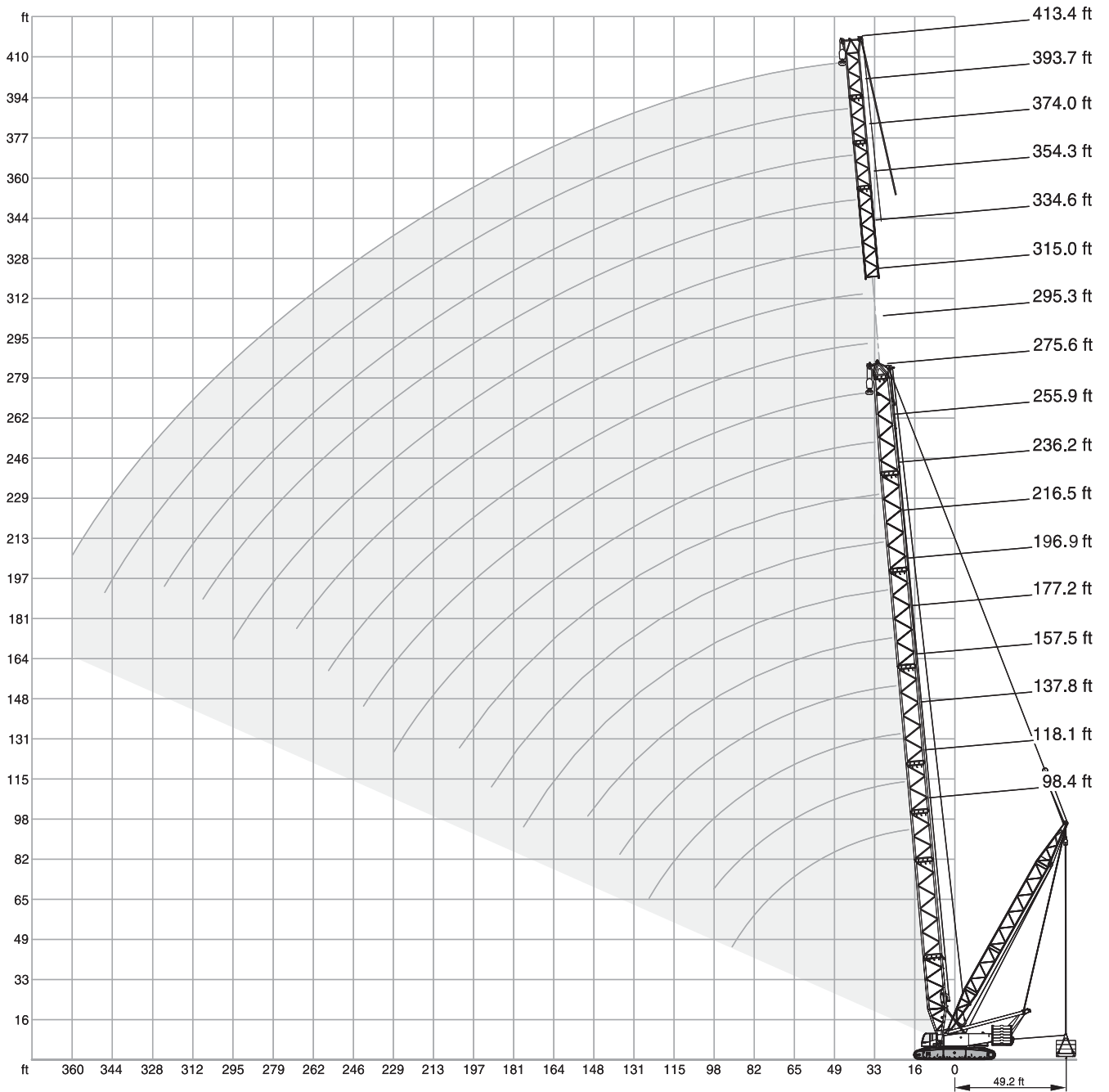
360°

ISO

ft	137.8 ft		157.5 ft		177.2 ft		196.9 ft		216.5		236.2 ft	
	308.6 klb + 88.2 klb ZB	220.5 klb	308.6 klb + 88.2 klb ZB	220.5 klb	308.6 klb + 88.2 klb ZB	220.5 klb	308.6 klb + 88.2 klb ZB	220.5 klb	308.6 klb + 88.2 klb ZB	220.5 klb	308.6 klb + 88.2 klb ZB	220.5 klb
	1,000 lb											
23.0	418.9	418.9	-	-	-	-	-	-	-	-	-	-
26.2	418.9	418.9	418.9	418.9	-	-	-	-	-	-	-	-
29.5	418.9	385.8	418.9	384.7	418.9	383.6	406.8	380.3	-	-	-	-
32.8	418.9	320.8	418.9	319.7	405.7	318.6	385.8	316.4	346.1	313.1	-	-
36.1	399.0	273.4	397.9	272.3	386.9	271.2	364.9	269.0	334.0	267.9	307.5	263.5
39.4	348.3	238.1	347.2	235.9	345.0	234.8	343.9	233.7	323.0	231.5	300.9	230.4
45.9	276.7	187.8	274.5	186.3	273.4	184.5	271.2	183.0	270.1	181.4	269.0	180.1
52.5	228.2	153.9	226.0	152.1	223.8	150.4	222.7	148.8	221.6	147.3	220.0	145.7
59.1	193.3	129.4	191.6	127.6	189.6	125.9	188.1	124.3	186.5	122.6	185.0	121.0
65.6	167.1	111.1	165.1	109.1	163.4	107.4	161.8	105.8	160.1	104.1	158.5	102.5
72.2	146.6	96.8	144.6	94.8	142.9	92.8	141.1	91.3	139.3	89.5	137.8	88.0
78.7	130.3	85.3	128.3	83.3	126.3	81.4	124.6	79.8	122.8	77.8	121.3	76.3
85.3	116.8	76.1	114.9	73.9	112.9	71.9	111.1	70.3	109.3	68.3	107.8	66.8
91.9	105.8	68.1	103.6	66.1	101.6	63.9	99.9	62.4	97.9	60.4	96.3	58.9
98.4	96.3	61.7	94.1	59.5	92.2	57.3	90.4	55.8	88.4	53.8	86.9	52.2
111.5	81.4	51.1	79.1	48.9	76.9	46.7	75.2	45.0	73.2	42.8	71.4	40.8
124.7	70.1	43.4	67.7	41.0	65.3	38.8	63.5	36.6	61.5	34.2	59.7	32.2
137.8	-	-	58.9	35.1	56.4	32.2	54.5	29.8	52.2	27.3	50.5	25.4
150.9	-	-	-	-	49.2	26.9	47.2	24.5	45.0	22.0	42.8	19.8
164.0	-	-	-	-	-	-	41.2	20.3	38.6	17.6	36.4	15.4
177.2	-	-	-	-	-	-	36.2	17.0	33.3	14.1	31.1	11.9
190.3	-	-	-	-	-	-	-	-	29.1	11.2	26.7	8.8
203.4	-	-	-	-	-	-	-	-	-	-	22.9	6.4

ft	255.9 ft		275.6 ft		295.3 ft		315.0 ft		334.6 ft		354.3 ft	
	308.6 klb + 88.2 klb ZB	220.5 klb	308.6 klb + 88.2 klb ZB	220.5 klb	308.6 klb + 88.2 klb ZB	220.5 klb	308.6 klb + 88.2 klb ZB	220.5 klb	308.6 klb + 88.2 klb ZB	220.5 klb	308.6 klb + 88.2 klb ZB	220.5 klb
	1,000 lb											
36.1	257.9	257.9	-	-	-	-	-	-	-	-	-	-
39.4	252.4	227.1	213.2	213.2	-	-	-	-	-	-	-	-
42.7	246.9	201.7	208.8	196.0	183.4	183.4	160.3	160.3	-	-	-	-
45.9	241.4	180.1	204.6	175.7	181.0	170.2	158.1	158.1	140.0	140.0	-	-
49.2	235.9	161.4	200.2	158.5	178.4	153.4	155.6	149.5	138.2	138.2	117.7	117.7
52.5	220.0	145.7	195.8	143.7	175.7	139.1	153.4	135.4	136.2	130.3	116.2	116.2
59.1	184.7	121.0	183.6	119.7	170.6	116.2	149.0	112.9	132.7	108.0	112.9	104.5
65.6	158.3	102.3	157.0	101.0	155.6	98.3	144.4	95.5	129.0	91.1	109.6	87.7
72.2	137.6	87.7	136.5	86.4	134.9	84.2	134.5	81.6	125.4	77.4	106.3	74.5
78.7	121.0	76.1	119.7	74.7	118.4	72.8	117.9	70.3	116.0	66.4	103.0	63.7
85.3	107.6	66.6	106.3	65.3	104.7	63.3	104.3	61.1	102.3	57.1	98.8	54.7
91.9	96.1	58.6	94.8	57.3	93.3	55.3	92.8	53.1	90.8	49.4	89.7	47.0
98.4	86.6	51.8	85.1	50.3	83.6	48.5	83.1	46.5	81.1	42.8	80.2	40.6
111.5	71.2	40.6	69.9	38.8	68.1	37.0	67.7	35.7	65.7	32.2	64.8	30.0
124.7	59.5	31.7	58.0	30.0	56.4	28.2	55.8	27.3	53.6	24.0	52.5	21.8
137.8	50.3	24.9	48.5	23.1	46.5	21.2	45.9	20.5	43.7	17.4	42.5	15.4
150.9	42.3	19.4	40.6	17.6	38.6	15.7	37.9	15.0	35.5	12.1	34.6	10.4
164.0	35.7	14.8	34.0	13.0	32.0	11.0	31.3	10.4	28.9	7.7	28.0	6.0
177.2	30.4	11.0	28.4	9.3	26.5	7.3	25.8	6.4	23.4	-	22.3	-
190.3	25.8	7.9	23.8	6.0	21.8	-	20.9	-	18.7	-	17.6	-
203.4	22.0	-	20.1	-	17.9	-	17.0	-	14.6	-	13.4	-
216.5	18.7	-	16.5	-	14.6	-	13.7	-	11.2	-	9.9	-
229.7	-	-	13.7	-	11.5	-	10.6	-	8.2	-	7.1	-
242.8	-	-	11.2	-	9.0	-	7.9	-	-	-	-	-
255.9	-	-	-	-	6.6	-	5.7	-	-	-	-	-

SSL, SSL/LSL



SSL

308,600 lb + 88,200 lb ZB 23'9" 360° ISO

ft	98.4 ft		118.1 ft		137.8 ft		157.5 ft		177.2 ft	
	0 lb	0-441 klb	0 lb	0-441 klb	0 lb	0-441 klb	0 lb	0-441 klb	0 lb	0-441 klb
	29.5 ft	29.5-49.2 ft	29.5 ft	29.5-49.2 ft	29.5 ft	29.5-49.2 ft	29.5 ft	29.5-49.2 ft	29.5 ft	29.5-49.2 ft
	1,000 lb									
19.7	661.4	661.4	-	-	-	-	-	-	-	-
23.0	661.4	661.4	661.4	661.4	661.4	661.4	-	-	-	-
26.2	637.1	661.4	634.9	661.4	630.5	661.4	630.5	634.9	544.5	544.5
29.5	557.8	661.4	555.6	661.4	551.2	661.4	549.0	634.9	544.5	544.5
32.8	485.0	661.4	485.0	661.4	485.0	661.4	482.8	634.9	482.8	544.5
39.4	363.8	650.4	362.7	661.4	360.5	661.4	359.4	634.9	358.3	544.5
45.9	288.8	628.3	286.6	641.5	284.4	661.4	283.3	634.9	282.2	544.5
52.5	238.1	604.1	235.9	604.1	233.7	630.5	232.6	634.9	231.5	544.5
59.1	201.7	573.2	199.7	571.0	197.5	566.6	196.2	564.4	194.7	544.5
65.6	174.4	515.9	172.4	513.7	170.0	509.3	168.7	507.1	167.1	504.9
72.2	153.0	465.2	151.0	463.0	148.4	458.6	147.0	456.4	145.5	454.2
78.7	136.0	421.1	133.8	420.0	131.2	417.8	129.9	415.6	128.1	413.4
85.3	122.1	367.1	119.9	382.5	117.1	381.4	115.7	378.1	114.0	377.0
91.9	110.7	325.2	108.2	351.6	105.6	349.4	104.1	349.4	102.1	345.0
98.4	-	-	98.5	324.1	95.7	321.9	94.1	321.9	92.2	320.8
105.0	-	-	90.2	300.9	87.3	298.7	85.5	297.6	83.6	296.5
111.5	-	-	-	-	80.0	278.9	78.3	277.8	76.3	276.7
124.7	-	-	-	-	68.3	244.7	66.4	243.6	64.2	242.5
137.8	-	-	-	-	-	-	57.1	216.7	54.9	215.2
144.4	-	-	-	-	-	-	53.4	205.3	50.9	203.5
150.9	-	-	-	-	-	-	-	-	47.4	192.9
157.5	-	-	-	-	-	-	-	-	44.1	183.2
164.0	-	-	-	-	-	-	-	-	-	-

ft	196.9 ft		216.5 ft		236.2 ft		275.6 ft	
	0 lb	0-441 klb	0 lb	0-441 klb	0 lb	0-441 klb	0 lb	0-441 klb
	29.5 ft	29.5-49.2 ft	29.5 ft	29.5-49.2 ft	29.5 ft	29.5-49.2 ft	29.5 ft	29.5-49.2 ft
	1,000 lb							
29.5	485.0	485.0	426.6	438.7	-	-	-	-
32.8	480.6	485.0	426.6	438.7	371.5	386.9	-	-
36.1	411.2	485.0	410.1	438.7	371.5	385.8	270.1	284.4
39.4	357.1	485.0	356.0	438.7	354.9	385.8	270.1	284.4
45.9	281.1	485.0	280.0	438.7	278.9	385.8	269.0	283.3
52.5	229.3	485.0	229.3	438.7	228.2	385.8	226.0	282.2
59.1	193.3	485.0	192.7	438.7	191.4	382.5	189.2	281.1
65.6	165.6	485.0	164.9	438.7	163.4	378.1	161.4	277.8
72.2	144.0	451.9	143.3	425.5	141.8	374.8	139.6	275.6
78.7	126.5	411.2	125.9	407.9	124.3	364.9	122.1	272.3
85.3	112.4	375.9	111.6	374.8	110.0	350.5	107.8	269.0
91.9	100.5	345.0	99.6	343.9	98.1	337.3	95.9	262.4
98.4	90.6	317.5	89.7	317.5	88.2	316.4	85.8	255.7
111.5	74.5	275.6	73.6	273.4	72.1	272.3	69.7	241.4
124.7	62.4	241.4	61.3	240.3	59.7	238.1	56.9	217.6
137.8	52.9	213.8	51.6	213.4	49.6	212.3	46.5	201.7
150.9	44.8	191.4	43.4	190.7	41.2	189.6	38.1	186.1
164.0	38.4	172.8	36.8	172.0	34.6	170.6	31.3	168.9
177.2	33.1	157.2	31.3	156.3	28.9	154.8	25.6	152.8
190.3	-	-	26.7	142.9	24.3	141.3	20.7	138.9
203.4	-	-	-	-	20.3	129.6	16.5	127.0
216.5	-	-	-	-	-	-	13.0	116.8
229.7	-	-	-	-	-	-	9.9	107.6
242.8	-	-	-	-	-	-	7.3	94.6
255.9	-	-	-	-	-	-	-	-

SSL / LSL

308,600 lb + 88,200 lb ZB 23'9" 360° ISO

ft	255.9 ft		275.6 ft		295.3 ft		315.0 ft		334.6 ft	
	0 lb	0-441 klb	0 lb	0-441 klb	0 lb	0-441 klb	0 lb	0-441 klb	0 lb	0-441 klb
	29.5 ft	29.5-49.2 ft	29.5 ft	29.5-49.2 ft	29.5 ft	29.5-49.2 ft	29.5 ft	29.5-49.2 ft	29.5 ft	29.5-49.2 ft
	1,000 lb									
32.8	305.3	329.6	-	-	-	-	-	-	-	-
36.1	305.3	329.6	259.0	281.1	216.9	233.7	-	-	-	-
39.4	305.3	329.6	259.0	281.1	216.9	233.7	177.9	206.4	149.0	174.8
45.9	282.2	327.4	256.8	277.8	215.8	233.7	177.9	205.5	149.0	174.8
52.5	230.4	325.2	230.4	275.6	214.7	233.7	177.9	204.8	149.0	173.9
59.1	194.0	323.0	193.1	273.4	192.5	232.6	177.9	203.9	149.0	173.1
65.6	166.0	318.6	165.1	265.7	164.5	231.5	163.6	203.3	149.0	172.2
72.2	144.2	314.2	143.3	257.9	142.4	228.2	141.5	201.1	141.3	170.9
78.7	126.8	310.9	125.9	250.2	125.0	224.9	124.1	198.9	123.7	168.9
85.3	112.4	299.8	111.6	242.5	110.7	221.6	109.6	196.7	109.3	167.1
91.9	100.5	291.0	99.4	232.6	98.5	218.3	97.7	194.4	97.2	165.6
98.4	90.4	281.1	89.3	222.7	88.4	213.4	87.5	191.6	87.1	164.0
111.5	74.1	262.4	73.2	203.0	72.1	203.9	71.2	185.6	70.8	159.0
124.7	61.7	239.2	60.6	183.4	59.7	194.4	58.6	179.7	58.2	153.7
137.8	51.8	213.6	50.7	163.6	49.4	183.4	48.1	173.5	47.6	148.6
150.9	43.7	190.9	42.3	144.0	41.0	172.0	39.7	167.6	39.2	143.3
164.0	36.8	172.2	35.5	130.1	34.2	165.3	32.8	161.6	32.2	138.2
177.2	31.1	156.3	29.8	118.6	28.4	154.5	27.1	153.7	26.5	129.2
190.3	26.5	142.9	24.9	108.2	23.6	141.1	22.3	140.0	21.4	123.5
203.4	22.5	131.2	20.9	97.9	19.4	129.2	18.1	128.3	17.2	116.0
216.5	19.2	121.3	17.4	87.5	15.9	119.0	14.3	117.9	13.7	110.0
229.7	-	-	14.6	77.2	13.0	110.0	11.2	108.9	10.4	104.1
242.8	-	-	12.1	66.8	10.4	102.1	8.6	101.0	7.7	98.3
255.9	-	-	-	-	8.2	95.0	6.4	93.9	-	92.6
269.0	-	-	-	-	-	-	-	87.5	-	86.9
282.2	-	-	-	-	-	-	-	-	-	81.1
295.3	-	-	-	-	-	-	-	-	-	75.4

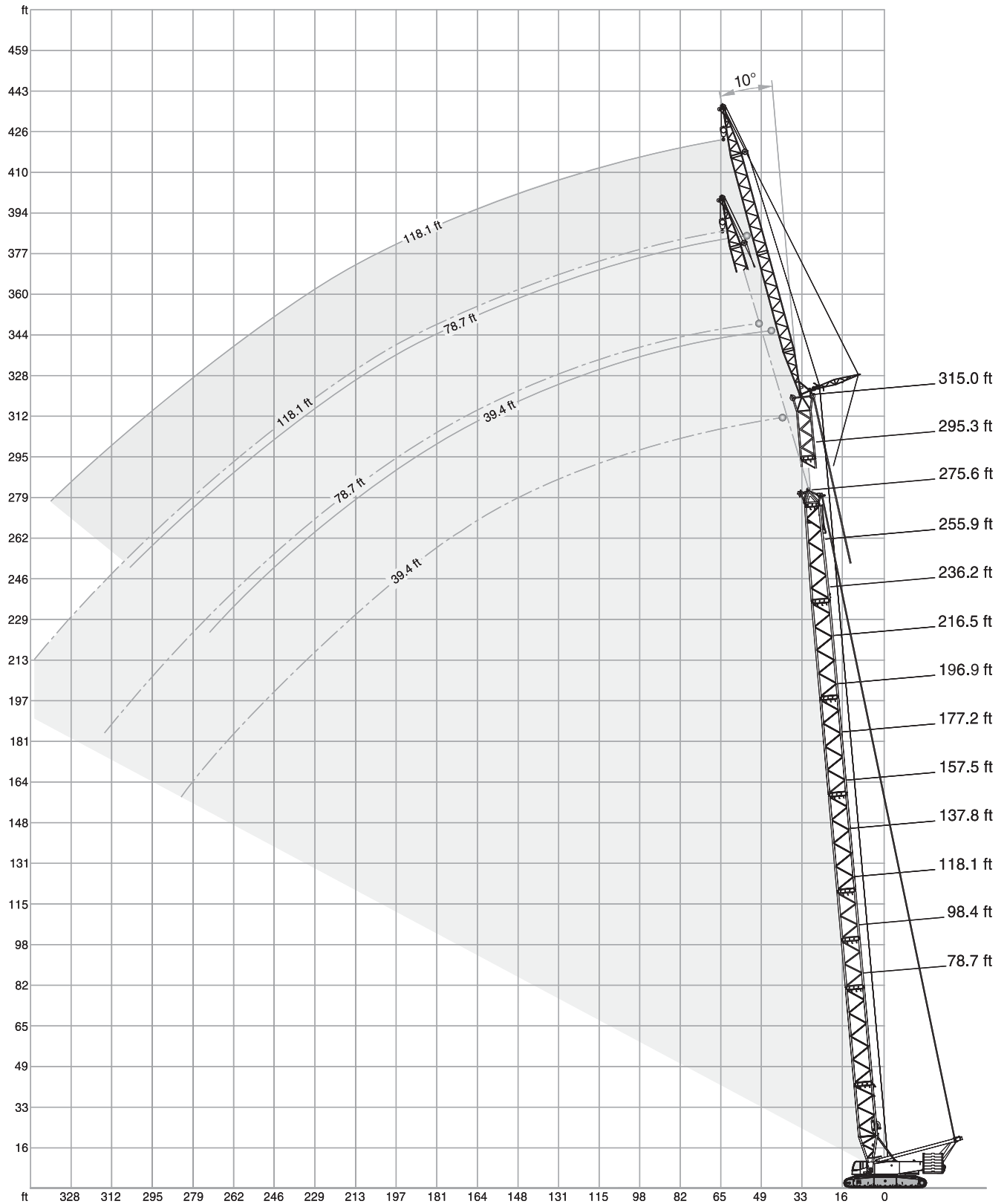
SSL / LSL

308,600 lb + 88,200 lb ZB 23'9" 360° ISO

ft	354.3 ft		374.0 ft		393.7 ft		413.4 ft	
	0 lb	0-441 klb	0 lb	0-441 klb	0 lb	0-441 klb	0 lb	0-441 klb
	29.5 ft	29.5-49.2 ft	29.5 ft	29.5-49.2 ft	29.5 ft	29.5-49.2 ft	29.5 ft	29.5-49.2 ft
	1,000 lb							
42.7	132.9	148.6	112.2	129.4	-	-	-	-
45.9	132.9	148.6	112.2	129.4	94.6	110.7	75.2	93.7
52.5	132.9	148.2	112.2	128.3	94.6	109.3	75.2	93.7
59.1	132.9	147.5	112.2	127.4	94.6	108.7	75.2	92.4
65.6	132.9	146.8	112.2	126.8	94.6	107.8	75.2	91.1
72.2	132.9	146.2	112.2	126.1	94.6	106.9	75.2	89.9
78.7	123.5	144.0	112.2	125.0	94.6	106.3	75.2	89.5
85.3	109.1	141.5	106.7	123.5	94.6	104.9	75.2	89.3
91.9	97.0	138.9	95.0	121.9	92.8	103.4	75.2	88.0
98.4	86.9	136.2	85.1	120.4	83.1	102.1	75.2	86.6
111.5	70.5	131.0	68.8	117.3	67.0	99.0	64.8	84.0
124.7	57.8	125.7	56.2	113.5	54.7	95.9	52.7	81.4
137.8	47.2	120.2	46.3	110.0	44.8	92.8	42.8	78.7
150.9	38.8	114.6	37.7	106.3	36.8	89.5	35.1	76.1
164.0	31.7	109.1	30.9	102.7	30.2	86.4	28.4	73.4
177.2	25.8	103.6	24.9	99.0	24.5	83.1	22.9	70.5
190.3	20.9	98.1	19.8	95.5	19.4	80.0	18.1	67.9
203.4	16.5	93.3	15.7	91.7	15.2	76.7	14.1	65.3
216.5	13.0	89.1	11.9	88.0	11.5	73.6	10.4	62.6
229.7	9.7	84.9	8.6	83.8	8.2	70.8	7.1	60.0
242.8	6.8	80.9	5.7	78.9	-	67.9	-	58.0
255.9	-	78.0	-	75.6	-	65.0	-	56.0
269.0	-	75.2	-	72.5	-	62.4	-	53.8
282.2	-	72.3	-	69.4	-	60.4	-	52.0
295.3	-	69.4	-	66.4	-	58.4	-	50.7
308.4	-	66.6	-	63.3	-	56.4	-	49.4
321.5	-	-	-	60.2	-	54.5	-	48.1
334.6	-	-	-	-	-	52.5	-	46.7
347.8	-	-	-	-	-	50.5	-	45.4
360.9	-	-	-	-	-	-	-	44.1
374.0	-	-	-	-	-	-	-	-

2

SH + LF2, SH/LH + LF2



SH + LF2

308,600 lb + 88,200 lb ZB 39.4 - 118.1 ft 23'9" 360° ISO

ft	78.7 ft						98.4 ft					
	39.4 ft		78.7 ft		118.1 ft		39.4 ft		78.7 ft		118.1 ft	
	10°	15°	10°	30°	10°	30°	10°	15°	10°	30°	10°	30°
	1,000 lb											
26.2	242.5	-	-	-	-	-	242.5	-	-	-	-	-
29.5	242.5	209.4	-	-	-	-	242.5	202.8	-	-	-	-
32.8	242.5	194.0	-	-	-	-	242.5	202.8	-	-	-	-
36.1	224.9	181.9	137.8	-	-	-	242.5	190.7	-	-	-	-
39.4	211.6	170.9	137.8	-	-	-	224.9	179.7	137.8	-	-	-
45.9	184.1	152.1	130.1	-	78.3	-	200.6	162.0	130.1	-	-	-
49.2	176.4	144.4	122.4	-	78.3	-	188.5	154.3	126.8	-	78.3	-
52.5	168.7	138.9	114.6	-	76.1	-	179.7	146.6	122.4	-	76.3	-
59.1	154.3	129.0	102.7	-	71.7	-	167.6	137.8	110.2	-	72.1	-
62.3	146.6	123.5	97.4	52.0	69.7	-	160.9	133.4	104.9	52.9	70.3	-
65.6	138.9	117.9	92.6	50.3	68.3	-	154.3	129.0	100.1	51.1	68.6	-
72.2	123.5	108.0	84.2	47.0	66.4	-	142.2	120.2	91.3	48.1	66.8	-
78.7	114.6	99.4	77.2	44.1	61.5	-	129.0	111.3	84.0	45.4	65.5	-
85.3	108.5	94.8	71.2	41.4	56.7	31.3	114.6	102.7	77.8	43.0	60.4	31.7
91.9	102.3	90.2	66.1	39.2	52.2	29.3	104.1	97.2	72.3	41.0	56.0	30.0
98.4	96.1	85.5	61.7	37.3	48.5	27.6	94.4	93.5	67.7	39.0	52.0	28.2
111.5	81.4	76.3	54.5	34.0	42.3	24.7	78.9	79.4	59.7	35.7	45.6	25.6
124.7	-	-	48.7	31.5	37.5	22.3	67.0	67.5	53.6	33.1	40.6	23.1
131.2	-	-	46.4	30.5	35.5	21.3	-	62.4	51.0	32.1	38.5	22.2
137.8	-	-	44.1	29.5	33.5	20.3	-	-	48.5	31.1	36.4	21.2
144.4	-	-	42.1	-	31.9	19.5	-	-	46.5	30.3	34.6	20.4
150.9	-	-	-	-	30.2	18.7	-	-	44.5	29.5	32.8	19.6
164.0	-	-	-	-	27.6	17.6	-	-	41.2	-	30.2	18.3
177.2	-	-	-	-	25.4	16.5	-	-	-	-	27.8	17.2
190.3	-	-	-	-	-	-	-	-	-	-	25.8	16.5
203.4	-	-	-	-	-	-	-	-	-	-	24.0	-

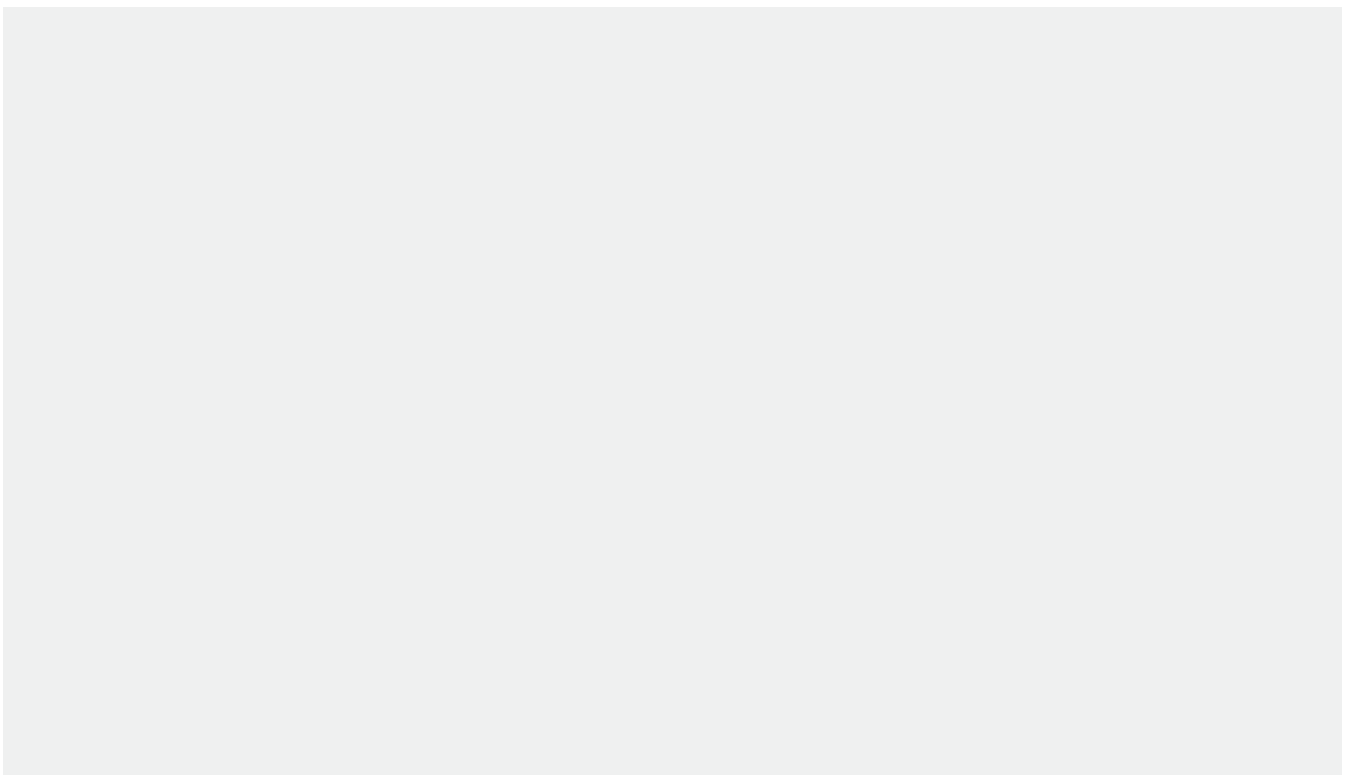
ft	118.1 ft						137.8 ft					
	39.4 ft		78.7 ft		118.1 ft		39.4 ft		78.7 ft		118.1 ft	
	10°	15°	10°	30°	10°	30°	10°	15°	10°	30°	10°	30°
	1,000 lb											
29.5	242.5	-	-	-	-	-	-	-	-	-	-	-
32.8	242.5	208.3	-	-	-	-	242.5	-	-	-	-	-
36.1	242.5	197.3	-	-	-	-	242.5	202.8	-	-	-	-
39.4	238.1	187.4	132.3	-	-	-	242.5	192.9	-	-	-	-
42.7	224.9	178.6	132.3	-	-	-	235.9	184.1	131.2	-	-	-
45.9	213.8	169.8	129.0	-	-	-	222.7	176.4	127.9	-	-	-
49.2	203.9	163.1	126.8	-	76.1	-	213.8	168.7	125.7	-	-	-
52.5	192.9	156.5	124.6	-	76.1	-	205.0	163.1	122.4	-	73.4	-
59.1	176.4	143.3	116.8	-	72.1	-	184.1	151.0	122.4	-	71.7	-
65.6	164.2	135.6	106.7	52.0	69.0	-	163.1	141.1	112.4	52.7	68.6	-
72.2	143.3	127.9	97.9	49.2	66.8	-	142.2	134.5	103.8	50.0	67.0	-
78.7	126.8	121.3	90.2	46.7	65.9	-	124.6	125.7	96.1	47.6	65.9	-
85.3	113.5	113.5	83.8	44.3	63.9	-	111.3	112.4	89.3	45.4	65.3	-
91.9	102.3	103.0	78.0	42.3	59.3	30.4	100.1	100.8	83.6	43.4	62.6	30.6
98.4	92.4	93.0	73.2	40.3	55.3	28.9	90.2	91.1	78.3	41.7	58.6	29.3
111.5	76.9	77.4	64.8	37.3	48.7	26.2	74.7	75.2	69.7	38.6	51.8	26.7
124.7	65.0	65.5	58.2	34.6	43.4	23.8	62.6	63.1	62.8	35.9	46.3	24.5
137.8	55.8	56.0	52.9	32.4	39.0	22.0	53.4	53.6	57.1	33.7	41.7	22.7
144.4	51.8	52.0	50.7	31.5	37.3	21.3	49.6	49.8	53.2	32.8	39.8	21.9
150.9	-	-	48.5	30.6	35.5	20.5	45.9	46.1	49.4	32.0	37.9	21.2
164.0	-	-	44.8	29.3	32.4	19.2	39.2	39.5	43.0	30.4	34.8	19.8
177.2	-	-	39.9	-	30.0	18.1	-	-	37.7	29.1	32.0	18.7
190.3	-	-	-	-	27.8	17.2	-	-	32.8	-	29.8	17.6
203.4	-	-	-	-	26.0	16.3	-	-	-	-	27.8	17.0
216.5	-	-	-	-	24.5	-	-	-	-	-	26.0	16.3
229.7	-	-	-	-	-	-	-	-	-	-	23.8	-

3

SH + LF2

308,600 lb + 88,200 lb ZB 39.4 - 118.1 ft 23'9" 360° ISO

ft	157.5 ft						177.2 ft					
	39.4 ft	78.7 ft	118.1 ft	39.4 ft	78.7 ft	118.1 ft	39.4 ft	78.7 ft	118.1 ft	39.4 ft	78.7 ft	118.1 ft
	10°	15°	10°	30°	10°	30°	10°	15°	10°	30°	10°	30°
	1,000 lb											
32.8	242.5	-	-	-	-	-	-	-	-	-	-	-
36.1	242.5	198.4	-	-	-	-	242.5	-	-	-	-	-
39.4	242.5	198.4	-	-	-	-	242.5	200.6	-	-	-	-
42.7	242.5	189.6	123.5	-	-	-	238.1	194.0	-	-	-	-
45.9	231.5	181.9	123.5	-	-	-	220.5	186.3	119.0	-	-	-
52.5	201.7	168.7	119.0	-	72.5	-	192.9	174.2	117.9	-	-	-
55.8	188.5	163.1	117.9	-	72.5	-	179.7	167.6	115.7	-	69.9	-
59.1	176.4	157.6	117.9	-	71.0	-	168.7	163.1	114.6	-	69.9	-
65.6	156.5	147.7	116.8	-	67.7	-	149.9	152.1	114.6	-	67.2	-
72.2	140.0	138.9	109.3	50.7	66.6	-	134.5	135.6	112.4	51.4	65.3	-
78.7	123.5	124.6	101.4	48.5	65.7	-	120.2	122.4	106.5	49.2	65.0	-
85.3	109.8	110.2	94.6	46.3	65.3	-	107.6	108.7	99.4	47.2	64.6	-
91.9	98.1	99.0	88.6	44.5	64.6	31.1	96.1	97.0	93.3	45.2	64.2	31.3
98.4	88.4	89.3	83.3	42.8	61.5	29.5	86.4	87.3	88.0	43.7	63.7	30.0
111.5	72.8	73.4	74.3	39.7	54.5	27.1	70.5	71.4	75.4	40.6	57.1	27.6
124.7	60.8	61.3	65.0	37.0	48.9	25.1	58.6	59.3	63.1	38.1	51.4	25.6
137.8	51.4	51.8	55.3	34.8	44.3	23.4	48.9	49.6	53.4	35.9	46.5	23.8
150.9	43.7	43.9	47.6	32.8	40.3	21.8	40.8	41.4	45.6	34.0	42.5	22.3
164.0	37.0	37.3	41.2	31.3	37.0	20.5	34.2	34.6	38.8	32.4	39.0	20.9
177.2	31.5	31.7	35.5	30.0	34.2	19.2	28.7	28.9	33.1	30.9	35.7	19.8
190.3	-	-	30.6	29.1	31.7	18.3	24.0	24.3	28.0	29.8	30.9	18.7
203.4	-	-	26.5	-	28.7	17.4	-	-	23.8	25.8	26.5	17.9
216.5	-	-	22.7	-	25.1	16.8	-	-	20.1	-	22.7	17.2
229.7	-	-	-	-	21.8	16.1	-	-	17.0	-	19.4	16.5
242.8	-	-	-	-	19.0	-	-	-	-	-	16.5	16.1
255.9	-	-	-	-	-	-	-	-	-	-	13.9	-
269.0	-	-	-	-	-	-	-	-	-	-	11.7	-



SH + LF2

308,600 lb + 88,200 lb ZB
 39.4 - 118.1 ft
 23'9"
 360°
 ISO

ft	196.9 ft						216.5 ft					
	39.4 ft	78.7 ft	118.1 ft	39.4 ft	78.7 ft	118.1 ft	39.4 ft	78.7 ft	118.1 ft	39.4 ft	78.7 ft	118.1 ft
	10°	15°	10°	30°	10°	30°	10°	15°	10°	30°	10°	30°
	1,000 lb											
36.1	242.5	-	-	-	-	-	-	-	-	-	-	-
39.4	242.5	196.2	-	-	-	-	209.4	-	-	-	-	-
42.7	227.1	196.2	-	-	-	-	209.4	189.6	-	-	-	-
45.9	211.6	189.6	115.7	-	-	-	202.8	189.6	-	-	-	-
49.2	197.3	184.1	115.7	-	-	-	189.6	185.2	109.6	-	-	-
52.5	184.1	177.5	114.6	-	-	-	176.4	178.6	109.6	-	-	-
55.8	172.0	172.0	113.5	-	67.2	-	165.3	167.6	108.7	-	-	-
59.1	162.0	163.1	112.4	-	67.2	-	155.4	157.6	108.0	-	65.0	-
65.6	143.3	145.5	111.3	-	66.4	-	137.8	140.0	107.1	-	64.2	-
72.2	127.9	130.1	111.3	51.8	64.2	-	123.5	124.6	107.1	52.2	62.6	-
78.7	115.7	116.8	108.5	49.6	63.7	-	110.2	112.4	106.5	50.3	61.7	-
85.3	104.5	105.8	104.1	47.8	63.7	-	100.3	101.6	101.2	48.3	61.7	-
91.9	94.1	95.2	95.9	46.1	63.3	-	91.1	92.4	92.2	46.5	61.5	-
98.4	84.2	85.1	88.0	44.3	63.1	30.2	82.9	83.8	84.4	45.0	61.3	30.4
111.5	68.6	69.2	73.4	41.4	59.7	28.0	67.0	67.9	71.2	42.1	60.8	28.2
124.7	56.4	57.1	61.1	39.0	53.8	26.0	54.9	55.8	59.7	39.7	56.0	26.2
137.8	46.5	47.2	51.4	36.8	48.9	24.3	44.8	45.4	50.0	37.7	51.1	24.7
150.9	38.4	38.8	43.2	34.8	44.8	22.7	36.6	37.0	41.7	35.7	45.0	23.1
164.0	31.5	32.0	36.4	33.3	39.5	21.4	29.8	30.2	34.6	34.0	37.9	21.8
177.2	26.0	26.2	30.4	31.7	33.5	20.3	24.0	24.5	28.9	32.4	32.0	20.7
190.3	21.2	21.6	25.6	28.4	28.4	19.2	19.4	19.8	23.8	27.1	26.9	19.6
203.4	17.2	17.4	21.4	23.8	24.0	18.3	15.2	15.7	19.6	22.3	22.5	18.7
216.5	-	13.9	17.6	19.6	20.3	17.6	11.9	12.1	15.9	18.3	18.7	18.1
229.7	-	-	14.3	-	17.0	17.0	8.8	9.0	12.6	14.6	15.2	17.4
242.8	-	-	11.7	-	14.1	16.3	-	-	9.7	-	12.3	15.4
255.9	-	-	-	-	11.5	13.9	-	-	7.3	-	9.7	12.6
269.0	-	-	-	-	9.3	-	-	-	5.1	-	7.5	9.7
282.2	-	-	-	-	7.1	-	-	-	-	-	5.3	-
295.3	-	-	-	-	-	-	-	-	-	-	-	-

SH + LF2


308,600 lb + 88,200 lb ZB

39.4 - 118.1 ft

23'9"

360°

ISO

ft	236.2 ft						255.9 ft					
	39.4 ft		78.7 ft		118.1 ft		39.4 ft		78.7 ft		118.1 ft	
	10°	15°	10°	30°	10°	30°	10°	15°	10°	30°	10°	30°
	1,000 lb											
39.4	177.5	-	-	-	-	-	-	-	-	-	-	-
42.7	177.5	164.2	-	-	-	-	156.5	-	-	-	-	-
45.9	177.5	164.2	-	-	-	-	156.5	146.6	-	-	-	-
49.2	175.3	164.2	103.8	-	-	-	154.3	146.6	-	-	-	-
52.5	168.7	162.0	103.8	-	-	-	152.1	144.4	95.0	-	-	-
59.1	148.8	151.0	103.4	-	60.0	-	142.2	142.2	94.6	-	-	-
62.3	140.0	142.2	103.0	-	60.0	-	134.5	136.7	94.1	-	56.7	-
65.6	132.3	133.4	102.5	-	60.0	-	126.8	129.0	93.9	-	56.7	-
72.2	117.9	119.0	102.3	-	58.9	-	112.4	114.6	93.3	-	56.2	-
78.7	106.0	107.6	102.3	50.5	57.5	-	101.6	103.2	93.3	50.9	55.3	-
85.3	95.5	97.0	96.6	48.7	57.3	-	91.5	93.0	92.8	49.2	54.7	-
91.9	86.4	87.7	88.0	47.2	57.3	-	82.7	84.2	84.4	47.6	54.7	-
98.4	78.5	79.8	80.2	45.6	57.1	30.6	75.0	76.3	76.9	46.1	54.7	30.6
111.5	65.0	65.9	67.2	42.8	56.7	28.4	61.9	63.1	64.2	43.4	54.5	28.7
124.7	52.5	53.4	56.9	40.6	56.2	26.7	50.7	51.6	54.0	41.0	54.2	26.9
137.8	42.1	43.0	47.8	38.4	49.6	24.9	40.3	41.2	45.4	39.0	47.2	25.4
150.9	34.0	34.6	39.2	36.4	42.5	23.6	32.2	32.8	37.7	37.3	40.1	23.8
164.0	27.1	27.8	32.4	34.8	35.7	22.3	25.4	26.0	30.6	35.5	34.0	22.7
177.2	21.6	22.0	26.5	30.6	29.8	21.2	19.6	20.3	24.7	29.1	28.0	21.6
190.3	16.8	17.2	21.4	25.1	24.7	20.1	14.8	15.4	19.8	23.6	22.9	20.5
203.4	12.6	13.0	17.2	20.3	20.3	19.2	10.8	11.2	15.4	19.0	18.5	19.6
216.5	9.0	9.5	13.4	16.1	16.3	18.5	7.3	7.5	11.7	14.8	14.8	18.7
229.7	6.0	6.4	10.1	12.6	13.0	17.0	-	4.4	8.4	11.0	11.2	15.7
242.8	-	-	7.3	9.3	10.1	13.7	-	-	5.5	7.9	8.4	12.3
255.9	-	-	4.9	-	7.5	10.6	-	-	-	5.1	5.7	9.3
269.0	-	-	-	-	5.1	7.9	-	-	-	-	-	6.4
282.2	-	-	-	-	-	5.3	-	-	-	-	-	-

ft	275.6 ft					
	39.4 ft		78.7 ft		118.1 ft	
	10°	15°	10°	30°	10°	30°
	1,000 lb					
42.7	135.6	-	-	-	-	-
45.9	135.6	126.8	-	-	-	-
52.5	134.5	126.8	88.8	-	-	-
59.1	130.1	124.6	88.8	-	-	-
62.3	127.9	122.4	88.6	-	53.8	-
65.6	121.3	121.3	88.4	-	53.8	-
72.2	108.0	110.0	88.0	-	53.8	-
78.7	96.8	98.5	86.9	51.1	53.1	-
85.3	87.1	88.6	85.3	49.6	52.5	-
91.9	78.5	79.8	80.2	48.1	52.5	-
98.4	70.8	72.1	73.0	46.5	52.5	-
105.0	64.5	65.7	66.8	45.3	52.4	29.8
111.5	58.2	59.3	60.6	44.1	52.2	28.9
124.7	47.8	48.9	50.5	41.7	51.8	27.1
137.8	37.9	39.0	42.1	39.7	43.9	25.6
150.9	29.8	30.6	35.1	37.7	37.0	24.3
164.0	22.9	23.6	28.4	33.7	31.1	22.9
177.2	17.2	17.9	22.5	27.3	26.0	21.8
190.3	12.3	13.0	17.4	21.6	20.7	20.7
203.4	8.2	8.6	13.0	17.0	16.3	19.8
216.5	4.6	5.1	9.3	12.8	12.6	17.9
229.7	-	-	6.0	9.0	9.0	13.9
242.8	-	-	-	5.7	6.2	10.4
255.9	-	-	-	-	-	7.3
269.0	-	-	-	-	-	4.6

SH / LH + LF2

308,600 lb + 88,200 lb ZB 39.4 - 118.1 ft 23'9" 360° ISO

ft	137.8 ft						157.5 ft					
	39.4 ft		78.7 ft		118.1 ft		39.4 ft		78.7 ft		118.1 ft	
	10°	15°	10°	30°	10°	30°	10°	15°	10°	30°	10°	30°
	1,000 lb											
32.8	233.7	-	-	-	-	-	219.4	-	-	-	-	-
36.1	229.3	205.0	-	-	-	-	219.4	196.2	-	-	-	-
39.4	222.7	197.3	-	-	-	-	215.0	196.2	-	-	-	-
42.7	218.3	188.5	121.3	-	-	-	210.5	192.9	119.0	-	-	-
45.9	215.0	180.8	121.3	-	-	-	206.1	186.3	119.0	-	-	-
52.5	209.4	166.4	116.8	-	71.7	-	201.7	173.1	115.7	-	69.2	-
59.1	189.6	154.3	113.5	-	70.1	-	181.9	160.9	113.5	-	69.2	-
65.6	166.4	144.4	105.2	43.4	67.0	-	162.0	151.0	109.6	-	66.1	-
72.2	145.5	135.6	97.2	41.4	65.7	-	144.4	142.2	101.6	41.7	64.6	-
78.7	129.0	127.9	90.4	39.7	64.8	-	126.8	127.9	94.8	39.9	64.2	-
85.3	115.7	115.7	84.4	37.9	63.1	-	113.5	114.6	88.6	38.4	63.9	-
91.9	104.3	104.9	79.1	36.4	59.1	25.1	102.5	103.2	83.3	37.0	61.5	25.1
98.4	94.6	95.2	74.5	35.1	55.3	24.0	92.6	93.3	78.7	35.7	57.8	24.3
111.5	79.1	79.6	66.6	32.6	49.2	22.0	77.2	77.6	70.5	33.3	51.6	22.3
124.7	67.2	67.5	60.2	30.6	44.1	20.3	65.0	65.5	63.9	31.5	46.3	20.7
137.8	57.8	58.2	54.9	29.1	39.9	19.0	55.8	56.0	58.4	29.8	42.1	19.2
150.9	50.3	50.5	50.7	27.6	36.4	17.6	48.1	48.5	51.1	28.4	38.6	18.1
157.5	47.2	47.2	48.7	27.1	34.8	17.2	45.0	45.2	47.6	27.8	36.8	17.6
164.0	44.1	-	46.5	26.7	33.5	16.8	41.9	42.1	44.8	27.1	35.5	17.0
177.2	-	-	41.2	-	30.9	15.9	36.6	36.8	39.2	26.2	32.8	16.1
190.3	-	-	36.8	-	28.9	15.0	-	-	34.6	-	30.6	15.4
203.4	-	-	-	-	26.9	14.6	-	-	30.6	-	28.7	14.8
216.5	-	-	-	-	25.4	-	-	-	26.9	-	26.9	14.3
229.7	-	-	-	-	24.0	-	-	-	-	-	25.4	-
242.8	-	-	-	-	-	-	-	-	-	-	22.5	-
255.9	-	-	-	-	-	-	-	-	-	-	19.8	-

ft	177.2 ft						196.9 ft					
	39.4 ft		78.7 ft		118.1 ft		39.4 ft		78.7 ft		118.1 ft	
	10°	15°	10°	30°	10°	30°	10°	15°	10°	30°	10°	30°
	1,000 lb											
36.1	205.0	-	-	-	-	-	194.0	-	-	-	-	-
39.4	205.0	184.1	-	-	-	-	194.0	174.2	-	-	-	-
45.9	198.4	180.8	114.6	-	-	-	187.4	170.9	109.8	-	-	-
52.5	191.8	176.4	112.4	-	-	-	181.9	166.4	109.8	-	-	-
55.8	185.2	172.0	111.3	-	67.9	-	178.6	164.2	108.9	-	-	-
59.1	174.2	166.4	110.2	-	67.9	-	167.6	162.0	108.0	-	65.3	-
65.6	155.4	156.5	110.2	-	65.5	-	149.9	151.0	106.9	-	64.4	-
72.2	140.0	141.1	105.8	41.9	63.3	-	134.5	135.6	106.9	42.1	62.6	-
78.7	125.7	126.8	98.8	40.3	63.3	-	121.3	122.4	102.5	40.6	61.7	-
85.3	111.3	112.4	92.8	38.8	63.1	-	110.2	111.3	96.6	39.2	61.7	-
91.9	100.5	101.2	87.3	37.5	62.8	25.1	98.8	99.6	91.1	37.9	61.7	-
98.4	90.6	91.5	82.5	36.2	60.0	24.3	89.1	89.7	86.2	36.6	61.5	24.3
111.5	75.0	75.6	74.3	34.0	53.8	22.5	73.2	73.9	77.2	34.4	55.8	22.5
124.7	63.1	63.5	66.6	32.0	48.5	20.9	61.3	61.9	65.0	32.6	50.5	21.2
137.8	53.6	54.0	57.1	30.4	44.1	19.6	51.8	52.2	55.3	31.1	46.1	19.8
150.9	46.1	46.3	49.2	29.1	40.3	18.5	44.1	44.5	47.6	29.5	42.3	18.7
164.0	39.5	39.9	42.8	27.8	37.3	17.4	37.3	37.7	41.0	28.4	39.0	17.6
177.2	34.0	34.2	37.3	26.9	34.6	16.5	31.7	32.2	35.3	27.3	36.4	16.8
190.3	29.3	29.5	32.4	26.0	32.2	15.7	27.1	27.3	30.4	26.5	32.4	16.1
203.4	-	-	28.2	-	30.0	15.0	22.9	23.1	26.2	25.8	28.2	15.4
216.5	-	-	24.7	-	26.2	14.6	19.6	-	22.5	-	24.5	14.8
229.7	-	-	21.4	-	23.1	14.1	-	-	19.4	-	21.2	14.3
242.8	-	-	-	-	20.3	-	-	-	16.5	-	18.3	13.9
255.9	-	-	-	-	17.6	-	-	-	-	-	15.7	-
269.0	-	-	-	-	15.4	-	-	-	-	-	13.4	-
282.2	-	-	-	-	-	-	-	-	-	-	11.2	-

SH / LH + LF2


308,600 lb + 88,200 lb ZB

39.4 - 118.1 ft

23'9"
360°


ft	216.5 ft						236.2 ft					
	39.4 ft		78.7 ft		118.1 ft		39.4 ft		78.7 ft		118.1 ft	
	10°	15°	10°	30°	10°	30°	10°	15°	10°	30°	10°	30°
	1,000 lb											
39.4	179.7	-	-	-	-	-	157.6	-	-	-	-	-
42.7	179.7	163.1	-	-	-	-	157.6	144.4	-	-	-	-
45.9	176.4	163.1	-	-	-	-	157.6	144.4	-	-	-	-
49.2	174.2	160.9	105.2	-	-	-	155.4	144.4	99.4	-	-	-
52.5	172.0	158.7	105.2	-	-	-	153.2	142.2	99.4	-	-	-
59.1	160.9	155.4	104.1	-	60.4	-	148.8	138.9	98.8	-	-	-
62.3	152.1	153.2	103.4	-	60.4	-	145.5	136.7	97.9	-	58.4	-
65.6	143.3	145.5	103.0	-	60.4	-	137.8	135.6	97.0	-	58.4	-
72.2	129.0	130.1	102.7	-	58.9	-	123.5	124.6	95.0	-	57.3	-
78.7	116.8	117.9	102.7	40.8	57.5	-	111.3	112.4	92.8	40.8	56.2	-
85.3	106.3	107.4	99.9	39.5	57.5	-	101.6	103.0	90.6	39.7	55.8	-
91.9	96.8	97.9	94.6	38.1	57.5	-	92.6	93.7	88.6	38.4	55.8	-
98.4	87.1	88.0	89.1	37.0	57.5	24.3	84.7	85.8	85.3	37.3	55.8	24.3
111.5	71.2	72.1	75.4	34.8	57.1	22.7	69.4	70.3	72.5	35.3	55.6	22.7
124.7	59.3	60.0	63.3	33.1	52.5	21.2	57.5	58.2	61.5	33.5	54.2	21.4
137.8	49.8	50.3	53.6	31.5	47.8	20.1	47.6	48.3	51.8	32.0	49.6	20.3
150.9	41.7	42.1	45.6	30.2	44.1	19.0	39.5	39.9	43.9	30.6	45.9	19.2
164.0	34.8	35.3	38.8	28.9	40.8	17.9	32.6	33.1	36.8	29.3	39.5	18.1
177.2	29.3	29.5	33.1	27.8	35.5	17.0	26.9	27.3	31.1	28.2	33.5	17.2
190.3	24.5	24.9	28.2	26.9	30.4	16.3	22.3	22.7	26.0	27.3	28.4	16.5
203.4	20.5	20.7	23.8	26.2	26.0	15.7	18.1	18.5	21.8	24.5	24.0	15.9
216.5	17.0	17.2	20.3	22.3	22.3	15.0	14.6	15.0	18.1	20.5	20.3	15.2
229.7	13.9	14.1	17.0	-	19.0	14.6	11.7	11.9	14.8	17.0	17.0	14.8
242.8	-	-	14.1	-	16.1	14.1	9.0	9.0	12.1	-	14.1	14.3
255.9	-	-	11.7	-	13.4	13.9	-	-	9.5	-	11.5	13.9
269.0	-	-	9.5	-	11.2	-	-	-	7.3	-	9.3	11.7
282.2	-	-	-	-	9.0	-	-	-	5.3	-	7.1	-
295.3	-	-	-	-	7.3	-	-	-	-	-	5.3	-
308.4	-	-	-	-	-	-	-	-	-	-	-	-

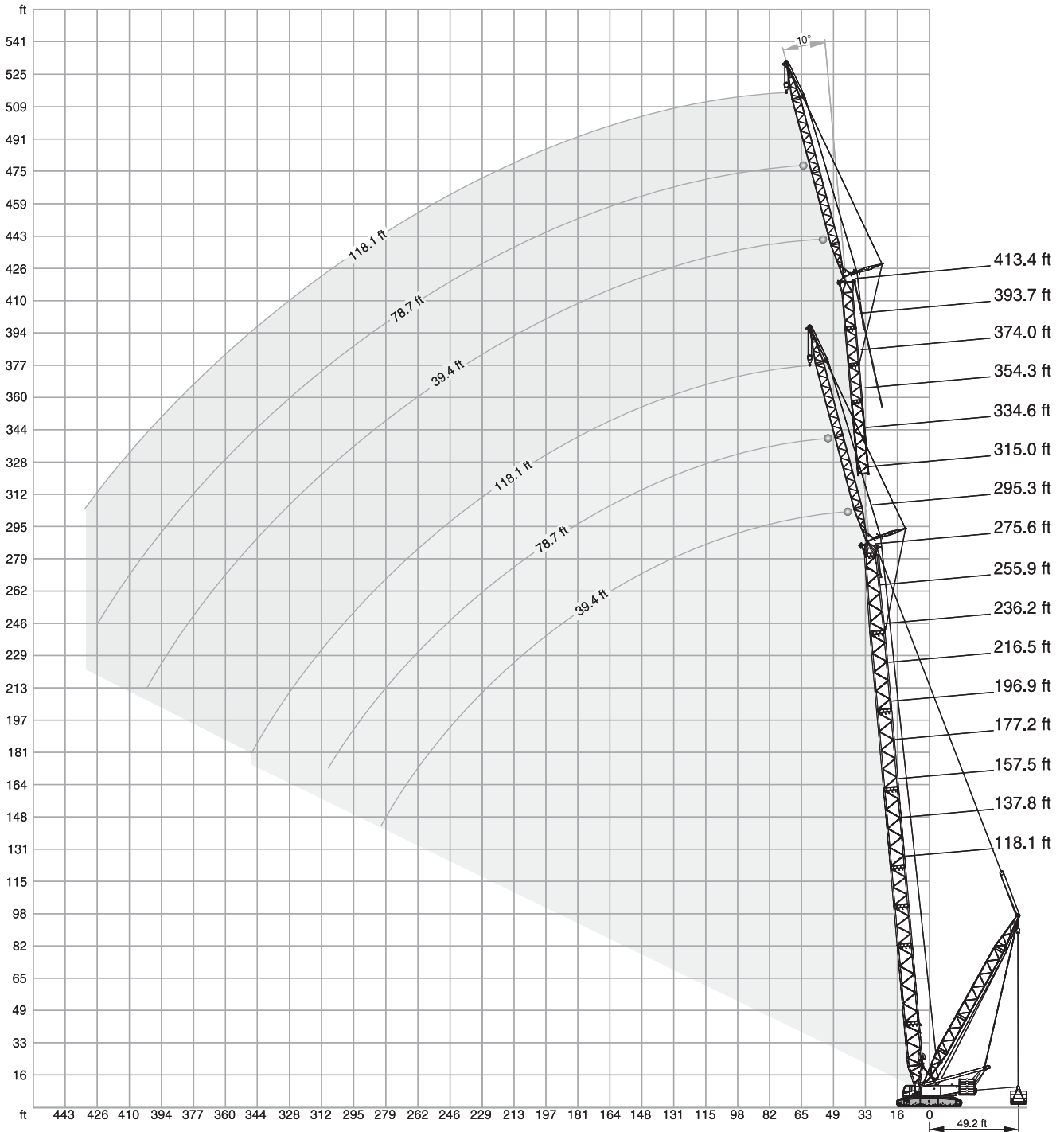
SH / LH + LF2

308,600 lb + 88,200 lb ZB
 39.4 - 118.1 ft
 23'9"
 360°
 ISO

ft	255.9 ft						275.6 ft					
	39.4 ft		78.7 ft		118.1 ft		39.4 ft		78.7 ft		118.1 ft	
	10°	15°	10°	30°	10°	30°	10°	15°	10°	30°	10°	30°
	1,000 lb											
42.7	133.4	-	-	-	-	-	120.2	-	-	-	-	-
45.9	133.4	122.4	-	-	-	-	120.2	111.3	-	-	-	-
52.5	130.1	120.2	86.2	-	-	-	117.9	111.3	-	-	-	-
55.8	127.9	119.0	86.2	-	-	-	115.7	110.2	79.4	-	-	-
59.1	126.8	117.9	86.2	-	-	-	114.6	109.1	79.4	-	-	-
62.3	124.6	115.7	85.1	-	53.8	-	112.4	107.6	79.4	-	-	-
65.6	124.6	115.7	84.0	-	53.8	-	111.3	106.3	78.3	-	51.1	-
72.2	119.0	113.5	81.8	-	53.4	-	110.0	104.5	76.5	-	51.1	-
78.7	108.2	109.6	80.7	41.0	52.5	-	103.8	103.0	74.7	41.0	50.3	-
85.3	98.3	99.4	79.4	39.7	51.6	-	94.1	95.5	73.6	39.9	49.6	-
91.9	89.5	90.6	78.0	38.6	51.6	-	85.5	86.9	72.5	38.8	49.4	-
98.4	81.8	82.9	76.9	37.5	51.6	24.3	78.0	79.1	71.4	37.7	49.4	-
105.0	75.0	75.8	75.6	36.6	51.4	23.6	71.4	72.3	70.1	36.8	49.4	23.6
124.7	56.4	57.1	59.7	34.0	50.9	21.6	54.5	55.3	56.7	34.2	47.8	21.6
137.8	46.3	47.0	50.9	32.4	50.0	20.3	44.1	45.0	48.3	32.6	46.7	20.5
150.9	37.9	38.6	42.5	31.1	45.0	19.2	35.9	36.6	40.6	31.3	42.3	19.4
164.0	31.3	31.7	35.5	29.8	38.1	18.3	29.1	29.8	33.7	30.2	36.4	18.5
177.2	25.6	26.0	29.8	28.7	32.2	17.4	23.4	24.0	27.8	29.1	30.4	17.6
190.3	20.7	21.2	24.7	27.8	27.1	16.8	18.7	19.2	22.7	26.5	25.4	17.0
203.4	16.8	17.0	20.5	23.4	22.9	16.1	14.6	15.0	18.5	21.8	20.9	16.3
216.5	13.2	13.4	16.8	19.4	19.0	15.4	11.0	11.2	14.8	17.6	17.2	15.7
229.7	10.1	10.4	13.4	15.9	15.7	15.0	7.9	8.2	11.5	14.1	13.9	15.2
242.8	7.5	7.7	10.6	12.8	12.8	14.6	5.1	5.5	8.6	11.0	10.8	14.6
255.9	5.1	5.3	8.2	-	10.1	13.2	-	-	6.2	8.2	8.2	11.7
269.0	-	-	6.0	-	7.7	10.6	-	-	-	-	6.0	9.0
282.2	-	-	-	-	5.7	8.2	-	-	-	-	-	6.6

ft	295.3 ft						315.0 ft					
	39.4 ft		78.7 ft		118.1 ft		39.4 ft		78.7 ft		118.1 ft	
	10°	15°	10°	30°	10°	30°	10°	15°	10°	30°	10°	30°
	1,000 lb											
45.9	102.3	-	-	-	-	-	87.5	-	-	-	-	-
49.2	102.3	94.6	-	-	-	-	87.5	81.1	-	-	-	-
52.5	102.3	94.6	-	-	-	-	87.5	81.1	-	-	-	-
55.8	100.3	94.6	69.9	-	-	-	87.5	81.1	-	-	-	-
59.1	98.3	92.8	69.9	-	-	-	85.8	81.1	58.2	-	-	-
65.6	94.4	89.7	68.6	-	48.1	-	82.2	78.5	58.2	-	-	-
72.2	91.9	86.9	66.4	-	48.1	-	79.4	75.8	56.2	-	40.1	-
78.7	89.5	84.9	64.2	-	47.4	-	77.6	74.1	54.0	-	40.1	-
85.3	87.3	82.9	62.6	39.9	46.3	-	75.6	72.3	52.5	38.6	38.8	-
91.9	81.4	81.1	61.1	39.0	45.2	-	73.9	70.5	51.1	38.6	37.5	-
98.4	74.1	75.4	59.5	37.9	44.1	-	71.2	69.0	50.0	38.1	36.4	-
105.0	67.7	68.8	58.2	37.0	43.2	23.6	65.0	66.1	48.9	37.0	35.7	23.6
111.5	61.7	62.8	56.9	36.2	42.3	22.9	59.3	60.2	47.8	36.4	34.8	22.9
124.7	51.6	52.7	53.4	34.4	40.6	21.6	49.4	50.3	45.6	34.6	33.3	21.6
137.8	41.9	42.8	45.2	33.1	39.0	20.5	40.6	41.4	43.0	33.3	32.0	20.5
150.9	33.5	34.4	38.4	31.7	37.3	19.6	32.2	33.1	36.4	32.0	30.4	19.6
164.0	26.9	27.6	31.5	30.4	33.7	18.5	25.4	26.2	30.2	30.9	29.1	18.7
177.2	21.2	21.6	25.6	29.5	28.4	17.9	19.6	20.3	24.5	29.1	26.7	17.9
190.3	16.3	16.8	20.7	24.7	23.4	17.0	14.8	15.4	19.4	23.6	21.8	17.2
203.4	12.1	12.6	16.3	19.8	19.0	16.3	10.8	11.2	15.0	18.7	17.6	16.5
216.5	8.6	9.0	12.6	15.9	15.2	15.9	7.1	7.5	11.2	14.8	13.9	15.9
229.7	5.5	5.7	9.3	12.1	11.7	15.2	-	-	7.9	11.0	10.6	15.2
242.8	-	-	6.4	9.0	8.8	13.0	-	-	5.1	7.9	7.5	11.9
255.9	-	-	-	6.2	6.2	9.9	-	-	-	5.1	4.9	8.8
269.0	-	-	-	-	-	7.3	-	-	-	-	-	6.2
282.2	-	-	-	-	-	4.6	-	-	-	-	-	-

SSL + LF2, SSL/LSL + LF2



SSL + LF2

308,600 lb + 88,200 lb ZB
 29'6" - 49'3"
 0 - 264,600 lb
 23'9"
 360°
 ISO

ft	118.1 ft						137.8 ft					
	39.4 ft		78.7 ft		118.1 ft		39.4 ft		78.7 ft		118.1 ft	
	10°	15°	10°	30°	10°	30°	10°	15°	10°	30°	10°	30°
	1,000 lb											
29.5	242.5	-	-	-	-	-	-	-	-	-	-	-
32.8	242.5	208.3	-	-	-	-	242.5	-	-	-	-	-
36.1	242.5	197.3	-	-	-	-	242.5	202.8	-	-	-	-
39.4	238.1	186.3	145.5	-	-	-	242.5	192.9	-	-	-	-
42.7	222.7	177.5	145.5	-	-	-	235.9	184.1	144.4	-	-	-
45.9	213.8	169.8	143.3	-	-	-	222.7	176.4	142.2	-	-	-
49.2	202.8	163.1	136.7	-	84.2	-	213.8	168.7	141.1	-	-	-
52.5	192.9	156.5	130.1	-	84.2	-	203.9	163.1	135.6	-	82.7	-
59.1	176.4	143.3	116.8	-	81.4	-	186.3	151.0	123.5	-	81.4	-
65.6	165.3	135.6	106.7	52.0	78.9	-	173.1	141.1	112.4	52.7	79.1	-
72.2	154.3	127.9	97.9	49.2	75.2	-	164.2	134.5	103.8	50.0	77.2	-
78.7	144.4	121.3	90.2	46.7	69.2	-	154.3	127.9	96.1	47.6	72.5	-
85.3	133.4	113.5	83.8	44.3	63.9	-	145.5	121.3	89.3	45.4	67.2	-
91.9	122.4	106.0	78.0	42.3	59.3	30.4	135.6	114.6	83.6	43.4	62.6	30.6
98.4	114.6	99.0	73.2	40.3	55.3	28.9	126.8	108.5	78.3	41.7	58.6	29.3
124.7	97.2	86.0	58.2	34.6	43.4	23.8	104.9	91.5	62.8	35.9	46.3	24.5
137.8	88.4	79.4	52.9	32.4	39.0	22.0	97.4	86.0	57.1	33.7	41.7	22.7
144.4	84.0	76.3	50.7	31.5	37.3	21.2	93.5	83.1	54.7	32.6	39.7	21.8
150.9	-	-	48.5	30.6	35.5	20.5	89.7	80.2	52.2	32.0	37.9	21.2
164.0	-	-	44.8	29.3	32.4	19.2	82.0	74.5	48.5	30.4	34.8	19.8
177.2	-	-	41.9	-	30.0	18.1	-	-	45.2	29.1	32.0	18.7
190.3	-	-	-	-	27.8	17.2	-	-	42.3	-	29.8	17.6
203.4	-	-	-	-	26.0	16.3	-	-	-	-	27.8	17.0
216.5	-	-	-	-	24.5	-	-	-	-	-	26.0	16.3
229.7	-	-	-	-	-	-	-	-	-	-	24.7	-

ft	157.5 ft						177.2 ft					
	39.4 ft		78.7 ft		118.1 ft		39.4 ft		78.7 ft		118.1 ft	
	10°	15°	10°	30°	10°	30°	10°	15°	10°	30°	10°	30°
	1,000 lb											
32.8	242.5	-	-	-	-	-	-	-	-	-	-	-
36.1	242.5	206.1	-	-	-	-	242.5	-	-	-	-	-
39.4	242.5	197.3	-	-	-	-	242.5	200.6	-	-	-	-
42.7	242.5	189.6	141.1	-	-	-	242.5	194.0	-	-	-	-
45.9	233.7	181.9	141.1	-	-	-	240.3	186.3	137.8	-	-	-
52.5	212.7	168.7	137.8	-	81.8	-	220.5	173.1	136.7	-	-	-
55.8	205.0	163.1	134.5	-	81.8	-	212.7	167.6	135.6	-	79.8	-
59.1	197.3	157.6	129.0	-	80.9	-	205.0	162.0	132.3	-	79.8	-
65.6	180.8	147.7	117.9	-	79.1	-	190.7	153.2	123.5	-	78.3	-
72.2	170.9	138.9	109.3	50.7	77.2	-	176.4	144.4	113.5	51.4	76.9	-
78.7	163.1	133.4	101.4	48.5	75.2	-	168.7	136.7	106.5	49.2	75.4	-
85.3	154.3	127.9	94.6	46.3	70.3	-	162.0	132.3	99.4	47.2	73.2	-
91.9	146.6	121.3	88.6	44.5	65.7	31.1	154.3	126.8	93.3	45.2	68.6	31.3
98.4	137.8	115.7	83.3	42.8	61.5	29.5	146.6	121.3	88.0	43.7	64.4	30.0
111.5	121.3	104.7	74.3	39.7	54.5	27.1	132.3	111.3	78.7	40.6	57.1	27.6
124.7	110.2	95.9	67.0	37.0	48.9	25.1	116.8	101.4	71.2	38.1	51.4	25.6
137.8	104.1	90.8	61.1	34.8	44.3	23.4	109.3	94.6	64.8	35.9	46.5	23.8
150.9	97.4	86.0	56.0	32.8	40.3	21.8	103.4	90.2	59.7	34.0	42.5	22.3
164.0	90.6	80.9	51.8	31.3	37.0	20.5	97.4	85.8	55.3	32.4	39.0	20.9
177.2	83.8	75.8	48.3	30.0	34.2	19.2	91.3	81.4	51.4	30.9	36.2	19.8
190.3	-	-	45.2	29.1	31.7	18.3	85.3	76.9	48.3	29.8	33.5	18.7
203.4	-	-	42.8	-	29.5	17.4	-	-	45.4	28.9	31.3	17.9
216.5	-	-	40.6	-	27.8	16.8	-	-	43.0	-	29.5	17.2
229.7	-	-	-	-	26.2	16.1	-	-	41.0	-	27.8	16.5
242.8	-	-	-	-	24.9	-	-	-	-	-	26.2	16.1
255.9	-	-	-	-	-	-	-	-	-	-	24.9	-
269.0	-	-	-	-	-	-	-	-	-	-	23.8	-

SSL + LF2

308,600 lb + 88,200 lb ZB 29'6" - 49'3" 0 - 264,600 lb 23'9" 360° ISO

ft	196.9 ft						216.5 ft					
	39.4 ft	78.7 ft	118.1 ft	39.4 ft	78.7 ft	118.1 ft	39.4 ft	78.7 ft	118.1 ft	39.4 ft	78.7 ft	118.1 ft
	10°	15°	10°	30°	10°	30°	10°	15°	10°	30°	10°	30°
36.1	242.5	-	-	-	-	-	-	-	-	-	-	-
39.4	242.5	197.3	-	-	-	-	211.6	-	-	-	-	-
42.7	242.5	197.3	-	-	-	-	211.6	197.3	-	-	-	-
45.9	242.5	189.6	134.5	-	-	-	211.6	191.8	-	-	-	-
49.2	235.9	183.0	134.5	-	-	-	211.6	186.3	126.8	-	-	-
52.5	227.1	177.5	133.4	-	-	-	211.6	179.7	126.8	-	-	-
55.8	219.4	172.0	132.3	-	78.5	-	211.6	175.3	125.7	-	-	-
59.1	211.6	166.4	132.3	-	78.5	-	211.6	169.8	125.7	-	75.8	-
65.6	198.4	157.6	125.7	-	77.4	-	203.9	160.9	123.5	-	75.4	-
72.2	186.3	149.9	119.0	51.8	76.1	-	191.8	153.2	120.2	52.2	74.3	-
78.7	174.2	141.1	110.2	49.6	75.0	-	180.8	145.5	114.6	50.3	73.4	-
85.3	167.6	135.6	104.1	47.8	73.6	-	170.9	138.9	108.5	48.3	72.5	-
91.9	159.8	131.2	97.9	46.1	71.2	-	164.2	134.5	102.1	46.5	71.2	-
98.4	153.2	126.8	92.2	44.3	66.8	30.2	158.7	130.1	96.3	45.0	69.2	30.4
111.5	140.0	116.8	82.7	41.4	59.7	28.0	146.6	121.3	86.6	42.1	62.2	28.2
124.7	126.8	108.0	75.0	39.0	53.8	26.0	134.5	112.4	78.7	39.7	56.0	26.2
137.8	113.5	98.8	68.6	36.8	48.9	24.3	122.4	104.9	72.1	37.5	51.1	24.7
150.9	108.0	93.7	63.1	34.8	44.8	22.7	111.3	96.3	66.4	35.7	46.7	23.1
164.0	102.7	89.7	58.4	33.3	41.2	21.4	106.9	92.6	61.7	34.0	43.2	21.8
177.2	97.2	85.5	54.5	31.7	38.1	20.3	102.1	89.1	57.5	32.6	39.9	20.7
190.3	91.7	81.6	51.1	30.6	35.5	19.2	95.5	85.3	53.8	31.3	37.3	19.6
203.4	86.4	77.6	48.1	29.5	33.1	18.3	86.6	81.8	50.7	30.2	34.8	18.7
216.5	-	73.6	45.4	28.7	31.1	17.6	78.9	78.3	47.8	29.3	32.6	18.1
229.7	-	-	43.2	-	29.3	17.0	72.3	72.5	45.4	28.7	30.9	17.4
242.8	-	-	41.2	-	27.8	16.3	-	-	43.4	-	29.1	16.8
255.9	-	-	-	-	26.2	15.9	-	-	41.4	-	27.6	16.3
269.0	-	-	-	-	25.1	-	-	-	39.9	-	26.5	15.9
282.2	-	-	-	-	24.0	-	-	-	-	-	25.1	-
295.3	-	-	-	-	-	-	-	-	-	-	24.3	-

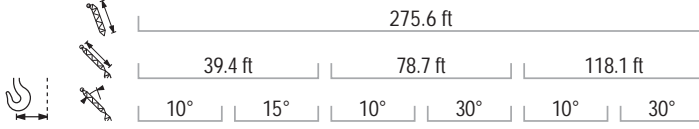
SSL + LF2

308,600 lb + 88,200 lb ZB
 29'6" - 49'3"
 0 - 264,600 lb
 23'9"
 360°
 ISO

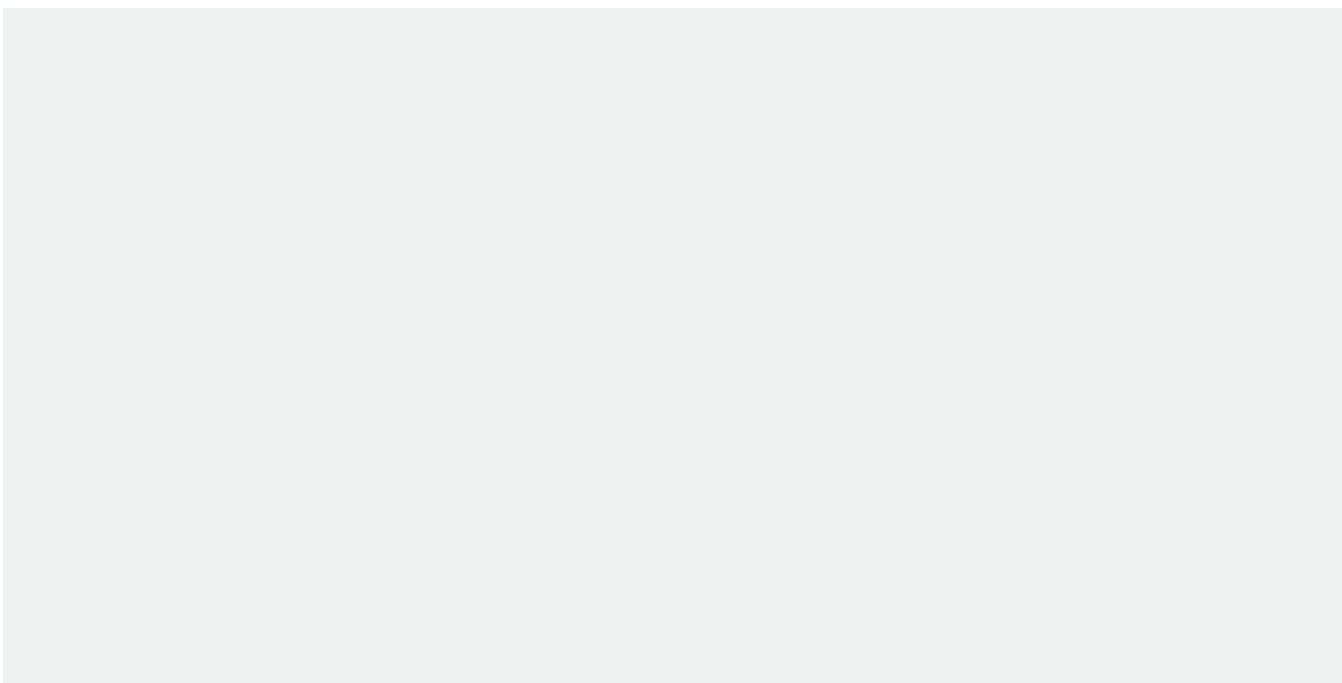
ft	236.2 ft						255.9 ft					
	39.4 ft	78.7 ft	118.1 ft	39.4 ft	78.7 ft	118.1 ft	39.4 ft	78.7 ft	118.1 ft	39.4 ft	78.7 ft	118.1 ft
	10°	15°	10°	30°	10°	30°	10°	15°	10°	30°	10°	30°
	1,000 lb											
39.4	181.9	-	-	-	-	-	-	-	-	-	-	-
42.7	181.9	181.9	-	-	-	-	181.9	-	-	-	-	-
45.9	181.9	181.9	-	-	-	-	181.9	181.9	-	-	-	-
49.2	181.9	181.9	122.4	-	-	-	181.9	181.9	-	-	-	-
52.5	181.9	181.9	122.4	-	-	-	181.9	181.9	115.7	-	-	-
59.1	181.9	173.1	121.3	-	73.6	-	181.9	176.4	115.7	-	-	-
62.3	181.9	168.7	121.3	-	73.6	-	181.9	172.0	115.7	-	70.8	-
65.6	181.9	164.2	120.2	-	73.6	-	181.9	168.7	114.6	-	70.8	-
72.2	181.9	156.5	119.0	-	72.8	-	181.9	160.9	114.6	-	70.1	-
78.7	181.9	149.9	117.9	50.5	71.9	-	181.9	154.3	114.6	50.9	69.4	-
85.3	177.5	143.3	112.4	48.7	71.2	-	181.9	147.7	112.4	49.2	69.0	-
91.9	168.7	136.7	106.0	47.2	70.5	-	174.2	142.2	108.9	47.6	68.6	-
98.4	163.1	132.3	100.3	45.6	69.0	30.6	167.6	136.7	104.1	46.1	67.9	30.6
111.5	152.1	124.6	90.4	42.8	64.4	28.4	157.6	129.0	94.1	43.4	65.3	28.7
124.7	141.1	116.8	82.2	40.6	58.2	26.7	147.7	122.4	85.8	41.0	60.4	26.9
137.8	130.1	110.0	75.4	38.4	53.1	24.9	136.7	114.6	78.7	39.0	55.1	25.4
150.9	119.0	102.3	69.7	36.4	48.7	23.6	126.8	108.0	72.8	37.3	50.7	23.8
164.0	110.2	95.2	64.6	34.8	45.0	22.3	113.5	101.0	67.7	35.5	47.0	22.7
177.2	103.6	91.9	60.4	33.3	41.9	21.2	102.1	95.0	63.1	34.0	43.7	21.6
190.3	93.3	88.6	56.7	32.0	39.0	20.1	91.7	91.7	59.3	32.6	40.6	20.5
203.4	84.4	84.7	53.4	30.9	36.4	19.2	82.9	83.1	55.8	31.5	38.1	19.6
216.5	76.7	76.9	50.3	30.0	34.2	18.5	75.2	75.4	52.7	30.6	35.7	18.7
229.7	70.1	70.3	47.8	29.1	32.2	17.6	68.3	68.6	50.0	29.8	33.7	18.1
242.8	64.2	64.4	45.6	28.4	30.6	17.0	62.4	62.6	47.6	28.9	32.0	17.4
255.9	-	-	43.4	-	28.9	16.5	56.9	57.1	45.6	28.2	30.2	16.8
269.0	-	-	41.9	-	27.6	16.1	-	-	43.7	-	28.9	16.3
282.2	-	-	40.3	-	26.5	15.7	-	-	41.9	-	27.6	15.9
295.3	-	-	-	-	25.4	-	-	-	40.6	-	26.5	15.7
308.4	-	-	-	-	24.3	-	-	-	-	-	25.4	-
321.5	-	-	-	-	23.6	-	-	-	-	-	24.5	-
334.6	-	-	-	-	-	-	-	-	-	-	23.6	-

SSL + LF2

 308,600 lb + 88,200 lb ZB
  29'6" - 49'3"
  0 - 264,600 lb
  23'9"
 360°
 ISO



ft	1,000 lb					
42.7	151.0	-	-	-	-	-
45.9	151.0	151.0	-	-	-	-
52.5	151.0	151.0	110.2	-	-	-
59.1	151.0	151.0	110.2	-	-	-
62.3	151.0	151.0	110.2	-	65.9	-
65.6	151.0	151.0	110.2	-	65.9	-
72.2	151.0	151.0	110.2	-	65.7	-
78.7	151.0	151.0	110.0	51.1	65.0	-
85.3	151.0	151.0	110.0	49.6	64.6	-
91.9	151.0	145.5	107.6	48.1	64.2	-
98.4	151.0	140.0	104.1	46.5	63.7	-
105.0	151.0	135.6	100.8	45.2	63.1	29.8
111.5	151.0	131.2	97.2	44.1	62.6	28.9
124.7	151.0	124.6	89.1	41.7	61.3	27.1
137.8	143.3	117.9	81.8	39.7	57.1	25.6
150.9	125.7	111.3	75.8	37.7	52.5	24.3
164.0	111.3	105.8	70.5	36.2	48.7	22.9
177.2	99.9	99.2	65.9	34.6	45.2	21.8
190.3	89.5	89.9	61.7	33.3	42.3	20.7
203.4	80.7	81.1	58.2	32.2	39.7	19.8
216.5	73.0	73.2	55.1	31.1	37.3	19.2
229.7	66.1	66.4	52.2	30.2	35.3	18.3
242.8	59.7	60.2	49.8	29.3	33.3	17.6
255.9	54.2	54.5	47.6	28.7	31.5	17.2
269.0	49.2	49.4	45.4	28.2	30.0	16.5
282.2	44.8	45.0	43.7	-	28.7	16.1
295.3	-	-	42.1	-	27.6	15.9
308.4	-	-	40.3	-	26.5	15.4
321.5	-	-	-	-	25.4	-
334.6	-	-	-	-	24.5	-
347.8	-	-	-	-	23.8	-



SSL / LSL + LF2

308,600 lb + 88,200 lb ZB
 29'6" - 49'3"
 0 - 264,600 lb
 23'9"
 360°
 ISO






ft	255.9 ft						275.6 ft					
	39.4 ft		78.7 ft		118.1 ft		39.4 ft		78.7 ft		118.1 ft	
	10°	15°	10°	30°	10°	30°	10°	15°	10°	30°	10°	30°
	1,000 lb											
45.9	181.9	175.3	-	-	-	-	147.7	131.2	-	-	-	-
52.5	181.9	174.2	114.6	-	-	-	144.4	130.1	-	-	-	-
59.1	181.9	172.0	114.6	-	-	-	142.2	127.9	90.4	-	-	-
65.6	181.9	169.8	114.6	-	70.5	-	138.9	125.7	88.0	-	61.5	-
72.2	180.8	164.2	113.5	-	70.1	-	136.7	123.5	85.8	-	60.3	-
78.7	179.7	158.7	112.4	41.0	69.7	-	134.5	121.3	83.6	41.0	59.1	-
85.3	177.5	152.7	106.6	39.8	69.2	-	132.3	119.6	81.7	39.9	57.7	-
91.9	175.3	146.6	100.8	38.6	68.8	-	130.1	117.9	79.8	38.8	56.2	-
98.4	172.0	141.1	96.0	37.6	66.6	-	127.9	116.3	78.0	37.8	54.9	-
105.0	168.7	135.6	91.3	36.6	64.4	23.6	125.7	114.6	76.3	36.8	53.6	23.6
111.5	162.0	130.6	87.3	35.6	61.4	22.8	124.0	113.0	74.7	35.9	52.5	22.9
124.7	149.4	121.8	80.0	33.8	56.0	21.5	120.7	110.2	72.0	34.3	50.3	21.6
137.8	138.3	114.1	73.9	32.4	51.5	20.4	117.4	107.8	69.7	32.7	48.3	20.4
150.9	129.0	107.6	68.6	31.1	47.5	19.3	114.6	105.2	67.6	31.3	46.6	19.4
164.0	117.9	102.3	64.0	29.9	44.1	18.3	110.8	102.5	65.1	30.1	44.9	18.5
177.2	105.8	97.2	60.1	28.8	41.1	17.5	103.5	99.1	62.1	29.1	42.5	17.6
190.3	95.6	92.3	56.4	27.8	38.5	16.8	94.1	93.4	58.8	28.2	39.9	16.9
203.4	86.6	86.2	53.2	27.0	36.2	16.1	85.2	85.5	55.6	27.3	37.5	16.2
216.5	78.8	79.0	50.5	26.3	34.1	15.5	77.5	77.7	52.7	26.6	35.4	15.7
229.7	72.0	72.2	48.1	25.7	32.2	15.0	70.7	70.9	50.2	25.9	33.4	15.1
242.8	66.0	66.2	46.0	25.1	30.5	14.6	64.6	64.8	47.8	25.4	31.6	14.7
249.3	63.3	63.5	45.0	24.9	29.8	14.3	61.7	61.9	46.7	25.1	30.9	14.6
255.9	-	61.0	44.0	-	29.0	14.1	59.2	59.4	45.7	24.9	30.1	14.3
262.5	-	58.4	43.0	-	28.2	13.9	56.7	56.9	44.8	24.7	29.3	14.1
269.0	-	-	42.2	-	27.7	13.8	54.3	54.5	43.9	-	28.7	13.9
275.6	-	-	41.4	-	27.1	13.7	52.0	52.0	43.0	-	28.0	13.7
282.2	-	-	40.8	-	26.6	13.6	-	-	42.2	-	27.4	13.6
288.7	-	-	40.1	-	26.0	13.4	-	-	41.4	-	26.9	13.4
295.3	-	-	-	-	25.5	-	-	-	40.8	-	26.3	13.3
301.8	-	-	-	-	24.9	-	-	-	40.1	-	25.8	13.2
308.4	-	-	-	-	24.5	-	-	-	39.6	-	25.4	-
315.0	-	-	-	-	24.0	-	-	-	39.0	-	24.9	-
321.5	-	-	-	-	23.6	-	-	-	-	-	24.5	-
328.1	-	-	-	-	23.1	-	-	-	-	-	24.0	-
334.6	-	-	-	-	-	-	-	-	-	-	23.7	-
341.2	-	-	-	-	-	-	-	-	-	-	23.4	-
347.8	-	-	-	-	-	-	-	-	-	-	-	-

SSL / LSL + LF2

308,600 lb + 88,200 lb ZB 29'6" - 49'3" 0 - 264,600 lb 23'9" 360° ISO

ft	295.3 ft						315.0 ft					
	39.4 ft		78.7 ft		118.1 ft		39.4 ft		78.7 ft		118.1 ft	
	10°	15°	10°	30°	10°	30°	10°	15°	10°	30°	10°	30°
	1,000 lb											
45.9	127.9	-	-	-	-	-	126.8	-	-	-	-	-
52.5	126.8	114.6	-	-	-	-	125.7	114.6	-	-	-	-
59.1	123.5	111.3	80.7	-	-	-	122.4	112.4	80.5	-	-	-
65.6	120.2	109.3	78.3	-	54.5	-	120.2	110.2	79.4	-	-	-
72.2	116.8	106.7	75.9	-	53.7	-	117.4	108.4	77.4	-	-	-
78.7	113.5	104.1	73.6	-	52.9	-	114.6	106.5	75.4	-	54.0	-
85.3	110.6	101.4	71.4	-	51.4	-	112.4	104.2	73.4	-	52.7	-
91.9	107.6	98.8	69.2	38.8	49.8	-	110.2	101.9	71.4	39.0	51.4	-
98.4	104.5	96.3	67.4	37.9	48.4	-	107.6	99.6	69.7	38.0	50.0	-
105.0	101.4	93.9	65.5	37.0	47.0	23.6	104.9	97.4	67.9	37.0	48.7	23.6
111.5	98.9	91.7	63.5	36.2	45.6	22.9	102.5	95.3	66.1	36.3	47.5	22.9
124.7	94.1	87.6	60.0	34.5	43.1	21.7	98.1	91.5	62.7	34.7	45.1	21.7
137.8	89.7	83.9	57.2	33.1	40.8	20.6	94.2	88.1	59.9	33.3	42.8	20.6
150.9	85.2	80.1	54.8	31.7	38.8	19.5	90.4	84.8	57.4	32.0	40.8	19.6
164.0	80.7	76.4	52.4	30.5	37.1	18.6	86.4	81.5	55.1	30.8	39.1	18.7
177.2	76.3	72.6	49.9	29.4	35.6	17.9	82.5	78.2	52.8	29.8	37.6	18.0
190.3	72.3	69.2	47.5	28.4	34.1	17.1	78.6	74.8	50.4	28.9	36.0	17.3
203.4	69.4	66.7	45.0	27.7	32.5	16.4	75.0	71.7	48.1	28.0	34.5	16.6
216.5	67.5	65.0	42.8	26.9	31.0	15.9	71.4	68.9	45.7	27.2	33.0	16.0
229.7	65.5	63.6	41.4	26.2	29.3	15.3	67.0	65.8	43.8	26.6	31.5	15.4
242.8	62.3	61.4	40.7	25.7	27.9	14.8	61.4	61.3	42.5	25.9	30.1	15.0
255.9	57.5	57.5	39.9	25.1	27.0	14.3	55.8	56.0	41.8	25.4	28.8	14.6
269.0	52.5	52.7	39.1	24.8	26.5	14.0	50.7	50.9	41.1	24.9	27.9	14.1
275.6	50.0	50.3	38.8	24.7	26.2	13.9	48.3	48.5	40.8	24.7	27.6	13.9
282.2	48.0	48.2	38.5	-	26.0	13.7	46.1	46.3	40.3	24.6	27.3	13.8
288.7	45.9	46.1	38.1	-	25.8	13.4	43.9	44.1	39.9	24.5	27.1	13.7
295.3	-	-	37.7	-	25.6	13.3	42.0	42.2	39.6	24.4	26.9	13.6
301.8	-	-	37.3	-	25.4	13.2	40.1	40.3	39.2	24.3	26.7	13.4
308.4	-	-	36.9	-	25.0	13.1	-	-	38.8	-	26.5	13.3
315.0	-	-	36.6	-	24.7	13.0	-	-	38.4	-	26.2	13.2
321.5	-	-	36.3	-	24.5	-	-	-	37.3	-	25.9	13.1
328.1	-	-	35.9	-	24.3	-	-	-	36.2	-	25.6	13.0
334.6	-	-	-	-	24.0	-	-	-	34.7	-	25.2	-
341.2	-	-	-	-	23.8	-	-	-	33.3	-	24.9	-
347.8	-	-	-	-	23.6	-	-	-	-	-	24.5	-
360.9	-	-	-	-	23.0	-	-	-	-	-	23.7	-
367.5	-	-	-	-	22.7	-	-	-	-	-	23.4	-
374.0	-	-	-	-	-	-	-	-	-	-	23.0	-
380.6	-	-	-	-	-	-	-	-	-	-	22.7	-

SSL / LSL + LF2

 308,600 lb + 88,200 lb ZB
  29'6" - 49'3"
  0-264,600 lb
  23'9"
  360°
  ISO

ft	334.6 ft						354.3 ft					
	39.4 ft		78.7 ft		118.1 ft		39.4 ft		78.7 ft		118.1 ft	
	10°	15°	10°	30°	10°	30°	10°	15°	10°	30°	10°	30°
	1,000 lb											
52.5	108.0	98.8	-	-	-	-	99.9	-	-	-	-	-
59.1	105.8	97.9	70.1	-	-	-	99.0	92.6	-	-	-	-
65.6	103.8	96.1	69.2	-	-	-	97.4	91.1	66.4	-	-	-
72.2	101.5	94.1	67.7	-	-	-	95.7	89.5	64.9	-	-	-
78.7	99.2	92.2	66.1	-	47.4	-	93.9	88.0	63.5	-	45.9	-
85.3	96.9	90.2	64.5	-	46.2	-	92.0	86.3	62.2	-	44.9	-
91.9	94.6	88.2	62.8	39.0	45.0	-	90.2	84.7	60.8	39.0	43.9	-
98.4	92.3	86.2	61.3	38.1	43.9	-	88.2	83.1	59.4	38.3	42.9	-
111.5	87.7	82.2	58.3	36.5	41.8	-	84.2	79.9	56.7	36.6	40.9	-
118.1	85.5	80.2	56.9	35.7	40.8	22.3	82.2	78.3	55.3	35.7	39.9	22.3
124.7	83.8	78.6	55.4	34.9	39.8	21.7	80.4	76.7	54.0	35.1	39.0	21.7
137.8	80.4	75.5	52.8	33.5	37.8	20.6	76.8	73.7	51.5	33.7	37.3	20.7
150.9	76.9	72.6	50.6	32.2	35.9	19.6	73.6	70.8	49.3	32.5	35.5	19.8
164.0	73.5	69.7	48.5	31.1	34.4	18.8	70.4	67.8	47.4	31.4	33.8	19.0
177.2	70.2	66.7	46.4	30.1	33.1	18.1	67.1	64.9	45.6	30.3	32.5	18.2
190.3	66.9	63.8	44.4	29.1	31.9	17.3	63.8	61.9	43.9	29.3	31.4	17.5
203.4	63.6	61.0	42.4	28.2	30.6	16.6	60.6	59.0	42.1	28.4	30.2	16.9
216.5	60.6	58.3	40.5	27.4	29.3	16.1	57.4	56.1	40.3	27.7	29.0	16.2
229.7	58.4	56.3	38.5	26.8	28.0	15.5	54.6	53.5	38.6	27.0	27.8	15.7
242.8	56.4	54.8	36.8	26.1	26.7	15.0	52.6	51.4	36.8	26.3	26.6	15.2
255.9	53.2	52.6	35.8	25.6	25.4	14.6	50.4	49.5	35.4	25.8	25.5	14.8
269.0	48.8	48.9	35.3	25.1	24.3	14.2	46.7	46.7	34.5	25.4	24.3	14.3
282.2	44.3	44.5	34.7	24.7	23.7	13.9	42.4	42.8	34.0	24.9	23.3	14.0
295.3	40.2	40.5	34.1	24.4	23.4	13.6	38.4	38.6	33.4	24.5	22.7	13.7
308.4	36.6	36.8	33.5	24.1	22.9	13.3	34.6	34.8	32.7	24.1	22.3	13.3
315.0	34.8	35.1	33.3	24.0	22.7	13.2	32.8	33.1	32.4	24.0	22.0	13.2
321.5	33.2	33.4	33.0	-	22.5	13.1	31.2	31.4	32.1	23.9	21.8	13.1
328.1	31.5	31.7	32.6	-	22.3	13.0	29.5	29.8	31.7	23.8	21.6	13.0
334.6	-	-	32.0	-	22.0	12.9	28.1	28.3	30.8	-	21.4	12.9
341.2	-	-	31.3	-	21.8	12.8	26.7	26.9	29.8	-	21.2	12.8
347.8	-	-	30.0	-	21.7	-	-	-	28.3	-	21.1	12.8
354.3	-	-	28.7	-	21.6	-	-	-	26.9	-	20.9	12.8
360.9	-	-	-	-	21.4	-	-	-	25.6	-	20.7	12.7
367.5	-	-	-	-	21.2	-	-	-	24.3	-	20.5	12.6
374.0	-	-	-	-	20.9	-	-	-	23.0	-	20.3	-
380.6	-	-	-	-	20.7	-	-	-	21.8	-	20.1	-
387.1	-	-	-	-	20.5	-	-	-	-	-	19.8	-
393.7	-	-	-	-	20.3	-	-	-	-	-	19.6	-
400.3	-	-	-	-	-	-	-	-	-	-	19.2	-
413.4	-	-	-	-	-	-	-	-	-	-	18.0	-
419.9	-	-	-	-	-	-	-	-	-	-	17.2	-

SSL / LSL + LF2

308,600 lb + 88,200 lb ZB 29'6" - 49'3" 0 - 264,600 lb 23'9" 360° ISO

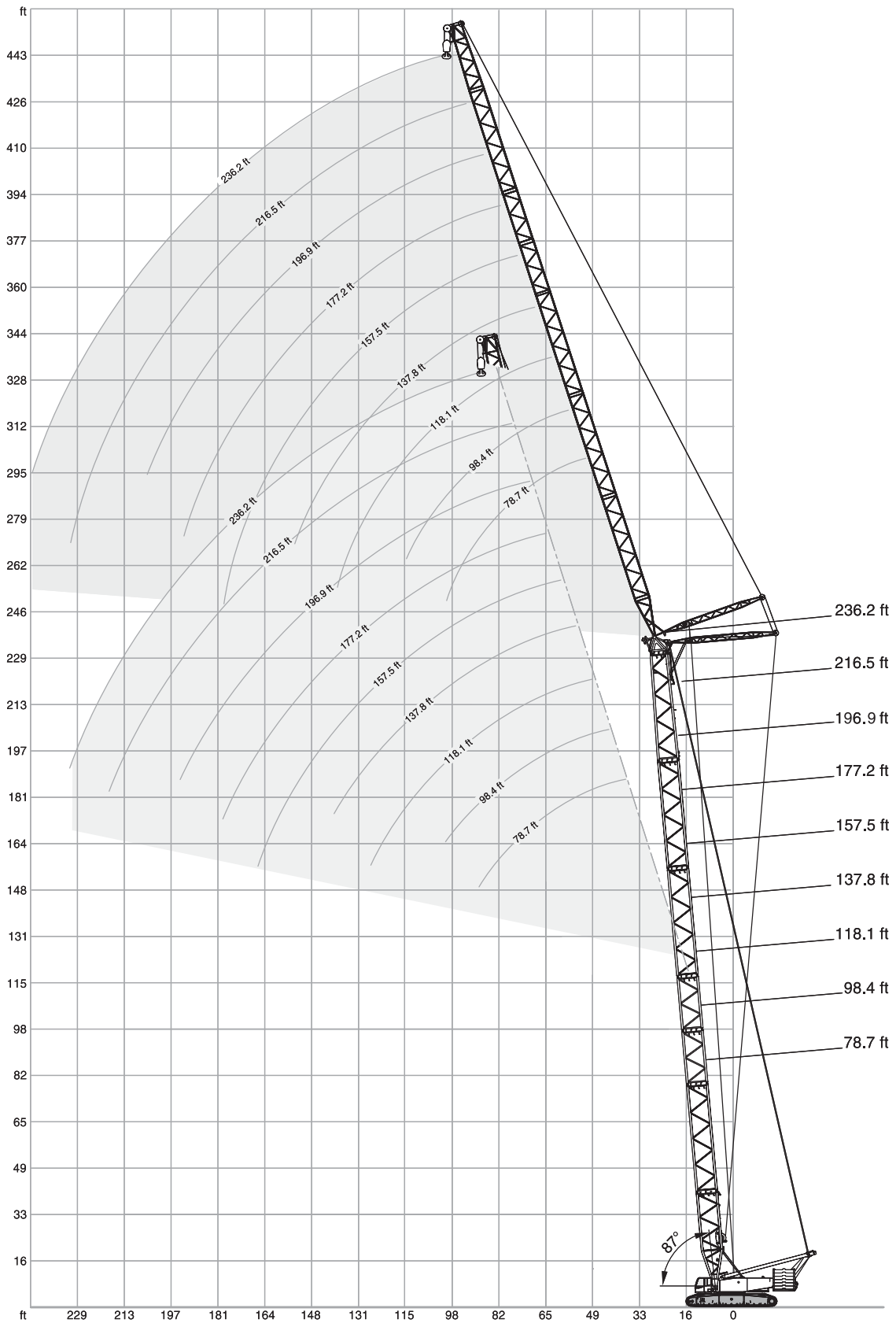
ft	374.0 ft						393.7 ft					
	39.4 ft		78.7 ft		118.1 ft		39.4 ft		78.7 ft		118.1 ft	
	10°	15°	10°	30°	10°	30°	10°	15°	10°	30°	10°	30°
	1,000 lb											
52.5	83.8	-	-	-	-	-	-	-	-	-	-	-
59.1	83.1	78.5	-	-	-	-	73.2	69.2	-	-	-	-
65.6	81.8	77.2	56.0	-	-	-	72.1	68.8	51.1	-	-	-
72.2	80.4	75.7	55.2	-	-	-	71.1	67.7	50.5	-	-	-
78.7	78.9	74.3	54.5	-	39.2	-	70.1	66.6	49.8	-	36.4	-
85.3	77.4	73.0	53.2	-	38.5	-	68.9	65.6	48.8	-	35.9	-
91.9	75.8	71.7	52.0	36.8	37.7	-	67.7	64.6	47.8	35.5	35.5	-
98.4	74.4	70.2	50.9	36.4	36.9	-	66.5	63.6	47.0	35.2	34.7	-
111.5	71.4	67.5	48.7	35.5	35.4	-	64.2	61.5	45.2	34.4	33.3	-
118.1	69.9	66.1	47.6	35.1	34.6	22.3	63.1	60.4	44.3	34.0	32.6	22.3
124.7	68.6	64.8	46.5	34.6	33.7	21.7	61.8	59.2	43.4	33.6	32.0	21.7
137.8	65.9	62.3	44.4	33.6	32.2	20.7	59.5	57.0	41.7	32.8	30.6	20.7
150.9	63.5	60.1	42.5	32.5	30.8	19.8	57.4	55.1	39.9	31.9	29.4	19.8
164.0	61.2	58.0	40.9	31.5	29.3	19.0	55.4	53.2	38.4	30.9	28.2	19.1
177.2	58.8	55.9	39.5	30.5	28.1	18.2	53.5	51.4	37.0	30.0	27.1	18.3
190.3	56.3	53.8	38.0	29.5	27.0	17.5	51.5	49.6	35.7	29.2	26.1	17.5
203.4	54.0	51.7	36.5	28.7	26.0	16.9	49.5	47.7	34.4	28.4	25.1	17.0
216.5	51.7	49.6	34.9	27.9	25.0	16.3	47.5	45.9	33.1	27.6	24.3	16.4
229.7	49.4	47.5	33.4	27.2	24.0	15.8	45.4	44.1	31.7	26.8	23.3	15.9
242.8	47.3	45.7	31.9	26.6	23.0	15.2	43.4	42.3	30.5	26.0	22.3	15.4
255.9	45.5	44.2	30.4	25.9	21.9	14.8	41.8	40.7	29.3	25.1	21.4	15.0
269.0	43.5	42.7	29.3	25.1	20.8	14.4	40.3	39.2	28.0	24.4	20.4	14.6
282.2	40.3	40.3	28.5	24.5	19.8	14.1	38.4	37.6	27.0	23.7	19.4	14.1
295.3	36.5	36.8	27.9	24.1	19.1	13.8	35.1	35.1	26.3	23.1	18.5	13.8
308.4	32.7	33.1	27.2	23.9	18.5	13.4	31.3	31.7	25.7	22.7	17.9	13.6
321.5	29.3	29.7	26.6	23.6	18.2	13.1	27.9	28.3	25.0	22.4	17.4	13.2
334.6	26.3	26.5	26.0	23.3	17.9	12.9	24.8	25.1	24.5	22.0	17.0	12.9
341.2	24.9	24.9	25.8	23.1	17.6	12.8	23.4	23.6	24.3	21.8	16.8	12.8
347.8	23.6	23.6	25.2	-	17.4	12.8	22.0	22.3	23.7	21.7	16.6	12.8
354.3	22.3	22.3	24.7	-	17.2	12.8	20.7	20.9	23.1	21.6	16.5	12.8
360.9	-	-	23.7	-	17.0	12.7	19.5	19.7	22.3	-	16.3	12.7
374.0	-	-	21.5	-	16.5	12.6	17.2	17.4	20.2	-	15.9	12.5
380.6	-	-	20.3	-	16.3	12.6	16.1	16.3	19.0	-	15.7	12.3
387.1	-	-	19.2	-	16.1	-	-	-	17.9	-	15.5	12.3
393.7	-	-	18.1	-	15.9	-	-	-	16.8	-	15.4	12.3
400.3	-	-	-	-	15.8	-	-	-	15.7	-	15.2	-
406.8	-	-	-	-	15.7	-	-	-	14.6	-	15.0	-
413.4	-	-	-	-	15.3	-	-	-	-	-	14.6	-
426.5	-	-	-	-	14.3	-	-	-	-	-	13.3	-
433.1	-	-	-	-	13.7	-	-	-	-	-	12.6	-
439.6	-	-	-	-	-	-	-	-	-	-	11.7	-
446.2	-	-	-	-	-	-	-	-	-	-	10.8	-
452.8	-	-	-	-	-	-	-	-	-	-	-	-

SSL / LSL + LF2

308,600 lb + 88,200 lb ZB
 29'6" - 49'3"
 0 - 264,600 lb
 23'9"
 360°
 ISO

ft	1,000 lb					
59.1	62.2	58.4	-	-	-	-
65.6	61.1	58.0	43.9	-	-	-
72.2	60.0	57.0	43.3	-	-	-
78.7	58.9	56.0	42.8	-	30.4	-
85.3	57.8	55.2	41.9	-	30.1	-
91.9	56.7	54.5	41.0	30.6	29.8	-
98.4	55.7	53.7	40.2	30.4	29.3	-
111.5	53.7	51.9	38.7	29.9	28.4	-
118.1	52.7	50.9	37.9	29.5	28.0	19.4
124.7	51.7	49.9	37.3	29.2	27.6	19.3
137.8	49.8	48.1	35.8	28.5	26.7	19.0
150.9	48.2	46.4	34.4	27.9	25.6	18.5
164.0	46.5	44.9	33.1	27.1	24.4	18.2
177.2	44.9	43.3	31.9	26.3	23.3	17.7
190.3	43.2	41.8	30.8	25.6	22.3	17.2
203.4	41.6	40.2	29.7	24.8	21.5	16.8
216.5	40.0	38.8	28.5	24.1	20.7	16.3
229.7	38.4	37.4	27.4	23.4	19.8	15.9
242.8	36.7	35.8	26.3	22.6	19.1	15.4
255.9	35.2	34.3	25.2	21.8	18.3	15.0
269.0	33.7	33.0	24.0	21.1	17.5	14.6
282.2	32.4	31.7	22.9	20.4	16.8	14.1
295.3	31.0	30.5	22.2	19.7	15.9	13.7
308.4	29.0	28.9	21.6	19.2	15.1	13.1
321.5	26.1	26.2	21.2	18.8	14.6	12.6
334.6	22.9	23.3	20.6	18.6	14.2	12.2
347.8	20.1	20.4	20.1	18.4	13.9	12.0
360.9	17.5	17.7	19.4	18.1	13.6	11.9
367.5	16.3	16.5	19.0	17.9	13.4	11.9
374.0	15.2	15.3	18.1	-	13.2	11.8
387.1	13.0	13.0	16.1	-	12.9	11.7
393.7	11.9	11.9	15.0	-	12.8	11.7
400.3	-	-	13.9	-	12.7	11.6
406.8	-	-	12.8	-	12.6	11.5
413.4	-	-	11.8	-	12.3	-
426.5	-	-	9.8	-	11.5	-
433.1	-	-	8.8	-	10.8	-
439.6	-	-	-	-	9.9	-
452.8	-	-	-	-	8.0	-
459.3	-	-	-	-	7.1	-
465.9	-	-	-	-	-	-

3



SW

308,600 lb + 88,200 lb ZB 23'9" 360° ISO

98.4 ft

ft	78.7 ft			98.4 ft			118.1 ft			137.8 ft			157.5 ft		
	87°-85°	75°	65°	87°-85°	75°	65°	87°-85°	75°	65°	87°-85°	75°	65°	87°-85°	75°	65°
	1,000 lb														
36.1	367.1	-	-	-	-	-	-	-	-	-	-	-	-	-	-
39.4	354.9	-	-	-	-	-	-	-	-	-	-	-	-	-	-
42.7	325.2	-	-	302.0	-	-	-	-	-	-	-	-	-	-	-
45.9	292.1	-	-	289.9	-	-	255.7	-	-	-	-	-	-	-	-
52.5	241.4	-	-	240.3	-	-	239.2	-	-	217.8	-	-	-	-	-
55.8	221.6	-	-	220.5	-	-	219.8	-	-	213.8	-	-	186.3	-	-
59.1	205.9	-	-	204.6	-	-	203.0	-	-	201.7	-	-	183.4	-	-
65.6	178.8	-	-	177.5	-	-	175.9	-	-	174.6	-	-	173.5	-	-
72.2	157.6	-	-	156.3	-	-	154.8	-	-	153.4	-	-	152.3	-	-
75.5	149.1	136.7	-	147.8	-	-	146.3	-	-	144.8	-	-	143.9	-	-
78.7	140.7	129.0	-	139.3	-	-	137.8	-	-	136.2	-	-	135.4	-	-
82.0	133.7	122.6	-	132.4	120.8	-	130.8	-	-	129.3	-	-	128.4	-	-
85.3	126.8	116.2	-	125.4	114.4	-	123.9	-	-	122.4	-	-	121.5	-	-
91.9	113.8	105.4	-	114.0	103.6	-	112.4	101.9	-	110.9	-	-	109.8	-	-
98.4	-	96.3	-	104.1	94.6	-	102.5	92.8	-	101.0	-	-	100.1	-	-
101.7	-	-	85.3	98.4	90.8	-	98.3	88.8	-	96.8	87.1	-	95.8	-	-
108.3	-	-	78.7	90.8	83.6	-	90.5	81.6	-	89.0	79.8	-	87.9	78.5	-
111.5	-	-	75.6	87.3	80.2	-	86.9	78.3	-	85.3	76.5	-	84.2	75.2	-
114.8	-	-	72.8	-	77.3	71.0	83.8	75.4	-	82.1	73.5	-	81.0	72.3	-
124.7	-	-	65.5	-	69.2	63.3	75.2	67.5	61.3	73.4	65.5	-	72.3	64.2	-
137.8	-	-	-	-	-	55.3	-	58.9	53.4	64.2	56.9	51.4	62.8	55.6	-
150.9	-	-	-	-	-	-	-	-	47.0	-	50.0	44.8	55.3	48.5	43.0
164.0	-	-	-	-	-	-	-	-	41.9	-	44.5	39.2	49.2	43.0	37.5
177.2	-	-	-	-	-	-	-	-	-	-	-	34.8	-	38.1	32.8

ft	177.2 ft			196.9 ft			216.5 ft			236.2 ft		
	87°-85°	75°	65°	87°-85°	75°	65°	87°-85°	75°	65°	87°-85°	75°	65°
	1,000 lb											
62.3	158.1	-	-	-	-	-	-	-	-	-	-	-
65.6	156.1	-	-	134.9	-	-	-	-	-	-	-	-
72.2	151.5	-	-	132.1	-	-	114.2	-	-	-	-	-
75.5	143.0	-	-	131.2	-	-	113.1	-	-	96.3	-	-
78.7	134.5	-	-	129.9	-	-	112.0	-	-	95.7	-	-
85.3	120.6	-	-	119.3	-	-	110.0	-	-	94.1	-	-
91.9	108.9	-	-	107.6	-	-	107.1	-	-	92.8	-	-
98.4	99.0	-	-	97.9	-	-	97.2	-	-	91.1	-	-
111.5	83.3	-	-	82.0	-	-	81.4	-	-	79.8	-	-
118.1	76.9	68.1	-	75.6	-	-	75.0	-	-	73.4	-	-
124.7	71.2	63.1	-	69.9	-	-	69.2	-	-	67.7	-	-
128.0	68.7	60.6	-	67.4	59.3	-	66.8	-	-	65.1	-	-
137.8	61.7	54.5	-	60.4	52.9	-	59.7	52.0	-	58.2	-	-
144.4	57.8	50.7	-	56.4	49.2	-	55.8	48.3	-	54.0	46.3	-
150.9	54.0	47.4	-	52.7	45.9	-	52.0	45.0	-	50.5	42.8	-
160.8	49.4	43.0	37.3	48.0	41.3	-	47.2	40.2	-	45.6	38.3	-
164.0	47.8	41.7	35.9	46.5	39.9	-	45.6	38.8	-	44.1	36.8	-
173.9	44.0	37.8	32.4	42.5	36.0	30.4	41.7	34.9	-	40.1	33.0	-
177.2	42.8	36.6	31.3	41.2	34.8	29.3	40.3	33.7	-	38.8	31.7	-
183.7	-	34.4	29.3	39.0	32.6	27.3	38.1	31.5	26.2	36.4	29.3	-
190.3	-	32.4	27.3	36.8	30.6	25.6	35.9	29.5	24.3	34.0	27.3	-
196.9	-	30.6	25.8	34.1	28.7	23.8	34.0	27.6	22.7	32.0	25.4	20.3
203.4	-	29.1	24.3	32.2	26.9	22.3	32.0	25.8	20.9	30.0	23.6	18.7
216.5	-	-	21.6	-	23.8	19.4	28.7	22.7	18.1	26.5	20.5	15.9
229.7	-	-	-	-	-	17.0	-	20.1	15.7	23.4	17.9	13.4
242.8	-	-	-	-	-	-	-	-	13.4	20.1	15.4	11.2
255.9	-	-	-	-	-	-	-	-	11.7	-	13.4	9.3

Remarks: Main boom angle 87°-85°, 75° and 65°, capacities for intermediate boom positions are calculated by the crane control system IC-1

SW

308,600 lb + 88,200 lb ZB  23'9" 360° ISO

 118.1 ft

ft	78.7 ft			98.4 ft			118.1 ft			137.8 ft			157.5 ft		
	87°-85°	75°	65°	87°-85°	75°	65°	87°-85°	75°	65°	87°-85°	75°	65°	87°-85°	75°	65°
	1,000 lb														
39.4	316.4	-	-	-	-	-	-	-	-	-	-	-	-	-	-
42.7	304.2	-	-	267.9	-	-	-	-	-	-	-	-	-	-	-
45.9	289.9	-	-	260.1	-	-	-	-	-	-	-	-	-	-	-
49.2	263.5	-	-	252.4	-	-	222.7	-	-	-	-	-	-	-	-
52.5	240.3	-	-	239.2	-	-	217.8	-	-	194.0	-	-	-	-	-
59.1	204.8	-	-	203.5	-	-	202.2	-	-	186.1	-	-	163.4	-	-
65.6	177.7	-	-	176.6	-	-	175.0	-	-	173.5	-	-	157.6	-	-
72.2	156.5	-	-	155.4	-	-	153.9	-	-	152.3	-	-	151.5	-	-
78.7	139.8	125.2	-	138.5	-	-	136.9	-	-	135.4	-	-	134.5	-	-
85.3	125.9	112.7	-	124.6	-	-	123.0	-	-	121.7	-	-	120.6	-	-
88.6	118.1	107.4	-	118.8	105.6	-	117.3	-	-	115.9	-	-	114.9	-	-
91.9	112.4	102.1	-	113.1	100.3	-	111.6	-	-	110.0	-	-	109.1	-	-
98.4	-	93.3	-	103.4	91.5	-	101.9	89.7	-	100.3	-	-	99.2	-	-
105.0	-	85.8	-	93.3	84.0	-	93.5	82.0	-	91.9	80.2	-	90.8	-	-
111.5	-	79.1	71.2	86.2	77.4	-	86.2	75.6	-	84.7	73.6	-	83.6	-	-
114.8	-	-	68.6	-	74.5	-	83.0	72.8	-	81.5	70.8	-	80.4	69.4	-
121.4	-	-	63.7	-	69.2	61.7	77.2	67.4	-	75.5	65.5	-	74.4	64.3	-
124.7	-	-	61.5	-	66.8	59.5	74.5	64.8	-	72.8	63.1	-	71.7	61.7	-
134.5	-	-	-	-	-	53.6	-	58.4	51.4	65.6	56.4	-	64.4	55.1	-
137.8	-	-	-	-	-	51.8	-	56.4	49.6	63.5	54.5	-	62.2	53.1	-
147.6	-	-	-	-	-	47.2	-	51.4	44.8	56.3	49.4	42.3	56.4	48.1	-
150.9	-	-	-	-	-	45.9	-	49.8	43.2	54.7	47.8	40.8	54.7	46.5	-
157.5	-	-	-	-	-	-	-	-	40.6	-	45.0	38.1	51.4	43.4	36.4
164.0	-	-	-	-	-	-	-	-	38.1	-	42.3	35.7	48.5	40.8	33.7
177.2	-	-	-	-	-	-	-	-	-	-	-	31.3	-	35.9	29.5
190.3	-	-	-	-	-	-	-	-	-	-	-	28.0	-	32.2	25.8

ft	177.2 ft			196.9 ft			216.5 ft			236.2 ft		
	87°-85°	75°	65°	87°-85°	75°	65°	87°-85°	75°	65°	87°-85°	75°	65°
	1,000 lb											
62.3	141.1	-	-	-	-	-	-	-	-	-	-	-
68.9	137.1	-	-	118.8	-	-	-	-	-	-	-	-
72.2	137.3	-	-	117.3	-	-	102.7	-	-	-	-	-
78.7	131.0	-	-	116.2	-	-	100.3	-	-	85.5	-	-
85.3	119.7	-	-	113.3	-	-	99.6	-	-	84.0	-	-
91.9	108.2	-	-	106.9	-	-	97.2	-	-	82.9	-	-
98.4	98.3	-	-	97.2	-	-	94.1	-	-	81.6	-	-
111.5	82.7	-	-	81.4	-	-	80.9	-	-	77.2	-	-
124.7	70.5	60.4	-	69.4	-	-	68.8	-	-	67.0	-	-
134.5	63.5	54.0	-	62.2	52.5	-	61.5	-	-	59.9	-	-
137.8	61.3	52.0	-	60.0	50.5	-	59.3	-	-	57.5	-	-
141.1	59.2	50.3	-	57.9	48.7	-	57.2	47.6	-	55.6	-	-
150.9	53.6	45.2	-	52.2	43.4	-	51.6	42.3	-	49.8	40.1	-
164.0	47.4	39.2	-	45.9	37.5	-	45.2	36.6	-	43.7	34.4	-
170.6	44.9	36.8	30.0	43.3	35.1	-	42.5	34.0	-	41.0	31.7	-
177.2	42.3	34.4	28.0	40.8	32.6	-	39.9	31.5	-	38.4	29.5	-
183.7	-	32.4	26.0	38.6	30.4	24.0	37.7	29.5	-	35.9	27.3	-
190.3	-	30.4	24.3	36.4	28.4	22.3	35.5	27.6	-	33.5	25.4	-
193.6	-	29.5	23.4	35.4	27.6	21.4	34.5	26.6	20.3	32.5	24.4	-
203.4	-	26.9	21.2	32.6	24.9	19.2	31.5	23.8	18.1	29.5	21.8	-
206.7	-	-	20.5	-	24.1	18.4	30.6	23.0	17.3	28.7	20.9	15.0
216.5	-	-	18.5	-	22.0	16.5	28.0	20.9	15.2	26.0	18.7	13.0
229.7	-	-	-	-	-	14.1	-	18.3	13.0	22.9	16.1	10.6
242.8	-	-	-	-	-	12.3	-	16.1	10.8	19.4	13.7	8.6
255.9	-	-	-	-	-	-	-	-	9.3	-	11.7	6.8

Remarks: Main boom angle 87°-85°, 75° and 65°, capacities for intermediate boom positions are calculated by the crane control system IC-1

SW

308,600 lb + 88,200 lb ZB 23'9" 360° ISO

137.8 ft


ft	78.7 ft			98.4 ft			118.1 ft			137.8 ft			157.5 ft		
	87°-85°	75°	65°	87°-85°	75°	65°	87°-85°	75°	65°	87°-85°	75°	65°	87°-85°	75°	65°
	1,000 lb														
39.4	291.0	-	-	-	-	-	-	-	-	-	-	-	-	-	-
45.9	272.3	-	-	240.3	-	-	-	-	-	-	-	-	-	-	-
49.2	261.2	-	-	233.7	-	-	204.8	-	-	-	-	-	-	-	-
52.5	239.2	-	-	232.6	-	-	200.6	-	-	-	-	-	-	-	-
55.8	220.2	-	-	218.9	-	-	196.4	-	-	174.6	-	-	-	-	-
59.1	203.7	-	-	202.4	-	-	196.2	-	-	171.3	-	-	149.9	-	-
65.6	176.6	-	-	175.5	-	-	173.9	-	-	168.0	-	-	145.1	-	-
72.2	155.6	-	-	154.3	-	-	153.0	-	-	151.5	-	-	143.1	-	-
78.7	138.7	-	-	137.6	-	-	136.0	-	-	134.5	-	-	133.6	-	-
85.3	125.0	108.7	-	123.7	-	-	122.1	-	-	120.8	-	-	119.9	-	-
91.9	111.1	98.5	-	112.2	-	-	110.7	-	-	109.1	-	-	108.2	-	-
95.1	-	94.1	-	107.4	92.4	-	105.8	-	-	104.3	-	-	103.4	-	-
98.4	-	89.7	-	102.5	88.2	-	101.0	-	-	99.4	-	-	98.5	-	-
105.0	-	82.5	-	91.9	80.7	-	92.6	78.9	-	91.1	-	-	90.2	-	-
111.5	-	76.1	-	84.9	74.3	-	85.3	72.5	-	83.8	70.5	-	82.9	-	-
121.4	-	-	59.3	-	66.4	-	76.4	64.4	-	74.8	62.6	-	73.7	61.3	-
124.7	-	-	57.1	-	63.9	-	73.6	61.9	-	72.1	60.2	-	71.0	58.9	-
131.2	-	-	53.1	-	59.7	50.9	-	57.8	-	67.0	55.8	-	65.9	54.5	-
137.8	-	-	49.8	-	56.0	47.4	-	53.8	-	62.8	52.0	-	61.5	50.7	-
144.4	-	-	-	-	-	44.3	-	50.5	41.7	57.1	48.5	-	57.5	47.2	-
150.9	-	-	-	-	-	41.4	-	47.4	38.8	53.8	45.4	-	54.0	43.9	-
154.2	-	-	-	-	-	-	-	-	37.7	-	44.0	35.3	52.5	42.4	-
164.0	-	-	-	-	-	-	-	-	34.0	-	39.9	31.5	48.1	38.1	-
167.3	-	-	-	-	-	-	-	-	33.1	-	38.7	30.4	-	36.9	28.7
177.2	-	-	-	-	-	-	-	-	30.2	-	35.5	27.6	-	33.5	25.8
190.3	-	-	-	-	-	-	-	-	-	-	-	24.3	-	29.8	22.3
216.5	-	-	-	-	-	-	-	-	-	-	-	-	-	-	17.2

ft	177.2 ft			196.9 ft			216.5 ft			236.2 ft		
	87°-85°	75°	65°	87°-85°	75°	65°	87°-85°	75°	65°	87°-85°	75°	65°
	1,000 lb											
65.6	128.3	-	-	-	-	-	-	-	-	-	-	-
68.9	126.5	-	-	109.8	-	-	-	-	-	-	-	-
75.5	124.8	-	-	107.1	-	-	93.7	-	-	-	-	-
78.7	122.8	-	-	105.8	-	-	92.8	-	-	79.1	-	-
85.3	116.8	-	-	104.5	-	-	91.9	-	-	77.6	-	-
91.9	107.4	-	-	101.6	-	-	89.7	-	-	76.9	-	-
98.4	97.7	-	-	96.3	-	-	87.5	-	-	75.4	-	-
111.5	82.0	-	-	80.7	-	-	80.2	-	-	72.1	-	-
124.7	70.1	-	-	68.8	-	-	68.1	-	-	66.6	-	-
131.2	65.0	53.4	-	63.7	-	-	63.3	-	-	61.5	-	-
137.8	60.6	49.4	-	59.3	47.6	-	58.6	-	-	57.1	-	-
147.6	54.9	44.1	-	53.6	42.3	-	52.9	41.2	-	51.3	-	-
150.9	53.1	42.5	-	51.8	40.6	-	51.1	39.7	-	49.4	-	-
157.5	49.8	39.5	-	48.5	37.7	-	47.8	36.8	-	46.1	34.4	-
164.0	46.7	36.8	-	45.4	35.1	-	44.8	34.0	-	43.2	31.7	-
177.2	41.7	32.0	-	40.3	30.2	-	39.5	29.3	-	37.7	27.1	-
180.4	39.1	31.0	23.1	39.2	29.2	-	38.4	28.2	-	36.5	26.0	-
190.3	36.2	28.2	20.7	35.9	26.2	18.7	35.1	25.4	-	33.1	22.9	-
203.4	-	24.9	17.9	32.0	22.9	15.9	31.1	21.8	14.6	28.9	19.6	-
216.5	-	-	15.4	-	20.1	13.2	27.6	19.0	12.1	25.6	16.8	9.7
229.7	-	-	13.2	-	17.6	11.0	-	16.3	9.9	22.5	14.1	7.5
242.8	-	-	-	-	-	9.3	-	14.1	7.9	20.1	11.9	5.7
255.9	-	-	-	-	-	7.9	-	-	6.4	-	9.9	-
269.0	-	-	-	-	-	-	-	-	-	-	8.4	-

Remarks: Main boom angle 87°-85°, 75° and 65°, capacities for intermediate boom positions are calculated by the crane control system IC-1

SW

308,600 lb + 88,200 lb ZB  23'9" 360° ISO

 157.5 ft

ft	78.7 ft			98.4 ft			118.1 ft			137.8 ft			157.5 ft		
	87°-85°	75°	65°	87°-85°	75°	65°	87°-85°	75°	65°	87°-85°	75°	65°	87°-85°	75°	65°
	1,000 lb														
42.7	253.5	-	-	-	-	-	-	-	-	-	-	-	-	-	-
45.9	246.9	-	-	217.2	-	-	-	-	-	-	-	-	-	-	-
52.5	231.5	-	-	205.5	-	-	181.4	-	-	-	-	-	-	-	-
55.8	218.9	-	-	205.5	-	-	177.3	-	-	157.4	-	-	-	-	-
59.1	202.4	-	-	196.0	-	-	173.1	-	-	154.5	-	-	-	-	-
62.3	188.1	-	-	187.0	-	-	172.8	-	-	151.7	-	-	133.4	-	-
65.6	175.5	-	-	174.4	-	-	168.2	-	-	151.7	-	-	131.2	-	-
72.2	154.5	-	-	153.2	-	-	151.9	-	-	145.5	-	-	128.8	-	-
78.7	137.8	-	-	136.5	-	-	135.1	-	-	133.6	-	-	124.1	-	-
85.3	123.9	-	-	122.8	-	-	121.3	-	-	119.7	-	-	116.8	-	-
91.9	112.7	94.8	-	111.3	-	-	109.8	-	-	108.2	-	-	107.6	-	-
101.7	-	82.7	-	97.6	81.1	-	95.9	-	-	94.5	-	-	93.6	-	-
108.3	-	76.1	-	87.2	74.3	-	88.2	72.3	-	86.8	-	-	85.9	-	-
111.5	-	73.0	-	83.8	71.2	-	84.7	69.2	-	83.1	-	-	82.2	-	-
118.1	-	67.7	-	-	65.9	-	78.5	63.9	-	76.7	61.9	-	75.8	-	-
124.7	-	63.1	-	-	61.1	-	73.0	59.3	-	71.2	57.3	-	70.3	-	-
128.0	-	-	50.3	-	59.1	-	-	57.1	-	68.8	55.1	-	67.8	53.8	-
137.8	-	-	45.0	-	53.4	-	-	51.4	-	61.9	49.2	-	60.8	47.6	-
141.1	-	-	43.4	-	-	41.2	-	49.6	-	58.0	47.4	-	59.0	46.0	-
150.9	-	-	39.5	-	-	37.0	-	44.8	-	52.7	42.5	-	53.6	41.0	-
154.2	-	-	-	-	-	35.7	-	43.4	33.3	-	41.2	-	51.9	39.7	-
157.5	-	-	-	-	-	34.6	-	42.1	32.2	-	39.7	-	50.3	38.1	-
164.0	-	-	-	-	-	32.6	-	-	30.0	-	37.3	27.6	47.4	35.7	-
177.2	-	-	-	-	-	-	-	-	26.2	-	32.8	23.6	-	31.1	21.8
183.7	-	-	-	-	-	-	-	-	24.7	-	-	22.0	-	29.1	20.3
190.3	-	-	-	-	-	-	-	-	-	-	-	20.5	-	27.3	18.7
203.4	-	-	-	-	-	-	-	-	-	-	-	18.1	-	-	16.1
216.5	-	-	-	-	-	-	-	-	-	-	-	-	-	-	13.9

ft	177.2 ft			196.9 ft			216.5 ft			236.2 ft		
	87°-85°	75°	65°	87°-85°	75°	65°	87°-85°	75°	65°	87°-85°	75°	65°
	1,000 lb											
65.6	115.3	-	-	-	-	-	-	-	-	-	-	-
72.2	112.0	-	-	97.7	-	-	-	-	-	-	-	-
75.5	110.5	-	-	96.3	-	-	83.8	-	-	-	-	-
82.0	108.7	-	-	95.0	-	-	82.0	-	-	70.5	-	-
91.9	103.2	-	-	91.3	-	-	80.0	-	-	68.3	-	-
98.4	96.8	-	-	88.8	-	-	78.0	-	-	67.7	-	-
111.5	81.4	-	-	80.0	-	-	73.9	-	-	64.6	-	-
124.7	69.4	-	-	68.1	-	-	67.7	-	-	61.1	-	-
134.5	62.2	48.3	-	61.0	-	-	60.4	-	-	57.3	-	-
137.8	60.0	46.3	-	58.6	-	-	58.2	-	-	56.4	-	-
144.4	56.0	42.8	-	54.7	41.0	-	54.2	-	-	52.5	-	-
150.9	52.5	39.7	-	51.1	37.9	-	50.5	-	-	48.9	-	-
154.2	50.8	38.1	-	49.5	36.4	-	48.8	35.5	-	47.3	-	-
164.0	46.3	34.2	-	45.0	32.4	-	44.3	31.3	-	42.5	29.1	-
190.3	35.3	25.8	17.2	35.3	24.0	-	34.4	22.9	-	32.4	20.7	-
200.1	-	23.5	15.0	32.5	21.5	13.0	31.4	20.4	-	29.4	18.2	-
203.4	-	22.7	14.3	31.5	20.7	12.3	30.4	19.6	-	28.4	17.4	-
213.3	-	20.6	12.6	-	18.5	10.6	27.9	17.5	9.5	25.8	15.2	-
216.5	-	20.1	12.1	-	17.9	10.1	27.1	16.8	8.8	24.9	14.6	-
229.7	-	-	10.1	-	15.7	8.2	22.5	14.3	6.8	22.0	12.1	-
242.8	-	-	8.6	-	-	6.4	-	12.3	-	19.4	9.9	-
255.9	-	-	-	-	-	-	-	10.6	-	-	8.2	-
269.0	-	-	-	-	-	-	-	-	-	-	6.6	-

Remarks: Main boom angle 87°-85°, 75° and 65°, capacities for intermediate boom positions are calculated by the crane control system IC-1

SW

308,600 lb + 88,200 lb ZB 23'9" 360° ISO

177.2 ft

ft	78.7 ft			98.4 ft			118.1 ft			137.8 ft			157.5 ft		
	87°-85°	75°	65°	87°-85°	75°	65°	87°-85°	75°	65°	87°-85°	75°	65°	87°-85°	75°	65°
	1,000 lb														
42.7	228.2	-	-	-	-	-	-	-	-	-	-	-	-	-	-
49.2	216.7	-	-	191.4	-	-	-	-	-	-	-	-	-	-	-
52.5	215.6	-	-	187.0	-	-	163.8	-	-	-	-	-	-	-	-
59.1	197.5	-	-	181.2	-	-	157.0	-	-	139.3	-	-	-	-	-
62.3	186.7	-	-	176.6	-	-	156.1	-	-	136.9	-	-	119.5	-	-
72.2	153.4	-	-	152.1	-	-	145.7	-	-	131.2	-	-	113.8	-	-
78.7	136.7	-	-	135.4	-	-	134.0	-	-	125.9	-	-	111.6	-	-
85.3	123.0	-	-	121.7	-	-	120.4	-	-	117.7	-	-	107.4	-	-
91.9	111.6	-	-	110.5	-	-	108.9	-	-	107.4	-	-	102.7	-	-
98.4	98.8	82.5	-	100.8	-	-	99.2	-	-	97.7	-	-	97.0	-	-
105.0	-	75.4	-	92.6	73.9	-	90.8	-	-	89.5	-	-	88.6	-	-
111.5	-	69.4	-	85.5	67.7	-	83.8	-	-	82.2	-	-	81.4	-	-
114.8	-	66.8	-	-	65.3	-	80.7	63.3	-	79.1	-	-	78.3	-	-
124.7	-	59.7	-	-	58.0	-	72.1	56.0	-	70.5	53.8	-	69.7	-	-
134.5	-	-	-	-	52.0	-	62.6	49.8	-	63.5	47.6	-	62.4	46.3	-
137.8	-	-	39.7	-	50.3	-	60.6	48.1	-	61.3	45.9	-	60.2	44.3	-
144.4	-	-	36.8	-	47.0	-	-	44.8	-	57.5	42.3	-	56.4	41.0	-
150.9	-	-	34.4	-	-	32.2	-	41.7	-	51.6	39.5	-	52.9	37.9	-
160.8	-	-	-	-	-	28.9	-	37.9	26.5	-	35.5	-	48.2	34.0	-
164.0	-	-	-	-	-	28.0	-	36.6	25.4	-	34.2	-	46.7	32.6	-
173.9	-	-	-	-	-	25.4	-	-	22.7	-	31.0	20.3	-	29.4	-
177.2	-	-	-	-	-	24.7	-	-	21.8	-	30.0	19.4	-	28.4	-
187.0	-	-	-	-	-	-	-	-	19.8	-	-	17.2	-	25.7	15.4
190.3	-	-	-	-	-	-	-	-	19.2	-	-	16.5	-	24.9	14.8
203.4	-	-	-	-	-	-	-	-	-	-	-	14.1	-	21.8	12.3
216.5	-	-	-	-	-	-	-	-	-	-	-	12.3	-	-	10.1
229.7	-	-	-	-	-	-	-	-	-	-	-	-	-	-	8.6

ft	177.2 ft			196.9 ft			216.5 ft			236.2 ft		
	87°-85°	75°	65°	87°-85°	75°	65°	87°-85°	75°	65°	87°-85°	75°	65°
	1,000 lb											
68.9	102.5	-	-	-	-	-	-	-	-	-	-	-
72.2	101.2	-	-	87.3	-	-	-	-	-	-	-	-
75.5	99.6	-	-	86.0	-	-	75.6	-	-	-	-	-
82.0	97.8	-	-	83.7	-	-	73.9	-	-	61.7	-	-
91.9	93.3	-	-	81.1	-	-	71.9	-	-	59.7	-	-
98.4	89.9	-	-	78.9	-	-	69.9	-	-	58.6	-	-
111.5	80.5	-	-	73.6	-	-	66.1	-	-	55.8	-	-
124.7	68.8	-	-	67.2	-	-	61.9	-	-	52.7	-	-
137.8	59.3	-	-	58.2	-	-	56.9	-	-	49.4	-	-
141.1	57.3	41.2	-	56.2	-	-	55.2	-	-	48.5	-	-
150.9	51.8	36.6	-	50.5	34.8	-	50.0	-	-	45.4	-	-
160.8	47.1	32.6	-	45.9	30.6	-	45.2	29.8	-	42.9	-	-
164.0	45.6	31.3	-	44.3	29.5	-	43.7	28.4	-	42.1	-	-
170.6	43.1	29.1	-	41.8	27.3	-	41.1	26.2	-	39.4	23.8	-
177.2	40.6	26.9	-	39.2	25.1	-	38.6	24.3	-	36.6	21.8	-
190.3	34.2	23.4	-	34.6	21.4	-	34.0	20.5	-	32.0	18.1	-
196.9	-	21.6	11.9	32.7	19.8	-	32.0	18.7	-	29.9	16.5	-
203.4	-	20.3	10.6	30.9	18.3	-	30.0	17.4	-	27.8	15.0	-
210.0	-	19.0	9.5	-	17.0	7.5	28.2	15.9	-	26.1	13.7	-
216.5	-	17.6	8.6	-	15.7	6.6	26.5	14.6	-	24.5	12.3	-
223.1	-	-	7.7	-	14.6	5.5	23.0	13.4	-	22.9	11.0	-
229.7	-	-	6.8	-	13.4	-	21.6	12.3	-	21.4	9.9	-
242.8	-	-	-	-	11.5	-	-	10.4	-	19.0	7.9	-
255.9	-	-	-	-	-	-	-	8.6	-	-	6.2	-

Remarks: Main boom angle 87°-85°, 75° and 65°, capacities for intermediate boom positions are calculated by the crane control system IC-1

SW

308,600 lb + 88,200 lb ZB  23'9" 360° ISO

 196.9 ft

ft	78.7 ft			98.4 ft			118.1 ft			137.8 ft			157.5 ft		
	87°-85°	75°	65°	87°-85°	75°	65°	87°-85°	75°	65°	87°-85°	75°	65°	87°-85°	75°	65°
	1,000 lb														
45.9	194.9	-	-	-	-	-	-	-	-	-	-	-	-	-	-
49.2	190.7	-	-	168.4	-	-	-	-	-	-	-	-	-	-	-
52.5	186.5	-	-	165.6	-	-	145.5	-	-	-	-	-	-	-	-
59.1	183.4	-	-	162.9	-	-	140.7	-	-	124.3	-	-	-	-	-
62.3	177.9	-	-	159.0	-	-	137.8	-	-	122.1	-	-	107.1	-	-
65.6	167.3	-	-	155.0	-	-	137.1	-	-	119.7	-	-	105.4	-	-
72.2	152.1	-	-	145.5	-	-	131.4	-	-	117.1	-	-	102.1	-	-
78.7	135.4	-	-	134.3	-	-	125.4	-	-	112.4	-	-	99.9	-	-
85.3	121.9	-	-	120.8	-	-	117.1	-	-	107.8	-	-	96.3	-	-
91.9	110.5	-	-	109.3	-	-	107.8	-	-	101.9	-	-	92.6	-	-
98.4	97.2	-	-	99.6	-	-	98.3	-	-	96.6	-	-	88.8	-	-
101.7	-	75.0	-	95.6	-	-	94.1	-	-	92.6	-	-	86.3	-	-
111.5	-	65.7	-	84.4	64.2	-	82.9	-	-	81.4	-	-	80.0	-	-
121.4	-	58.4	-	-	56.7	-	74.0	54.2	-	72.4	-	-	71.5	-	-
124.7	-	56.4	-	-	54.5	-	71.2	52.0	-	69.7	-	-	68.8	-	-
131.2	-	52.5	-	-	50.3	-	63.5	48.1	-	64.8	45.9	-	63.9	-	-
137.8	-	-	-	-	46.7	-	59.3	44.5	-	60.6	42.1	-	59.5	40.8	-
147.6	-	-	30.4	-	42.1	-	-	39.7	-	55.0	37.5	-	54.0	36.2	-
150.9	-	-	29.3	-	40.8	-	-	38.4	-	53.4	36.2	-	52.2	34.6	-
160.8	-	-	26.5	-	-	24.0	-	34.6	-	-	32.3	-	47.5	30.9	-
164.0	-	-	25.6	-	-	23.1	-	33.5	-	-	31.1	-	46.1	29.8	-
170.6	-	-	-	-	-	21.4	-	-	19.0	-	29.1	-	41.2	27.6	-
177.2	-	-	-	-	-	20.1	-	-	17.4	-	27.1	-	38.8	25.6	-
183.7	-	-	-	-	-	18.7	-	-	16.1	-	25.4	13.4	-	23.8	-
190.3	-	-	-	-	-	-	-	-	14.8	-	23.8	12.3	-	22.0	-
193.6	-	-	-	-	-	-	-	-	14.3	-	-	11.7	-	21.4	9.9
203.4	-	-	-	-	-	-	-	-	12.8	-	-	10.1	-	19.2	8.4
216.5	-	-	-	-	-	-	-	-	-	-	-	8.4	-	-	6.4
223.1	-	-	-	-	-	-	-	-	-	-	-	-	-	-	5.7

ft	177.2 ft			196.9 ft			216.5 ft			236.2 ft		
	87°-85°	75°	65°	87°-85°	75°	65°	87°-85°	75°	65°	87°-85°	75°	65°
	1,000 lb											
68.9	90.8	-	-	-	-	-	-	-	-	-	-	-
72.2	89.5	-	-	77.8	-	-	-	-	-	-	-	-
78.7	86.9	-	-	75.8	-	-	66.6	-	-	-	-	-
85.3	85.1	-	-	73.9	-	-	64.8	-	-	54.0	-	-
91.9	82.5	-	-	72.3	-	-	63.3	-	-	52.7	-	-
98.4	79.6	-	-	70.1	-	-	61.9	-	-	51.6	-	-
111.5	73.6	-	-	65.5	-	-	58.6	-	-	48.9	-	-
124.7	66.8	-	-	60.8	-	-	54.9	-	-	46.1	-	-
137.8	58.6	-	-	55.3	-	-	50.9	-	-	43.0	-	-
147.6	52.9	34.6	-	51.6	-	-	47.7	-	-	40.8	-	-
150.9	51.1	33.3	-	50.0	-	-	46.5	-	-	40.1	-	-
157.5	48.1	30.6	-	46.7	28.9	-	44.8	-	-	38.6	-	-
164.0	45.0	28.2	-	43.9	26.5	-	42.8	-	-	37.0	-	-
167.3	43.7	27.1	-	42.5	25.4	-	41.6	24.0	-	36.0	-	-
173.9	41.2	25.0	-	39.9	23.3	-	39.1	22.2	-	34.3	19.0	-
177.2	39.9	24.0	-	38.6	22.3	-	37.9	21.2	-	33.5	18.1	-
190.3	33.3	20.7	-	34.2	18.7	-	33.3	17.9	-	30.9	15.0	-
203.4	-	17.6	-	30.2	15.9	-	29.3	14.8	-	27.3	12.3	-
216.5	-	15.2	-	-	13.2	-	26.0	12.3	-	23.8	9.9	-
229.7	-	13.2	-	-	11.0	-	20.9	10.1	-	20.9	7.7	-
242.8	-	-	-	-	9.3	-	-	8.2	-	18.5	5.7	-
255.9	-	-	-	-	-	-	-	6.4	-	-	-	-

Remarks: Main boom angle 87°-85°, 75° and 65°, capacities for intermediate boom positions are calculated by the crane control system IC-1

SW

308,600 lb + 88,200 lb ZB 23'9" 360° ISO

216.5 ft


	78.7 ft			98.4 ft			118.1 ft			137.8 ft			157.5 ft		
	87°-85°	75°	65°	87°-85°	75°	65°	87°-85°	75°	65°	87°-85°	75°	65°	87°-85°	75°	65°
ft	1,000 lb														
45.9	159.0	-	-	-	-	-	-	-	-	-	-	-	-	-	-
49.2	154.1	-	-	136.0	-	-	-	-	-	-	-	-	-	-	-
52.5	149.0	-	-	132.7	-	-	-	-	-	-	-	-	-	-	-
55.8	147.7	-	-	129.4	-	-	113.3	-	-	-	-	-	-	-	-
59.1	143.5	-	-	126.1	-	-	110.9	-	-	98.5	-	-	-	-	-
65.6	135.1	-	-	121.5	-	-	106.0	-	-	94.8	-	-	82.0	-	-
72.2	127.0	-	-	115.3	-	-	102.5	-	-	91.7	-	-	79.1	-	-
78.7	119.0	-	-	108.9	-	-	97.7	-	-	87.7	-	-	76.5	-	-
85.3	111.1	-	-	103.0	-	-	92.8	-	-	83.8	-	-	73.6	-	-
91.9	104.3	-	-	97.0	-	-	88.2	-	-	80.0	-	-	70.5	-	-
98.4	95.5	-	-	91.3	-	-	83.6	-	-	76.3	-	-	67.5	-	-
108.3	-	64.8	-	82.9	-	-	76.9	-	-	70.8	-	-	62.9	-	-
111.5	-	61.9	-	79.8	-	-	74.7	-	-	69.0	-	-	61.5	-	-
118.1	-	56.9	-	73.6	55.1	-	71.0	-	-	65.3	-	-	58.6	-	-
124.7	-	52.7	-	-	50.7	-	66.8	-	-	61.7	-	-	55.8	-	-
128.0	-	50.7	-	-	48.7	-	64.5	46.5	-	60.2	-	-	54.3	-	-
134.5	-	47.0	-	-	45.0	-	60.2	42.8	-	57.2	40.6	-	51.5	-	-
137.8	-	45.4	-	-	43.4	-	58.2	41.0	-	55.8	38.8	-	50.3	-	-
144.4	-	-	-	-	40.3	-	-	37.9	-	52.7	35.7	-	47.8	34.4	-
150.9	-	-	-	-	37.5	-	-	35.3	-	49.4	32.8	-	45.4	31.5	-
157.5	-	-	22.5	-	-	-	-	32.6	-	-	30.4	-	43.2	29.1	-
164.0	-	-	20.9	-	-	-	-	30.4	-	-	28.2	-	40.8	26.9	-
167.3	-	-	20.1	-	-	17.9	-	29.4	-	-	27.2	-	39.7	25.8	-
170.6	-	-	19.4	-	-	17.2	-	28.4	-	-	26.2	-	38.6	24.7	-
177.2	-	-	-	-	-	15.7	-	26.9	-	-	24.3	-	36.4	22.9	-
180.4	-	-	-	-	-	15.2	-	-	12.6	-	23.5	-	-	22.0	-
190.3	-	-	-	-	-	13.4	-	-	10.8	-	21.2	8.4	-	19.6	-
203.4	-	-	-	-	-	-	-	-	8.8	-	-	6.4	-	16.8	-
210.0	-	-	-	-	-	-	-	-	8.2	-	-	-	-	15.7	-
216.5	-	-	-	-	-	-	-	-	-	-	-	-	-	14.8	-

	177.2 ft			196.9 ft			216.5 ft			236.2 ft		
	87°-85°	75°	65°	87°-85°	75°	65°	87°-85°	75°	65°	87°-85°	75°	65°
ft	1,000 lb											
68.9	71.7	-	-	-	-	-	-	-	-	-	-	-
75.5	69.0	-	-	57.8	-	-	-	-	-	-	-	-
78.7	67.9	-	-	56.9	-	-	49.8	-	-	-	-	-
85.3	65.9	-	-	54.9	-	-	48.3	-	-	40.8	-	-
91.9	63.3	-	-	53.1	-	-	46.7	-	-	39.5	-	-
98.4	60.8	-	-	51.1	-	-	45.2	-	-	38.4	-	-
111.5	55.8	-	-	47.2	-	-	41.9	-	-	35.7	-	-
124.7	51.1	-	-	43.4	-	-	38.8	-	-	33.1	-	-
137.8	46.5	-	-	39.7	-	-	35.7	-	-	30.4	-	-
150.9	42.1	-	-	35.9	-	-	32.4	-	-	27.8	-	-
154.2	41.1	28.9	-	34.9	-	-	31.6	-	-	27.1	-	-
164.0	38.4	25.4	-	32.6	23.1	-	29.3	-	-	25.1	-	-
170.6	36.4	23.4	-	31.2	21.2	-	28.1	19.4	-	23.9	-	-
177.2	34.4	21.4	-	29.8	19.6	-	26.9	17.6	-	22.7	-	-
180.4	33.5	20.5	-	29.0	18.7	-	26.3	16.9	-	22.0	13.7	-
190.3	30.6	18.1	-	26.7	16.3	-	24.5	14.8	-	20.5	11.7	-
203.4	-	15.2	-	23.8	13.4	-	22.0	12.3	-	18.5	9.3	-
216.5	-	13.0	-	20.9	11.0	-	19.6	9.9	-	16.5	7.1	-
223.1	-	11.9	-	-	9.9	-	18.2	9.0	-	15.5	6.2	-
229.7	-	11.0	-	-	9.0	-	17.0	7.9	-	14.6	-	-
242.8	-	-	-	-	7.3	-	-	6.2	-	12.6	-	-

Remarks: Main boom angle 87°-85°, 75° and 65°, capacities for intermediate boom positions are calculated by the crane control system IC-1

SW

308,600 lb + 88,200 lb ZB  23'9" 360° ISO

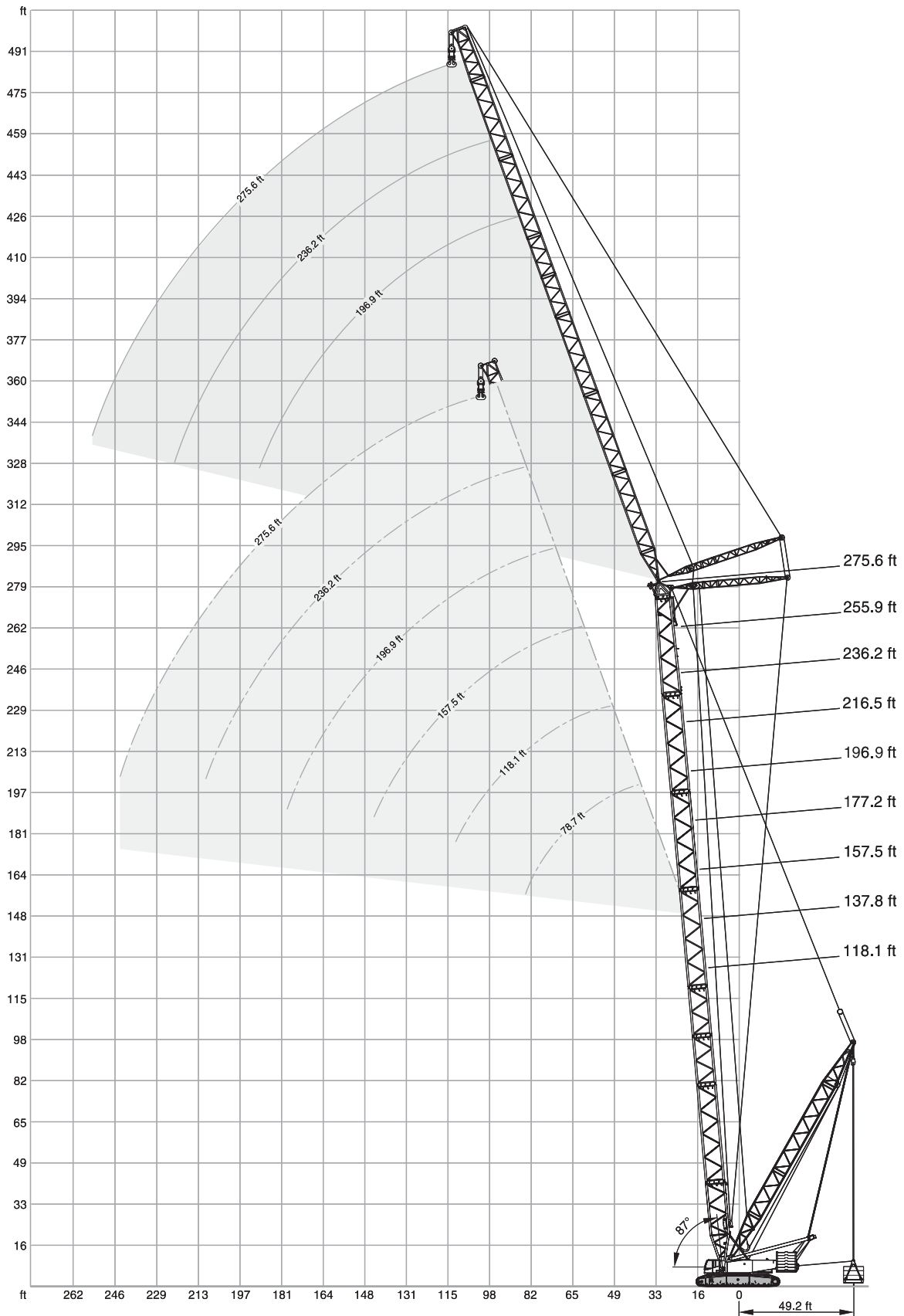
 236.2 ft

ft	78.7 ft			98.4 ft			118.1 ft			137.8 ft			157.5 ft		
	87°-85°	75°	65°	87°-85°	75°	65°	87°-85°	75°	65°	87°-85°	75°	65°	87°-85°	75°	65°
	1,000 lb														
45.9	151.9	-	-	-	-	-	-	-	-	-	-	-	-	-	-
52.5	145.7	-	-	128.5	-	-	-	-	-	-	-	-	-	-	-
55.8	143.7	-	-	126.8	-	-	110.7	-	-	-	-	-	-	-	-
59.1	146.4	-	-	125.2	-	-	109.3	-	-	-	-	-	-	-	-
62.3	144.6	-	-	123.5	-	-	108.2	-	-	95.7	-	-	-	-	-
65.6	142.6	-	-	125.9	-	-	106.9	-	-	94.6	-	-	82.0	-	-
72.2	138.7	-	-	123.0	-	-	107.8	-	-	92.8	-	-	80.5	-	-
78.7	129.0	-	-	119.7	-	-	105.4	-	-	93.5	-	-	78.9	-	-
85.3	119.5	-	-	112.4	-	-	103.0	-	-	91.7	-	-	79.6	-	-
91.9	108.2	-	-	107.1	-	-	100.1	-	-	89.5	-	-	78.0	-	-
98.4	93.9	-	-	97.7	-	-	93.5	-	-	87.5	-	-	76.5	-	-
111.5	-	-	-	82.7	-	-	81.1	-	-	79.4	-	-	73.0	-	-
114.8	-	54.9	-	75.2	-	-	78.0	-	-	76.4	-	-	70.7	-	-
118.1	-	52.5	-	72.3	-	-	75.0	-	-	73.4	-	-	68.3	-	-
124.7	-	48.3	-	-	46.3	-	69.4	-	-	67.9	-	-	66.4	-	-
134.5	-	43.0	-	-	41.0	-	58.9	38.8	-	61.1	-	-	60.2	-	-
137.8	-	41.4	-	-	39.5	-	56.9	37.0	-	58.9	-	-	58.0	-	-
144.4	-	38.6	-	-	36.4	-	-	34.2	-	55.1	32.0	-	54.2	-	-
150.9	-	-	-	-	34.0	-	-	31.5	-	51.8	29.3	-	50.7	28.0	-
157.5	-	-	-	-	31.5	-	-	29.1	-	45.4	26.9	-	47.6	25.6	-
164.0	-	-	-	-	29.5	-	-	27.1	-	-	24.9	-	44.8	23.4	-
167.3	-	-	15.0	-	-	-	-	26.1	-	-	23.9	-	40.2	22.5	-
177.2	-	-	13.0	-	-	10.8	-	23.6	-	-	21.2	-	36.6	19.6	-
183.7	-	-	12.1	-	-	9.7	-	-	-	-	19.6	-	-	18.1	-
190.3	-	-	-	-	-	8.8	-	-	-	-	18.1	-	-	16.5	-
196.9	-	-	-	-	-	7.9	-	-	-	-	16.8	-	-	15.2	-
203.4	-	-	-	-	-	7.3	-	-	-	-	-	-	-	14.1	-
216.5	-	-	-	-	-	-	-	-	-	-	-	-	-	11.9	-

ft	177.2 ft			196.9 ft			216.5 ft			236.2 ft		
	87°-85°	75°	65°	87°-85°	75°	65°	87°-85°	75°	65°	87°-85°	75°	65°
	1,000 lb											
72.2	71.0	-	-	-	-	-	-	-	-	-	-	-
75.5	70.3	-	-	59.3	-	-	-	-	-	-	-	-
78.7	69.9	-	-	58.9	-	-	-	-	-	-	-	-
82.0	69.2	-	-	58.2	-	-	50.9	-	-	-	-	-
85.3	68.6	-	-	57.8	-	-	50.5	-	-	42.5	-	-
91.9	69.2	-	-	58.2	-	-	49.8	-	-	42.1	-	-
98.4	67.9	-	-	57.3	-	-	50.0	-	-	41.4	-	-
111.5	65.5	-	-	55.6	-	-	48.7	-	-	40.8	-	-
124.7	61.3	-	-	53.4	-	-	46.7	-	-	39.5	-	-
137.8	56.9	-	-	50.3	-	-	44.8	-	-	37.7	-	-
150.9	49.8	-	-	46.1	-	-	41.9	-	-	35.9	-	-
160.8	45.2	22.5	-	43.5	-	-	39.1	-	-	34.2	-	-
164.0	43.7	21.6	-	42.3	-	-	38.6	-	-	33.3	-	-
170.6	41.2	19.8	-	39.8	17.2	-	37.3	-	-	31.6	-	-
177.2	38.8	18.3	-	37.3	15.7	-	35.9	-	-	30.6	-	-
180.4	37.7	17.4	-	36.1	14.8	-	34.9	13.0	-	30.2	-	-
187.0	35.5	16.0	-	33.8	13.4	-	33.0	11.7	-	29.3	8.4	-
190.3	34.4	15.2	-	32.6	12.8	-	32.0	11.0	-	28.9	7.9	-
203.4	-	12.6	-	28.9	10.6	-	28.0	8.8	-	25.6	5.7	-
216.5	-	10.4	-	22.7	8.4	-	24.7	6.8	-	22.7	-	-
223.1	-	9.3	-	-	7.5	-	23.4	6.0	-	21.3	-	-
229.7	-	8.4	-	-	6.4	-	22.0	-	-	19.8	-	-
255.9	-	-	-	-	-	-	-	-	-	12.6	-	-

Remarks: Main boom angle 87°-85°, 75° and 65°, capacities for intermediate boom positions are calculated by the crane control system IC-1

SWSL



SWSL

220,500 lb

29'6" - 49'3"

23'9"

360°

ISO

118.1 ft + 78.7 ft

ft	0 lb		0 lb - 308,600 lb				
	29'6"		29'6" - 49'3"				
	85°	85°	75°	65°	55°	45°	
	1,000 lb						
36.1	318.6*	418.9*	-	-	-	-	-
39.4	277.8*	418.9*	-	-	-	-	-
45.9	220.5*	418.9	-	-	-	-	-
52.5	182.5*	418.9	-	-	-	-	-
59.1	154.8*	391.3	-	-	-	-	-
65.6	133.8*	334.0	-	-	-	-	-
72.2	117.5*	291.0	-	-	-	-	-
78.7	104.5*	257.9	309.7	-	-	-	-
85.3	93.9*	229.3	280.0	-	-	-	-
91.9	82.9	194.2	255.7	-	-	-	-
98.4	-	-	235.9	-	-	-	-
111.5	-	-	203.0	194.9	-	-	-
124.7	-	-	-	170.6	-	-	-
131.2	-	-	-	160.7	-	-	-
137.8	-	-	-	-	145.7	-	-
150.9	-	-	-	-	131.0	-	-
157.5	-	-	-	-	-	-	-

118.1 ft + 118.1 ft

ft	0 lb		1,000 lb				
	45.9	218.5*	291.0*	-	-	-	-
52.5	179.9*	281.1	-	-	-	-	
59.1	152.1*	281.1	-	-	-	-	
65.6	131.2*	267.9	-	-	-	-	
72.2	114.9*	254.6	-	-	-	-	
78.7	101.9*	241.4	-	-	-	-	
85.3	91.1*	227.1	-	-	-	-	
91.9	82.2*	214.1	251.3	-	-	-	
98.4	74.5*	194.9	231.5	-	-	-	
111.5	62.6*	162.5	199.3	-	-	-	
124.7	53.6*	130.5	174.2	-	-	-	
131.2	48.3	114.4	163.8	156.5	-	-	
137.8	-	-	152.8	147.5	-	-	
150.9	-	-	124.8	132.1	-	-	
164.0	-	-	-	119.5	114.2	-	
177.2	-	-	-	-	104.1	-	
190.3	-	-	-	-	95.7	91.5	
203.4	-	-	-	-	-	84.4	
216.5	-	-	-	-	-	-	

Remarks

Main boom angle 85°, 75°, 65°, 55° and 45°; capacities for intermediate boom positions are calculated by the crane control system IC-1

* Main boom angle 87°

118.1 ft + 157.5 ft

ft	0 lb		0 lb - 308,600 lb				
	29'6"		29'6" - 49'3"				
	85°	85°	75°	65°	55°	45°	
	1,000 lb						
52.5	177.5*	207.2*	-	-	-	-	-
59.1	149.7*	207.2*	-	-	-	-	-
65.6	128.8*	210.1	-	-	-	-	-
72.2	112.4*	208.1	-	-	-	-	-
78.7	99.4*	205.3	-	-	-	-	-
85.3	88.6*	200.8	-	-	-	-	-
91.9	79.8*	195.8	-	-	-	-	-
98.4	72.1*	187.8	-	-	-	-	-
111.5	60.0*	162.5	190.0	-	-	-	-
124.7	50.7*	138.5	171.1	-	-	-	-
137.8	43.7*	119.7	151.2	-	-	-	-
150.9	37.7*	101.6	130.7	128.5	-	-	-
164.0	33.3*	84.2	113.5	115.7	-	-	-
177.2	-	-	99.6	105.2	-	-	-
190.3	-	-	82.2	96.1	91.5	-	-
203.4	-	-	-	88.6	84.0	-	-
216.5	-	-	-	-	77.6	-	-
223.1	-	-	-	-	-	71.2	-
229.7	-	-	-	-	-	68.6	-
242.8	-	-	-	-	-	63.9	-
255.9	-	-	-	-	-	-	-

118.1 ft + 196.9 ft

ft	0 lb		1,000 lb				
	62.3	136.5*	147.5*	-	-	-	-
65.6	126.8*	147.5*	-	-	-	-	
72.2	110.5*	146.6	-	-	-	-	
78.7	97.2*	146.6	-	-	-	-	
85.3	86.4*	144.0	-	-	-	-	
91.9	77.6*	141.5	-	-	-	-	
98.4	69.9*	138.9	-	-	-	-	
111.5	57.8*	132.9	-	-	-	-	
124.7	48.5*	126.5	132.9	-	-	-	
137.8	41.2*	118.6	132.9	-	-	-	
150.9	35.3*	103.6	129.0	-	-	-	
164.0	30.2*	91.3	112.2	-	-	-	
177.2	26.0*	80.2	98.5	102.1	-	-	
190.3	22.5*	68.8	87.1	93.0	-	-	
203.4	19.6*	57.8	77.6	85.3	-	-	
216.5	-	-	68.6	78.7	-	-	
229.7	-	-	-	72.8	68.6	-	
242.8	-	-	-	66.4	63.7	-	
255.9	-	-	-	-	59.3	55.8	
269.0	-	-	-	-	-	52.0	
282.2	-	-	-	-	-	48.7	

SWSL

220,500 lb
 29'6" - 49'3"
 23'9"
 360°
 ISO

118.1 ft + 236.2 ft

ft	0 lb		0 lb - 308,600 lb			
	29'6"		29'6" - 49'3"			
	85°	85°	75°	65°	55°	45°
	1,000 lb					
72.2	95.5*	99.2*	-	-	-	-
78.7	93.9*	99.2*	-	-	-	-
85.3	83.6*	98.5	-	-	-	-
91.9	75.0*	98.5	-	-	-	-
98.4	67.7*	97.4	-	-	-	-
111.5	55.6*	95.0	-	-	-	-
124.7	46.3*	92.8	-	-	-	-
137.8	39.0*	89.9	-	-	-	-
144.4	35.7*	88.4	91.1	-	-	-
150.9	32.8*	86.9	91.1	-	-	-
164.0	27.6*	84.0	90.2	-	-	-
177.2	23.1*	78.9	88.8	-	-	-
190.3	19.6*	70.3	84.0	-	-	-
203.4	16.5*	62.8	75.6	79.8	-	-
216.5	13.9*	55.1	67.5	75.6	-	-
229.7	11.5*	47.4	60.4	69.7	-	-
242.8	8.6	39.5	54.2	64.4	-	-
255.9	-	-	47.8	57.8	56.0	-
269.0	-	-	-	52.0	51.8	-
282.2	-	-	-	47.0	48.1	-
288.7	-	-	-	-	46.5	43.0
295.3	-	-	-	-	45.0	41.4
308.4	-	-	-	-	-	38.6
315.0	-	-	-	-	-	37.3
321.5	-	-	-	-	-	-

118.1 ft + 275.6 ft

ft	1,000 lb					
85.3	63.7*	66.8*	-	-	-	
91.9	63.7*	66.4*	-	-	-	
98.4	62.8*	65.7	-	-	-	
111.5	51.6*	63.7	-	-	-	
124.7	42.5*	61.1	-	-	-	
137.8	35.5*	58.0	-	-	-	
150.9	29.8*	54.5	-	-	-	
164.0	24.9*	50.9	53.4	-	-	
177.2	20.9*	47.4	53.4	-	-	
190.3	17.6*	43.9	50.5	-	-	
203.4	14.3*	40.3	47.4	-	-	
216.5	11.7*	36.8	43.7	-	-	
229.7	9.3*	33.5	39.9	44.1	-	
242.8	7.1*	30.0	36.4	41.0	-	
255.9	-	26.7	32.8	37.9	-	
269.0	-	23.1	29.5	34.8	-	
282.2	-	19.6	26.0	31.5	35.1	
295.3	-	-	22.7	28.2	32.4	
308.4	-	-	-	24.9	29.8	
321.5	-	-	-	21.6	26.7	28.4
334.6	-	-	-	-	23.1	27.1
347.8	-	-	-	-	-	23.8
354.3	-	-	-	-	-	22.3

137.8 ft + 78.7 ft

ft	0 lb		0 lb - 308,600 lb			
	29'6"		29'6" - 49'3"			
	85°	85°	75°	65°	55°	45°
	1,000 lb					
36.1	316.4*	375.9*	-	-	-	-
39.4	276.7*	375.9*	-	-	-	-
45.9	219.8*	382.5	-	-	-	-
52.5	181.2*	371.5	-	-	-	-
59.1	153.7*	358.3	-	-	-	-
65.6	132.7*	343.9	-	-	-	-
72.2	116.6*	300.9	-	-	-	-
78.7	103.6*	264.6	-	-	-	-
85.3	93.0*	233.7	276.7	-	-	-
91.9	81.6	198.6	252.4	-	-	-
98.4	-	-	232.6	-	-	-
111.5	-	-	200.0	-	-	-
118.1	-	-	186.7	177.5	-	-
124.7	-	-	-	166.4	-	-
137.8	-	-	-	147.7	-	-
150.9	-	-	-	-	126.1	-
157.5	-	-	-	-	119.9	-

137.8 ft + 118.1 ft


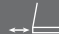
ft	1,000 lb				
45.9	216.9*	255.7*	-	-	-
52.5	178.6*	255.7*	-	-	-
59.1	151.0*	260.1	-	-	-
65.6	130.1*	252.4	-	-	-
72.2	114.0*	241.4	-	-	-
78.7	100.8*	230.4	-	-	-
85.3	90.2*	219.4	-	-	-
91.9	81.4*	207.9	-	-	-
98.4	73.9*	196.4	224.9	-	-
111.5	61.9*	163.8	196.2	-	-
124.7	52.9*	131.2	171.5	-	-
131.2	47.4	115.3	161.2	-	-
137.8	-	-	151.9	143.5	-
150.9	-	-	133.8	128.5	-
157.5	-	-	117.7	121.9	-
164.0	-	-	-	116.0	-
177.2	-	-	-	105.8	99.9
190.3	-	-	-	-	91.5
203.4	-	-	-	-	-

Remarks

Main boom angle 85°, 75°, 65°, 55° and 45°; capacities for intermediate boom positions are calculated by the crane control system IC-1

* Main boom angle 87°

SWSL

 **220,500 lb**
 **29'6" - 49'3"**
 **23'9"**
360°
ISO
 **137.8 ft + 157.5 ft**

ft	0 lb		0 lb - 308,600 lb			
	29'6"		29'6" - 49'3"			
	85°	85°	75°	65°	55°	45°
	1,000 lb					
55.8	161.4*	187.4*	-	-	-	-
59.1	148.6*	187.4*	-	-	-	-
65.6	127.9*	187.8	-	-	-	-
72.2	111.6*	187.8	-	-	-	-
78.7	98.5*	185.4	-	-	-	-
85.3	87.7*	182.8	-	-	-	-
91.9	78.9*	179.9	-	-	-	-
98.4	71.4*	174.8	-	-	-	-
111.5	59.3*	164.7	-	-	-	-
118.1	54.5*	156.1	179.9	-	-	-
124.7	50.3*	143.7	168.2	-	-	-
137.8	43.0*	121.0	148.6	-	-	-
150.9	37.3*	101.6	132.7	-	-	-
164.0	32.6*	84.0	119.7	112.4	-	-
177.2	-	-	104.3	102.1	-	-
190.3	-	-	87.1	93.3	-	-
203.4	-	-	-	85.8	80.2	-
216.5	-	-	-	79.4	74.1	-
229.7	-	-	-	-	68.8	-
242.8	-	-	-	-	-	60.0
255.9	-	-	-	-	-	56.0


 **137.8 ft + 196.9 ft**

ft	0 lb		1,000 lb			
	62.3	129.6*	135.4*	-	-	-
65.6	125.0*	135.4*	-	-	-	-
72.2	109.6*	133.6*	-	-	-	-
78.7	96.3*	135.6	-	-	-	-
85.3	85.8*	134.0	-	-	-	-
91.9	76.9*	132.5	-	-	-	-
98.4	69.2*	130.3	-	-	-	-
111.5	57.3*	125.7	-	-	-	-
124.7	48.1*	120.6	-	-	-	-
131.2	44.1*	117.9	126.1	-	-	-
137.8	40.8*	115.5	126.1	-	-	-
150.9	34.8*	107.8	123.0	-	-	-
164.0	29.8*	92.8	116.8	-	-	-
177.2	25.6*	80.0	106.0	-	-	-
190.3	22.0*	68.3	94.1	90.2	-	-
203.4	19.0*	57.1	82.2	82.5	-	-
216.5	-	-	71.0	76.1	-	-
229.7	-	-	60.0	70.3	65.3	-
242.8	-	-	-	65.3	60.4	-
255.9	-	-	-	60.8	56.0	-
269.0	-	-	-	-	52.2	47.8
282.2	-	-	-	-	-	44.5
295.3	-	-	-	-	-	41.7

Remarks

Main boom angle 85°, 75°, 65°, 55° and 45°; capacities for intermediate boom positions are calculated by the crane control system IC-1

* Main boom angle 87°

 **137.8 ft + 236.2 ft**

ft	0 lb		0 lb - 308,600 lb			
	29'6"		29'6" - 49'3"			
	85°	85°	75°	65°	55°	45°
	1,000 lb					
72.2	89.7*	93.3*	-	-	-	-
78.7	89.7*	93.3*	-	-	-	-
85.3	80.9*	92.8	-	-	-	-
91.9	72.5*	92.8	-	-	-	-
98.4	65.3*	91.9	-	-	-	-
111.5	53.8*	89.9	-	-	-	-
124.7	44.8*	88.2	-	-	-	-
137.8	37.7*	85.8	-	-	-	-
150.9	32.0*	83.3	86.2	-	-	-
164.0	26.9*	80.7	86.2	-	-	-
177.2	22.7*	78.3	85.5	-	-	-
190.3	19.0*	72.1	82.7	-	-	-
203.4	15.9*	62.8	78.7	-	-	-
216.5	13.2*	54.5	73.0	73.0	-	-
229.7	11.0*	46.7	64.8	67.2	-	-
242.8	9.3*	38.8	56.9	62.2	-	-
255.9	-	-	49.2	57.5	-	-
269.0	-	-	41.7	53.6	48.3	-
282.2	-	-	-	49.8	44.8	-
295.3	-	-	-	-	41.7	-
301.8	-	-	-	-	40.1	36.2
308.4	-	-	-	-	38.8	34.8
321.5	-	-	-	-	-	32.4
328.1	-	-	-	-	-	31.3
334.6	-	-	-	-	-	-

 **137.8 ft + 275.6 ft**

ft	0 lb		1,000 lb			
	85.3	58.2*	62.8*	-	-	-
91.9	58.2*	61.9*	-	-	-	-
98.4	57.5*	60.8*	-	-	-	-
111.5	49.6*	60.2	-	-	-	-
124.7	40.8*	57.8	-	-	-	-
137.8	34.0*	55.1	-	-	-	-
150.9	28.2*	52.0	-	-	-	-
164.0	23.6*	48.9	52.2	-	-	-
177.2	19.8*	45.6	52.2	-	-	-
190.3	16.5*	42.5	49.8	-	-	-
203.4	13.7*	39.2	47.2	-	-	-
216.5	11.2*	35.9	43.4	-	-	-
229.7	8.8*	32.6	40.1	42.1	-	-
242.8	6.6*	29.3	36.6	41.7	-	-
255.9	-	26.0	33.1	39.0	-	-
269.0	-	22.7	30.0	36.2	-	-
282.2	-	19.4	26.7	33.1	-	-
295.3	-	-	23.6	30.0	33.7	-
308.4	-	-	20.3	26.7	31.3	-
321.5	-	-	-	23.4	28.9	-
334.6	-	-	-	-	25.8	26.9
347.8	-	-	-	-	22.5	24.7
360.9	-	-	-	-	-	22.9
367.5	-	-	-	-	-	22.0
374.0	-	-	-	-	-	-

SWSL

220,500 lb
 29'6" - 49'3"
 23'9"
 360°
 ISO

157.5 ft + 78.7 ft

ft	0 lb		0 lb - 308,600 lb				
	29'6"		29'6" - 49'3"				
	85°	85°	75°	65°	55°	45°	
	1,000 lb						
39.4	274.5*	326.3*	-	-	-	-	-
45.9	218.3*	325.2	-	-	-	-	-
52.5	179.9*	325.2	-	-	-	-	-
59.1	152.3*	314.2	-	-	-	-	-
65.6	131.6*	302.0	-	-	-	-	-
72.2	115.5*	288.8	-	-	-	-	-
78.7	102.5*	272.3	-	-	-	-	-
85.3	91.9*	242.5	272.3	-	-	-	-
91.9	83.3*	208.6	249.1	-	-	-	-
98.4	-	-	228.2	-	-	-	-
111.5	-	-	196.9	-	-	-	-
124.7	-	-	172.4	162.0	-	-	-
137.8	-	-	-	143.7	-	-	-
150.9	-	-	-	129.2	-	-	-
157.5	-	-	-	-	115.3	-	-
164.0	-	-	-	-	109.8	-	-
177.2	-	-	-	-	-	-	-

157.5 ft + 118.1 ft

ft	0 lb		1,000 lb				
	45.9	215.4*	227.1*	-	-	-	-
52.5	177.3*	227.1*	-	-	-	-	-
59.1	149.7*	231.5	-	-	-	-	-
65.6	129.0*	227.1	-	-	-	-	-
72.2	112.9*	222.7	-	-	-	-	-
78.7	99.9*	216.1	-	-	-	-	-
85.3	89.3*	207.0	-	-	-	-	-
91.9	80.5*	198.2	-	-	-	-	-
98.4	73.0*	189.4	-	-	-	-	-
105.0	66.6*	181.2	208.1	-	-	-	-
111.5	61.1*	168.9	193.3	-	-	-	-
124.7	52.0*	135.6	168.7	-	-	-	-
131.2	46.3	119.9	158.5	-	-	-	-
137.8	-	-	149.3	-	-	-	-
150.9	-	-	133.6	124.8	-	-	-
157.5	-	-	127.0	118.4	-	-	-
164.0	-	-	-	112.7	-	-	-
177.2	-	-	-	102.5	-	-	-
190.3	-	-	-	-	87.5	-	-
203.4	-	-	-	-	80.7	-	-
216.5	-	-	-	-	-	-	-

Remarks

Main boom angle 85°, 75°, 65°, 55° and 45°; capacities for intermediate boom positions are calculated by the crane control system IC-1

* Main boom angle 87°

157.5 ft + 157.5 ft


ft	0 lb		0 lb - 308,600 lb				
	29'6"		29'6" - 49'3"				
	85°	85°	75°	65°	55°	45°	
	1,000 lb						
55.8	159.4*	167.6*	-	-	-	-	-
59.1	147.5*	167.6*	-	-	-	-	-
65.6	126.8*	167.8	-	-	-	-	-
72.2	110.5*	167.8	-	-	-	-	-
78.7	97.7*	165.3	-	-	-	-	-
85.3	87.1*	162.7	-	-	-	-	-
91.9	78.0*	160.1	-	-	-	-	-
98.4	70.5*	156.7	-	-	-	-	-
111.5	58.6*	149.9	-	-	-	-	-
118.1	53.8*	146.6	161.8	-	-	-	-
124.7	49.6*	143.1	161.4	-	-	-	-
137.8	42.3*	123.9	146.2	-	-	-	-
150.9	36.6*	104.3	130.5	-	-	-	-
164.0	32.0*	86.4	117.5	-	-	-	-
177.2	-	-	106.7	99.0	-	-	-
190.3	-	-	93.9	90.2	-	-	-
203.4	-	-	-	82.9	-	-	-
216.5	-	-	-	76.5	70.5	-	-
229.7	-	-	-	-	65.3	-	-
242.8	-	-	-	-	60.8	-	-
255.9	-	-	-	-	-	51.4	-
269.0	-	-	-	-	-	48.1	-
282.2	-	-	-	-	-	-	-


157.5 ft + 196.9 ft

ft	0 lb		1,000 lb				
	65.6	116.2*	120.8*	-	-	-	-
72.2	106.3*	120.8*	-	-	-	-	-
78.7	94.1*	121.5	-	-	-	-	-
85.3	84.2*	121.5	-	-	-	-	-
91.9	75.6*	120.2	-	-	-	-	-
98.4	68.3*	118.8	-	-	-	-	-
111.5	56.4*	115.7	-	-	-	-	-
124.7	47.4*	111.8	-	-	-	-	-
137.8	40.1*	107.8	116.4	-	-	-	-
150.9	34.2*	104.1	116.2	-	-	-	-
164.0	29.1*	94.8	114.0	-	-	-	-
177.2	24.9*	81.8	104.1	-	-	-	-
190.3	21.4*	69.9	94.8	87.1	-	-	-
203.4	18.5*	58.9	86.9	79.8	-	-	-
216.5	-	-	75.4	73.4	-	-	-
229.7	-	-	64.6	67.7	-	-	-
242.8	-	-	-	62.8	56.7	-	-
255.9	-	-	-	58.4	52.5	-	-
269.0	-	-	-	-	48.7	-	-
282.2	-	-	-	-	45.4	-	-
288.7	-	-	-	-	-	39.0	-
295.3	-	-	-	-	-	37.7	-
308.4	-	-	-	-	-	35.3	-

4

SWSL

 220,500 lb

 29'6" - 49'3"

 23'9"

360°

ISO

 157.5 ft +  236.2 ft

0 lb		0 lb - 308,600 lb				
29'6"		29'6" - 49'3"				
	85°	85°	75°	65°	55°	45°
ft	1,000 lb					
72.2	83.3*	86.2*	-	-	-	-
78.7	83.3*	86.2*	-	-	-	-
85.3	78.3*	85.3*	-	-	-	-
91.9	69.9*	86.2	-	-	-	-
98.4	63.1*	85.5	-	-	-	-
111.5	51.6*	84.0	-	-	-	-
124.7	43.0*	82.5	-	-	-	-
137.8	35.9*	80.5	-	-	-	-
150.9	30.4*	78.3	-	-	-	-
157.5	28.0*	77.2	80.0	-	-	-
164.0	25.8*	76.1	80.0	-	-	-
177.2	22.0*	73.9	80.0	-	-	-
190.3	18.5*	70.5	78.9	-	-	-
203.4	15.4*	64.2	76.3	-	-	-
216.5	12.8*	55.6	73.4	69.2	-	-
229.7	10.6*	47.8	68.1	64.6	-	-
242.8	8.8*	40.1	60.0	59.5	-	-
255.9	-	-	52.2	54.9	-	-
269.0	-	-	44.8	50.9	44.8	-
282.2	-	-	-	47.2	41.4	-
295.3	-	-	-	44.1	38.4	-
308.4	-	-	-	-	35.7	-
315.0	-	-	-	-	34.4	29.8
321.5	-	-	-	-	33.3	28.7
334.6	-	-	-	-	-	26.7
347.8	-	-	-	-	-	24.9
360.9	-	-	-	-	-	-

 157.5 ft +  275.6 ft

ft	1,000 lb					
85.3	54.7*	56.7*	-	-	-	-
91.9	54.7*	56.7*	-	-	-	-
98.4	54.0*	55.8*	-	-	-	-
111.5	47.4*	55.3	-	-	-	-
124.7	39.0*	53.6	-	-	-	-
137.8	32.2*	51.1	-	-	-	-
150.9	26.7*	48.5	-	-	-	-
164.0	22.3*	45.9	-	-	-	-
177.2	18.5*	43.0	48.7	-	-	-
190.3	15.2*	40.1	47.0	-	-	-
203.4	12.6*	37.3	44.8	-	-	-
216.5	10.4*	34.2	41.9	-	-	-
229.7	8.2*	31.1	39.0	-	-	-
242.8	6.4*	27.8	35.9	39.0	-	-
255.9	-	24.7	32.8	38.1	-	-
269.0	-	21.4	29.5	35.7	-	-
282.2	-	18.3	26.2	33.1	-	-
295.3	-	-	22.9	30.4	-	-
308.4	-	-	19.8	27.3	31.5	-
321.5	-	-	-	24.0	29.5	-
334.6	-	-	-	20.7	26.9	-
347.8	-	-	-	-	24.0	21.4
360.9	-	-	-	-	20.9	19.6
374.0	-	-	-	-	-	18.1
380.6	-	-	-	-	-	17.2

 177.2 ft +  78.7 ft

0 lb		0 lb - 308,600 lb				
29'6"		29'6" - 49'3"				
	85°	85°	75°	65°	55°	45°
ft	1,000 lb					
39.4	267.9*	283.3*	-	-	-	-
45.9	216.5*	274.5*	-	-	-	-
52.5	178.4*	283.3	-	-	-	-
59.1	151.0*	274.5	-	-	-	-
65.6	130.3*	264.6	-	-	-	-
72.2	114.4*	254.6	-	-	-	-
78.7	101.4*	244.7	-	-	-	-
85.3	91.1*	233.7	-	-	-	-
91.9	82.2*	218.0	244.7	-	-	-
98.4	71.7	181.7	224.9	-	-	-
111.5	-	-	193.3	-	-	-
124.7	-	-	169.3	-	-	-
131.2	-	-	-	147.7	-	-
137.8	-	-	-	139.3	-	-
150.9	-	-	-	124.8	-	-
157.5	-	-	-	118.8	-	-
164.0	-	-	-	-	-	-

 177.2 ft +  118.1 ft

ft	1,000 lb					
49.2	192.7*	201.9*	-	-	-	-
52.5	175.7*	201.9*	-	-	-	-
59.1	148.4*	204.8	-	-	-	-
65.6	127.9*	202.4	-	-	-	-
72.2	111.8*	198.0	-	-	-	-
78.7	98.8*	193.1	-	-	-	-
85.3	88.4*	187.6	-	-	-	-
91.9	79.6*	182.3	-	-	-	-
98.4	72.1*	177.0	-	-	-	-
111.5	60.2*	165.6	189.8	-	-	-
124.7	51.4*	139.8	165.6	-	-	-
137.8	42.1	107.1	146.4	-	-	-
150.9	-	-	131.0	-	-	-
157.5	-	-	124.3	114.4	-	-
164.0	-	-	118.4	108.9	-	-
177.2	-	-	-	99.0	-	-
190.3	-	-	-	90.6	-	-
203.4	-	-	-	-	76.3	-
216.5	-	-	-	-	70.5	-

Remarks

Main boom angle 85°, 75°, 65°, 55° and 45°; capacities for intermediate boom positions are calculated by the crane control system IC-1

* Main boom angle 87°

SWSL

220,500 lb
 29'6" - 49'3"
 23'9"
 360°
 ISO

177.2 ft + 157.5 ft

ft	0 lb		0 lb - 308,600 lb			
	29'6"		29'6" - 49'3"			
	85°	85°	75°	65°	55°	45°
	1,000 lb					
55.8	142.0*	149.9*	-	-	-	-
59.1	142.0*	149.9*	-	-	-	-
65.6	124.6*	147.0*	-	-	-	-
72.2	109.6*	150.4	-	-	-	-
78.7	96.6*	148.2	-	-	-	-
85.3	86.0*	145.7	-	-	-	-
91.9	77.2*	143.1	-	-	-	-
98.4	69.9*	140.0	-	-	-	-
111.5	58.0*	133.8	-	-	-	-
124.7	48.7*	127.6	144.4	-	-	-
137.8	41.7*	121.3	143.3	-	-	-
150.9	35.9*	106.7	127.9	-	-	-
164.0	31.3*	88.8	115.1	-	-	-
177.2	-	-	104.5	95.2	-	-
190.3	-	-	95.5	86.9	-	-
203.4	-	-	83.3	79.8	-	-
216.5	-	-	-	73.4	-	-
229.7	-	-	-	68.1	61.1	-
242.8	-	-	-	-	56.7	43.2
255.9	-	-	-	-	52.7	40.6
269.0	-	-	-	-	-	-

177.2 ft + 196.9 ft

ft	0 lb		1,000 lb			
	65.6	104.5*	108.7*	-	-	-
72.2	103.0*	108.7*	-	-	-	-
78.7	91.3*	109.6	-	-	-	-
85.3	81.4*	109.6	-	-	-	-
91.9	73.2*	108.2	-	-	-	-
98.4	66.1*	106.7	-	-	-	-
111.5	54.7*	103.8	-	-	-	-
124.7	45.9*	100.3	-	-	-	-
137.8	39.0*	96.8	-	-	-	-
144.4	36.2*	95.0	104.7	-	-	-
150.9	33.5*	93.3	104.7	-	-	-
164.0	28.4*	89.3	103.4	-	-	-
177.2	24.3*	83.3	101.2	-	-	-
190.3	20.7*	71.4	92.6	-	-	-
203.4	17.9*	60.4	84.9	76.5	-	-
216.5	-	-	78.0	70.3	-	-
229.7	-	-	68.8	64.8	-	-
242.8	-	-	57.5	60.0	-	-
255.9	-	-	-	55.6	48.5	-
269.0	-	-	-	51.8	44.8	-
282.2	-	-	-	-	41.7	-
295.3	-	-	-	-	38.8	-
301.8	-	-	-	-	-	32.2
308.4	-	-	-	-	-	31.1
321.5	-	-	-	-	-	29.1

Remarks:

Main boom angle 85°, 75°, 65°, 55° and 45°; capacities for intermediate boom positions are calculated by the crane control system IC-1

* Main boom angle 87°

177.2 ft + 236.2 ft

ft	0 lb		0 lb - 308,600 lb			
	29'6"		29'6" - 49'3"			
	85°	85°	75°	65°	55°	45°
	1,000 lb					
78.7	75.2*	79.4*	-	-	-	-
85.3	75.2*	78.5*	-	-	-	-
91.9	67.2*	78.7	-	-	-	-
98.4	60.6*	78.7	-	-	-	-
111.5	49.6*	77.2	-	-	-	-
124.7	41.0*	75.2	-	-	-	-
137.8	34.4*	73.2	-	-	-	-
150.9	28.9*	71.2	-	-	-	-
157.5	26.5*	70.1	73.4	-	-	-
164.0	24.5*	69.2	73.4	-	-	-
177.2	20.7*	67.0	73.4	-	-	-
190.3	17.6*	64.6	73.4	-	-	-
203.4	14.8*	61.7	72.1	-	-	-
216.5	12.3*	56.7	70.5	-	-	-
229.7	10.1*	48.9	69.0	61.3	-	-
242.8	8.2*	41.2	63.1	56.2	-	-
255.9	-	-	55.1	51.8	-	-
269.0	-	-	47.6	47.8	-	-
282.2	-	-	39.9	44.3	37.7	-
295.3	-	-	-	41.2	34.8	-
308.4	-	-	-	38.6	32.2	-
321.5	-	-	-	-	30.0	-
334.6	-	-	-	-	27.8	22.7
347.8	-	-	-	-	-	20.9
360.9	-	-	-	-	-	19.6

177.2 ft + 275.6 ft

ft	0 lb		1,000 lb			
	85.3	50.9*	52.5*	-	-	-
91.9	50.9*	52.5*	-	-	-	-
98.4	50.7	51.8	-	-	-	-
111.5	45.2*	51.8	-	-	-	-
124.7	37.0*	50.3	-	-	-	-
137.8	30.4*	48.3	-	-	-	-
150.9	25.1*	46.3	-	-	-	-
164.0	20.7*	43.9	-	-	-	-
177.2	17.2*	41.2	45.4	-	-	-
190.3	14.1*	38.8	45.4	-	-	-
203.4	11.5*	36.4	43.7	-	-	-
216.5	9.3*	33.5	41.4	-	-	-
229.7	7.3*	30.4	38.8	-	-	-
242.8	5.5*	27.3	36.2	-	-	-
255.9	-	24.5	33.3	37.5	-	-
269.0	-	21.4	30.2	35.9	-	-
282.2	-	18.3	27.1	33.7	-	-
295.3	-	-	23.8	30.9	-	-
308.4	-	-	20.7	28.2	29.1	-
321.5	-	-	-	24.9	26.7	-
334.6	-	-	-	22.0	24.5	-
347.8	-	-	-	19.0	22.5	-
360.9	-	-	-	-	20.7	-
367.5	-	-	-	-	19.8	15.2
374.0	-	-	-	-	19.2	14.3
387.1	-	-	-	-	-	13.0
400.3	-	-	-	-	-	11.9

4

SWSL

220,500 lb

29'6" - 49'3"

23'9"

360°

ISO

196.9 ft + 78.7 ft

0 lb		0 lb - 308,600 lb					
29'6"		29'6" - 49'3"					
	85°	85°	75°	65°	55°	45°	
ft	1,000 lb						
39.4	231.5*	238.1*	-	-	-	-	-
45.9	214.7*	238.1*	-	-	-	-	-
52.5	176.8*	245.8	-	-	-	-	-
59.1	149.7*	238.1	-	-	-	-	-
65.6	129.2*	230.4	-	-	-	-	-
72.2	113.1*	221.6	-	-	-	-	-
78.7	100.3*	214.3	-	-	-	-	-
85.3	89.9*	206.4	-	-	-	-	-
91.9	81.1*	199.1	-	-	-	-	-
98.4	70.1	191.8	220.5	-	-	-	-
111.5	-	-	189.8	-	-	-	-
124.7	-	-	165.8	-	-	-	-
131.2	-	-	156.1	-	-	-	-
144.4	-	-	-	127.2	-	-	-
150.9	-	-	-	120.4	-	-	-
164.0	-	-	-	108.9	-	-	-
177.2	-	-	-	-	-	-	-

196.9 ft + 118.1 ft

ft	1,000 lb					
49.2	171.1*	177.0*	-	-	-	-
52.5	171.1*	177.0*	-	-	-	-
59.1	147.0*	178.6	-	-	-	-
65.6	126.5*	178.6	-	-	-	-
72.2	110.7*	174.8	-	-	-	-
78.7	97.7*	170.4	-	-	-	-
85.3	87.3*	165.8	-	-	-	-
91.9	78.5*	161.2	-	-	-	-
98.4	71.2*	156.5	-	-	-	-
111.5	59.3*	147.3	171.5	-	-	-
124.7	50.5*	138.2	162.3	-	-	-
137.8	40.8	112.0	143.3	-	-	-
150.9	-	-	128.3	-	-	-
164.0	-	-	115.7	104.7	-	-
177.2	-	-	-	95.2	-	-
190.3	-	-	-	87.1	-	-
203.4	-	-	-	80.2	-	-
216.5	-	-	-	-	66.1	-
229.7	-	-	-	-	61.3	-

Remarks

Main boom angle 85°, 75°, 65°, 55° and 45°; capacities for intermediate boom positions are calculated by the crane control system IC-1

* Main boom angle 87°

196.9 ft + 157.5 ft

0 lb		0 lb - 308,600 lb					
29'6"		29'6" - 49'3"					
	85°	85°	75°	65°	55°	45°	
ft	1,000 lb						
59.1	126.5*	133.2*	-	-	-	-	-
65.6	120.6*	130.7*	-	-	-	-	-
72.2	106.0*	134.3	-	-	-	-	-
78.7	94.1*	132.1	-	-	-	-	-
85.3	84.2*	130.1	-	-	-	-	-
91.9	75.8*	127.4	-	-	-	-	-
98.4	68.8*	125.0	-	-	-	-	-
111.5	57.1*	119.3	-	-	-	-	-
124.7	48.1*	113.8	-	-	-	-	-
131.2	44.3*	110.9	128.1	-	-	-	-
137.8	41.0*	108.0	127.6	-	-	-	-
150.9	35.3*	102.3	124.6	-	-	-	-
164.0	30.4*	91.1	112.7	-	-	-	-
177.2	23.8	72.8	102.1	-	-	-	-
190.3	-	-	93.3	83.3	-	-	-
203.4	-	-	85.8	76.3	-	-	-
216.5	-	-	-	70.3	-	-	-
229.7	-	-	-	65.0	-	-	-
242.8	-	-	-	60.6	52.0	-	-
255.9	-	-	-	-	48.3	-	-
269.0	-	-	-	-	45.0	-	-
282.2	-	-	-	-	-	35.7	-
295.3	-	-	-	-	-	-	33.3

196.9 ft + 196.9 ft

ft	1,000 lb					
65.6	93.5*	97.9*	-	-	-	-
72.2	93.5*	97.9*	-	-	-	-
78.7	88.0*	98.1	-	-	-	-
85.3	78.5*	98.1	-	-	-	-
91.9	70.3*	97.0	-	-	-	-
98.4	63.5*	95.7	-	-	-	-
111.5	52.5*	92.8	-	-	-	-
124.7	44.1*	89.7	-	-	-	-
137.8	37.3*	86.4	-	-	-	-
150.9	32.0*	83.1	92.8	-	-	-
164.0	27.6*	79.8	92.8	-	-	-
177.2	23.6*	76.5	90.8	-	-	-
190.3	20.1*	73.0	88.2	-	-	-
203.4	17.2*	61.7	82.7	-	-	-
216.5	-	-	76.1	67.0	-	-
229.7	-	-	70.3	61.5	-	-
242.8	-	-	62.2	56.7	-	-
255.9	-	-	-	52.5	-	-
269.0	-	-	-	48.7	40.8	-
282.2	-	-	-	-	37.7	-
295.3	-	-	-	-	35.1	-
308.4	-	-	-	-	32.6	-
315.0	-	-	-	-	-	25.6
321.5	-	-	-	-	-	24.7
334.6	-	-	-	-	-	22.9

SWSL

220,500 lb
↔ 29'6" - 49'3"
■ 23'9"
360°
ISO

196.9 ft + 236.2 ft

ft	0 lb		0 lb - 308,600 lb				
	29'6"		29'6" - 49'3"				
	85°	85°	75°	65°	55°	45°	
	1,000 lb						
78.7	67.7*	71.2*	-	-	-	-	
85.3	67.7*	70.3*	-	-	-	-	
91.9	64.6	71.2	-	-	-	-	
98.4	58.0*	71.2	-	-	-	-	
111.5	47.2*	69.7	-	-	-	-	
124.7	39.0*	67.9	-	-	-	-	
137.8	32.4*	65.9	-	-	-	-	
150.9	27.1*	63.9	-	-	-	-	
164.0	22.9*	61.9	66.6	-	-	-	
177.2	19.2*	60.0	66.6	-	-	-	
190.3	16.3*	58.0	66.1	-	-	-	
203.4	13.7*	55.8	65.0	-	-	-	
216.5	11.7*	53.8	63.7	-	-	-	
229.7	9.5*	49.8	62.2	57.5	-	-	
242.8	7.7*	42.1	60.4	52.9	-	-	
255.9	-	-	57.8	48.7	-	-	
269.0	-	-	50.5	44.8	-	-	
282.2	-	-	43.0	41.4	-	-	
295.3	-	-	-	38.4	31.1	-	
308.4	-	-	-	35.7	28.4	-	
321.5	-	-	-	-	26.2	-	
334.6	-	-	-	-	24.3	-	
347.8	-	-	-	-	22.7	17.0	
360.9	-	-	-	-	-	15.4	
374.0	-	-	-	-	-	14.3	

196.9 ft + 275.6 ft

ft	1,000 lb					
85.3	47.0*	48.3*	-	-	-	
91.9	47.0*	48.3*	-	-	-	
98.4	46.5*	47.6*	-	-	-	
111.5	43.0*	47.8	-	-	-	
124.7	35.1*	46.5	-	-	-	
137.8	28.7*	45.2	-	-	-	
150.9	23.6*	43.7	-	-	-	
164.0	19.4*	41.4	-	-	-	
177.2	15.9*	39.2	-	-	-	
190.3	12.8*	37.0	43.2	-	-	
203.4	10.1*	34.8	41.9	-	-	
216.5	8.2*	32.4	40.3	-	-	
229.7	6.2*	29.5	38.1	-	-	
242.8	-	26.7	35.7	-	-	
255.9	-	23.8	33.3	35.3	-	
269.0	-	20.9	30.6	35.1	-	
282.2	-	18.3	27.6	33.7	-	
295.3	-	-	24.7	31.5	-	
308.4	-	-	21.6	29.3	-	
321.5	-	-	18.5	26.7	23.4	
334.6	-	-	-	23.8	21.2	
347.8	-	-	-	20.7	19.4	
360.9	-	-	-	-	17.6	
374.0	-	-	-	-	16.1	
380.6	-	-	-	-	15.4	10.1
387.1	-	-	-	-	14.8	9.5
400.3	-	-	-	-	-	8.4
413.4	-	-	-	-	-	7.3

216.5 ft + 78.7 ft

ft	0 lb		0 lb - 308,600 lb				
	29'6"		29'6" - 49'3"				
	85°	85°	75°	65°	55°	45°	
	1,000 lb						
42.7	192.5*	201.9*	-	-	-	-	
45.9	192.5*	201.9*	-	-	-	-	
52.5	175.3*	204.6	-	-	-	-	
59.1	148.2*	198.0	-	-	-	-	
65.6	127.6*	191.1	-	-	-	-	
72.2	111.8*	183.9	-	-	-	-	
78.7	99.2*	176.8	-	-	-	-	
85.3	88.6*	169.8	-	-	-	-	
91.9	80.0*	162.7	-	-	-	-	
98.4	68.6	155.4	-	-	-	-	
105.0	-	-	184.1	-	-	-	
111.5	-	-	184.1	-	-	-	
124.7	-	-	162.7	-	-	-	
137.8	-	-	144.2	-	-	-	
150.9	-	-	-	116.4	-	-	
164.0	-	-	-	105.2	-	-	
190.3	-	-	-	-	78.5	-	
203.4	-	-	-	-	72.3	-	
216.5	-	-	-	-	-	-	

216.5 ft + 118.1 ft

ft	1,000 lb				
49.2	140.9*	149.3*	-	-	-
52.5	140.9*	149.3*	-	-	-
59.1	138.2*	145.3*	-	-	-
65.6	123.9*	147.3	-	-	-
72.2	109.1*	143.5	-	-	-
78.7	96.6*	139.6	-	-	-
85.3	86.2*	135.6	-	-	-
91.9	77.6*	131.4	-	-	-
98.4	70.1*	127.2	-	-	-
111.5	58.4*	119.0	-	-	-
118.1	53.8*	115.1	137.6	-	-
124.7	49.6*	111.3	137.6	-	-
137.8	39.7	103.6	130.5	-	-
150.9	-	-	121.9	-	-
164.0	-	-	112.9	-	-
177.2	-	-	103.2	91.5	-
190.3	-	-	-	83.6	-
203.4	-	-	-	76.9	-
229.7	-	-	-	-	56.7
242.8	-	-	-	-	52.7
262.5	-	-	-	-	40.1
269.0	-	-	-	-	38.8
275.6	-	-	-	-	37.7

Remarks

Main boom angle 85°, 75°, 65°, 55° and 45°; capacities for intermediate boom positions are calculated by the crane control system IC-1

* Main boom angle 87°

SWSL

220,500 lb

29'6" - 49'3"

23'9"

360°

ISO

216.5 ft + 157.5 ft

ft	0 lb		0 lb - 551,000 lb			
	29'6"		29'6" - 49'3"			
	85°	85°	75°	65°	55°	45°
	1,000 lb					
59.1	103.4*	107.8*	-	-	-	-
65.6	103.4*	107.8*	-	-	-	-
72.2	101.6*	108.2	-	-	-	-
78.7	90.8*	108.2	-	-	-	-
85.3	81.4*	106.0	-	-	-	-
91.9	73.2*	103.6	-	-	-	-
98.4	66.4*	101.2	-	-	-	-
111.5	55.3*	96.1	-	-	-	-
124.7	46.7*	91.1	-	-	-	-
137.8	40.1*	86.0	99.6	-	-	-
150.9	34.6*	81.1	99.6	-	-	-
164.0	29.8*	76.3	94.8	-	-	-
177.2	22.7	71.2	89.7	-	-	-
190.3	-	-	84.2	-	-	-
203.4	-	-	78.0	73.2	-	-
216.5	-	-	72.1	67.2	-	-
229.7	-	-	-	61.9	-	-
242.8	-	-	-	57.3	-	-
255.9	-	-	-	-	44.3	-
269.0	-	-	-	-	41.0	-
282.2	-	-	-	-	38.4	-
295.3	-	-	-	-	-	28.9
308.4	-	-	-	-	-	27.1

216.5 ft + 196.9 ft

ft	1,000 lb				
72.2	76.7*	80.7*	-	-	-
78.7	75.8*	79.4*	-	-	-
85.3	74.7*	80.9	-	-	-
91.9	67.7*	79.6	-	-	-
98.4	61.1*	78.5	-	-	-
111.5	50.3*	75.6	-	-	-
124.7	41.9*	72.3	-	-	-
137.8	35.5*	69.2	-	-	-
150.9	30.2*	66.1	74.7	-	-
164.0	26.0*	62.8	74.7	-	-
177.2	22.5*	59.7	72.5	-	-
190.3	19.4*	56.7	69.4	-	-
203.4	16.5*	53.4	66.4	-	-
216.5	11.7	50.3	62.6	63.5	-
229.7	-	-	58.6	58.2	-
242.8	-	-	54.7	53.6	-
255.9	-	-	-	49.4	-
269.0	-	-	-	45.6	-
282.2	-	-	-	42.5	34.2
295.3	-	-	-	-	31.5
308.4	-	-	-	-	29.3
321.5	-	-	-	-	27.3
328.1	-	-	-	-	19.8
334.6	-	-	-	-	19.0
347.8	-	-	-	-	17.6

Remarks: * Main boom angle 87°

Main boom angle 85°, 75°, 65°, 55° and 45°; capacities for intermediate boom positions are calculated by the crane control system IC-1

216.5 ft + 236.2 ft

ft	0 lb		0 lb - 551,000 lb			
	29'6"		29'6" - 49'3"			
	85°	85°	75°	65°	55°	45°
	1,000 lb					
78.7	54.9*	58.0*	-	-	-	-
85.3	54.9*	58.0*	-	-	-	-
91.9	55.1	58.0	-	-	-	-
98.4	53.8*	58.0	-	-	-	-
111.5	45.0*	56.4	-	-	-	-
124.7	37.0*	54.7	-	-	-	-
137.8	30.6*	52.9	-	-	-	-
150.9	25.6*	50.9	-	-	-	-
164.0	21.4*	48.9	-	-	-	-
177.2	17.9*	47.0	54.0	-	-	-
190.3	15.0*	45.0	53.1	-	-	-
203.4	12.6*	42.8	51.8	-	-	-
216.5	10.6*	40.8	49.8	-	-	-
229.7	8.8*	38.6	47.8	-	-	-
242.8	7.1*	36.6	45.9	45.4	-	-
255.9	-	-	43.4	45.4	-	-
269.0	-	-	40.8	41.9	-	-
282.2	-	-	38.4	38.6	-	-
295.3	-	-	-	35.7	-	-
308.4	-	-	-	33.1	25.1	-
321.5	-	-	-	30.9	22.9	-
334.6	-	-	-	-	21.2	-
347.8	-	-	-	-	19.4	-
360.9	-	-	-	-	18.1	11.9
374.0	-	-	-	-	-	10.6
387.1	-	-	-	-	-	9.7
400.3	-	-	-	-	-	-

216.5 ft + 275.6 ft

ft	1,000 lb				
85.3	38.8*	41.0*	-	-	-
91.9	38.8*	41.0*	-	-	-
98.4	38.6*	40.3*	-	-	-
111.5	37.7*	41.0	-	-	-
124.7	32.8*	39.9	-	-	-
137.8	26.7*	38.8	-	-	-
150.9	21.8*	37.5	-	-	-
164.0	17.6*	35.9	-	-	-
177.2	14.3*	34.6	-	-	-
190.3	11.5*	33.3	36.6	-	-
203.4	9.0*	31.7	36.6	-	-
216.5	6.8*	30.2	36.2	-	-
229.7	-	27.8	35.1	-	-
242.8	-	25.4	33.5	-	-
255.9	-	22.7	31.7	-	-
269.0	-	20.3	30.2	30.2	-
282.2	-	17.9	27.6	30.2	-
295.3	-	-	24.9	30.0	-
308.4	-	-	22.0	28.7	-
321.5	-	-	19.2	27.1	-
334.6	-	-	-	24.7	18.1
347.8	-	-	-	22.0	16.3
360.9	-	-	-	19.2	14.6
374.0	-	-	-	-	13.2
387.1	-	-	-	-	11.9

SWSL

220,500 lb
 29'6" - 49'3"
 23'9"
 360°
 ISO

236.2 ft + 78.7 ft

ft	0 lb		0 lb - 551,000 lb			
	29'6"		29'6" - 49'3"			
	85°	85°	75°	65°	55°	45°
	1,000 lb					
42.7	169.5*	177.5*	-	-	-	-
45.9	169.5*	177.5*	-	-	-	-
52.5	165.1*	173.9	-	-	-	-
59.1	146.2*	173.9	-	-	-	-
65.6	126.3*	168.2	-	-	-	-
72.2	110.5*	162.3	-	-	-	-
78.7	97.9*	156.5	-	-	-	-
85.3	87.5*	150.6	-	-	-	-
91.9	78.9*	144.6	-	-	-	-
98.4	66.8	138.7	-	-	-	-
111.5	-	-	163.1	-	-	-
124.7	-	-	150.6	-	-	-
137.8	-	-	136.5	-	-	-
144.4	-	-	129.4	-	-	-
157.5	-	-	-	105.8	-	-
164.0	-	-	-	100.8	-	-
177.2	-	-	-	91.5	-	-
203.4	-	-	-	-	66.6	-
216.5	-	-	-	-	61.5	-

236.2 ft + 157.5 ft

ft	0 lb		0 lb - 551,000 lb			
	29'6"		29'6" - 49'3"			
	85°	85°	75°	65°	55°	45°
	1,000 lb					
59.1	89.9*	95.7*	-	-	-	-
65.6	89.9*	95.7*	-	-	-	-
72.2	89.9	95.5	-	-	-	-
78.7	87.5*	95.5	-	-	-	-
85.3	78.3*	93.5	-	-	-	-
91.9	70.3*	91.5	-	-	-	-
98.4	63.7*	89.3	-	-	-	-
111.5	52.9*	84.9	-	-	-	-
124.7	44.8*	80.2	-	-	-	-
137.8	38.4*	75.8	-	-	-	-
144.4	35.7*	73.6	87.1	-	-	-
150.9	33.3*	71.4	87.1	-	-	-
164.0	28.9*	67.0	83.3	-	-	-
177.2	21.6	62.6	78.3	-	-	-
190.3	-	-	73.4	-	-	-
203.4	-	-	68.1	69.0	-	-
216.5	-	-	62.8	63.1	-	-
229.7	-	-	-	58.0	-	-
242.8	-	-	-	53.6	-	-
255.9	-	-	-	49.8	-	-
269.0	-	-	-	-	36.6	-
282.2	-	-	-	-	34.0	-
295.3	-	-	-	-	31.7	-
308.4	-	-	-	-	-	22.0
321.5	-	-	-	-	-	20.5
328.1	-	-	-	-	-	20.1

236.2 ft + 118.1 ft

ft	1,000 lb			
52.5	122.1*	132.5*		
59.1	122.1*	129.0*		
65.6	119.5*	131.0		
72.2	105.4*	127.6		
78.7	93.9*	124.1		
85.3	84.2*	120.6		
91.9	76.1*	117.1		
98.4	69.2*	113.3		
111.5	57.5*	106.0		
124.7	48.7*	99.2		
137.8	38.1	92.4		
150.9	-	107.6		
164.0	-	99.6		
177.2	-	91.3		
190.3	-	79.8		
203.4	-	73.2		
216.5	-	67.5		
229.7	-	-	51.6	
242.8	-	-	47.8	
255.9	-	-	44.5	
275.6	-	-	-	32.2
282.2	-	-	-	31.1
288.7	-	-	-	30.2

236.2 ft + 196.9 ft

ft	1,000 lb				
72.2	66.8*	71.4*	-	-	
78.7	66.8*	70.3*	-	-	
85.3	65.9*	70.3	-	-	
91.9	64.6*	70.3	-	-	
98.4	58.2*	69.2	-	-	
111.5	47.8*	66.6	-	-	
124.7	39.9*	63.7	-	-	
137.8	33.5*	60.8	-	-	
150.9	28.4*	58.0	-	-	
157.5	26.2*	56.4	65.0	-	
164.0	24.5*	55.1	65.0	-	
177.2	20.9*	52.2	62.8	-	
190.3	18.3*	49.2	60.2	-	
203.4	15.9*	46.3	57.3	-	
216.5	10.6	43.4	54.2	-	
229.7	-	-	50.7	53.1	
242.8	-	-	47.2	49.8	
255.9	-	-	43.9	45.9	
269.0	-	-	-	42.3	
282.2	-	-	-	39.2	
295.3	-	-	-	36.6	
308.4	-	-	-	25.1	
321.5	-	-	-	23.4	
341.2	-	-	-	-	13.9
347.8	-	-	-	-	13.2
360.9	-	-	-	-	12.1
374.0	-	-	-	-	-

Remarks

Main boom angle 85°, 75°, 65°, 55° and 45°; capacities for intermediate boom positions are calculated by the crane control system IC-1

* Main boom angle 87°

4

SWSL

220,500 lb
 29'6" - 49'3"
 23'9"
 360°
 ISO

236.2 ft + 236.2 ft

	0 lb		0 lb - 551,000 lb				
	29'6"		29'6" - 49'3"				
	85°	85°	75°	65°	55°	45°	
ft	1,000 lb						
78.7	48.3*	51.4*	-	-	-	-	-
85.3	48.3*	51.4*	-	-	-	-	-
91.9	47.6*	50.5*	-	-	-	-	-
98.4	47.0*	51.1	-	-	-	-	-
111.5	42.5*	49.8	-	-	-	-	-
124.7	34.8*	48.1	-	-	-	-	-
137.8	28.7*	46.3	-	-	-	-	-
150.9	23.8*	44.5	-	-	-	-	-
164.0	19.6*	42.5	-	-	-	-	-
177.2	16.3*	40.8	45.4	-	-	-	-
190.3	13.4*	38.8	45.4	-	-	-	-
203.4	11.2*	36.8	44.1	-	-	-	-
216.5	9.3*	34.8	42.3	-	-	-	-
229.7	7.7*	32.8	40.6	-	-	-	-
242.8	6.6*	30.9	38.6	-	-	-	-
255.9	-	28.9	36.4	37.3	-	-	-
269.0	-	-	34.0	36.4	-	-	-
282.2	-	-	31.7	34.8	-	-	-
295.3	-	-	29.3	32.6	-	-	-
308.4	-	-	-	30.0	-	-	-
321.5	-	-	-	27.8	19.2	-	-
334.6	-	-	-	25.8	17.4	-	-
347.8	-	-	-	-	15.9	-	-
360.9	-	-	-	-	14.3	-	-
374.0	-	-	-	-	-	6.6	-
387.1	-	-	-	-	-	5.5	-
400.3	-	-	-	-	-	-	-

236.2 ft + 275.6 ft

	0 lb		0 lb - 551,000 lb				
	29'6"		29'6" - 49'3"				
	85°	85°	75°	65°	55°	45°	
ft	1,000 lb						
85.3	33.3*	35.9*	-	-	-	-	-
91.9	33.3*	35.7*	-	-	-	-	-
98.4	33.3*	35.3*	-	-	-	-	-
111.5	32.6*	35.7	-	-	-	-	-
124.7	30.6*	34.8	-	-	-	-	-
137.8	24.7*	33.7	-	-	-	-	-
150.9	20.1*	32.6	-	-	-	-	-
164.0	16.1*	31.3	-	-	-	-	-
177.2	12.8*	30.0	-	-	-	-	-
190.3	9.9*	28.7	31.3	-	-	-	-
203.4	7.7*	27.3	31.3	-	-	-	-
216.5	5.7*	26.0	30.6	-	-	-	-
229.7	-	24.3	29.8	-	-	-	-
242.8	-	22.5	28.7	-	-	-	-
255.9	-	20.5	27.3	-	-	-	-
269.0	-	18.7	26.2	24.7	-	-	-
282.2	-	17.0	24.7	24.7	-	-	-
295.3	-	-	22.7	24.0	-	-	-
308.4	-	-	20.9	23.1	-	-	-
321.5	-	-	19.0	21.6	-	-	-
334.6	-	-	17.0	20.1	-	-	-
347.8	-	-	-	18.1	12.8	-	-
360.9	-	-	-	15.9	11.2	-	-
374.0	-	-	-	13.7	9.9	-	-
387.1	-	-	-	-	8.6	-	-
400.3	-	-	-	-	7.5	-	-
413.4	-	-	-	-	-	-	-

Remarks

Main boom angle 85°, 75°, 65°, 55° and 45°; capacities for intermediate boom positions are calculated by the crane control system IC-1

* Main boom angle 87°

255.9 ft + 78.7 ft

ft	1,000 lb					
42.7	138.0*	147.7*	-	-	-	-
45.9	138.0*	147.7*	-	-	-	-
52.5	132.9*	142.6*	-	-	-	-
59.1	130.3	144.4	-	-	-	-
65.6	123.2*	139.3	-	-	-	-
72.2	108.9*	134.0	-	-	-	-
78.7	96.6*	128.8	-	-	-	-
85.3	86.2*	123.7	-	-	-	-
91.9	77.8*	118.6	-	-	-	-
98.4	65.0	113.5	-	-	-	-
105.0	59.3	108.7	-	-	-	-
111.5	-	-	121.5	-	-	-
124.7	-	-	121.5	-	-	-
137.8	-	-	110.5	-	-	-
144.4	-	-	104.5	-	-	-
164.0	-	-	-	96.6	-	-
177.2	-	-	-	87.5	-	-
190.3	-	-	-	80.2	-	-
216.5	-	-	-	-	56.2	-
229.7	-	-	-	-	52.2	-
242.8	-	-	-	-	-	-

SWSL

220,500 lb
 29'6" - 49'3"
 23'9"
 360°
 ISO

255.9 ft + 118.1 ft

ft	0 lb		0 lb - 551,000 lb			
	29'6"		29'6" - 49'3"			
	85°	85°	75°	65°	55°	45°
	1,000 lb					
52.5	98.5*	104.7*	-	-	-	-
59.1	98.5*	104.7*	-	-	-	-
65.6	98.5	103.4	-	-	-	-
72.2	93.7*	103.4	-	-	-	-
78.7	90.4*	100.5	-	-	-	-
85.3	80.9*	97.4	-	-	-	-
91.9	73.2*	94.4	-	-	-	-
98.4	66.6*	91.5	-	-	-	-
111.5	56.0*	85.3	-	-	-	-
124.7	47.8*	79.6	-	-	-	-
131.2	44.3*	76.7	91.1	-	-	-
137.8	36.8	73.6	91.1	-	-	-
144.4	34.0	70.8	88.2	-	-	-
150.9	-	-	85.3	-	-	-
164.0	-	-	78.5	-	-	-
177.2	-	-	71.0	-	-	-
190.3	-	-	-	73.0	-	-
203.4	-	-	-	69.0	-	-
216.5	-	-	-	63.5	-	-
229.7	-	-	-	58.4	-	-
242.8	-	-	-	-	43.2	-
255.9	-	-	-	-	39.9	-
269.0	-	-	-	-	37.5	-
288.7	-	-	-	-	-	25.4
295.3	-	-	-	-	-	24.5
301.8	-	-	-	-	-	23.8

255.9 ft + 196.9 ft

ft	0 lb		0 lb - 551,000 lb			
	29'6"		29'6" - 49'3"			
	85°	85°	75°	65°	55°	45°
	1,000 lb					
72.2	52.5*	57.8*	-	-	-	-
78.7	52.5*	56.9*	-	-	-	-
85.3	52.9	55.6*	-	-	-	-
91.9	52.9	55.6	-	-	-	-
98.4	49.4*	54.5	-	-	-	-
111.5	45.4*	52.0	-	-	-	-
124.7	37.7*	49.2	-	-	-	-
137.8	31.5*	46.5	-	-	-	-
150.9	26.7*	44.1	-	-	-	-
164.0	22.7*	41.4	47.6	-	-	-
177.2	19.4*	39.0	47.6	-	-	-
190.3	17.0*	36.6	45.2	-	-	-
203.4	15.0*	34.2	42.3	-	-	-
216.5	9.7	31.7	39.7	-	-	-
229.7	-	-	36.8	-	-	-
242.8	-	-	34.0	37.5	-	-
255.9	-	-	30.9	35.3	-	-
269.0	-	-	-	32.6	-	-
282.2	-	-	-	30.0	-	-
295.3	-	-	-	27.1	-	-
308.4	-	-	-	-	21.6	-
321.5	-	-	-	-	19.6	-
334.6	-	-	-	-	18.1	-
354.3	-	-	-	-	-	8.6
360.9	-	-	-	-	-	8.2
374.0	-	-	-	-	-	7.3

255.9 ft + 157.5 ft

ft	1,000 lb					
	62.3	73.4*	78.7*	-	-	-
65.6	73.4*	78.7*	-	-	-	-
78.7	72.1	77.6	-	-	-	-
85.3	68.6*	76.1	-	-	-	-
91.9	66.8*	74.3	-	-	-	-
98.4	60.8*	72.3	-	-	-	-
111.5	50.5*	68.3	-	-	-	-
124.7	42.5*	64.2	-	-	-	-
137.8	36.4*	60.2	-	-	-	-
144.4	33.7*	58.2	68.3	-	-	-
150.9	31.5*	56.4	68.3	-	-	-
164.0	27.8*	52.7	64.6	-	-	-
177.2	20.5	48.7	60.4	-	-	-
190.3	-	-	56.2	-	-	-
203.4	-	-	51.8	-	-	-
216.5	-	-	47.6	52.7	-	-
229.7	-	-	-	50.3	-	-
242.8	-	-	-	46.3	-	-
255.9	-	-	-	42.3	-	-
269.0	-	-	-	-	32.4	-
282.2	-	-	-	-	30.0	-
295.3	-	-	-	-	27.8	-
321.5	-	-	-	-	-	16.1
334.6	-	-	-	-	-	15.0
341.2	-	-	-	-	-	14.6

255.9 ft + 236.2 ft

ft	1,000 lb					
	78.7	38.1*	39.7*	-	-	-
85.3	38.1*	39.7*	-	-	-	-
91.9	37.5*	39.0*	-	-	-	-
98.4	37.3	39.2	-	-	-	-
111.5	35.5*	39.2	-	-	-	-
124.7	32.4*	37.5	-	-	-	-
137.8	26.7*	35.7	-	-	-	-
150.9	21.8*	34.0	-	-	-	-
164.0	17.9*	32.0	-	-	-	-
177.2	14.8*	30.4	34.4	-	-	-
190.3	12.1*	28.7	34.4	-	-	-
203.4	9.7*	26.9	32.8	-	-	-
216.5	7.9*	25.1	31.1	-	-	-
229.7	6.4*	23.6	29.1	-	-	-
242.8	-	21.8	26.7	-	-	-
255.9	-	20.1	24.3	24.7	-	-
269.0	-	-	21.6	24.5	-	-
282.2	-	-	19.0	22.3	-	-
295.3	-	-	17.0	19.8	-	-
308.4	-	-	-	17.4	-	-
321.5	-	-	-	15.0	-	-
334.6	-	-	-	12.6	10.6	-
347.8	-	-	-	-	9.3	-
360.9	-	-	-	-	7.5	-
374.0	-	-	-	-	5.5	-

Remarks: Main boom angle 87°-85°, 75° and 65°, capacities for intermediate boom positions are calculated by the crane control system IC-1



SWSL

220,500 lb

29'6" - 49'3"

23'9"

360°

ISO

255.9 ft + 275.6 ft

ft	0 lb		0 lb - 551,000 lb			
	29'6"		29'6" - 49'3"			
	85°	85°	75°	65°	55°	45°
	1,000 lb					
91.9	25.4*	27.6*	-	-	-	-
98.4	25.4*	27.6*	-	-	-	-
111.5	24.7	26.2*	-	-	-	-
124.7	23.4*	25.6	-	-	-	-
137.8	22.3*	24.5	-	-	-	-
150.9	18.1*	23.4	-	-	-	-
164.0	14.3*	22.0	-	-	-	-
177.2	11.2*	20.5	-	-	-	-
190.3	8.6*	19.2	-	-	-	-
203.4	6.4*	17.6	21.4	-	-	-
216.5	-	16.1	20.3	-	-	-
229.7	-	14.6	18.5	-	-	-
242.8	-	13.0	16.8	-	-	-
255.9	-	11.2	15.0	-	-	-
269.0	-	9.7	13.2	-	-	-
282.2	-	8.2	11.5	9.3	-	-
295.3	-	6.4	9.7	9.3	-	-
308.4	-	-	7.9	7.9	-	-
321.5	-	-	6.2	6.6	-	-
328.1	-	-	-	5.7	-	-
334.6	-	-	-	-	-	-

275.6 ft + 78.7 ft

ft	1,000 lb	
	45.9	116.2*
52.5	116.2*	125.9*
59.1	114.6	127.2
65.6	108.2*	123.0
72.2	104.1*	118.4
78.7	93.7*	114.0
85.3	84.7*	109.3
91.9	76.5*	104.9
98.4	69.4*	100.3
105.0	57.5	95.9
118.1	-	105.4
124.7	-	105.4
137.8	-	95.7
150.9	-	85.8
177.2	-	81.6
190.3	-	75.4
229.7	-	46.5
242.8	-	43.2
255.9	-	-

Remarks:

Main boom angle 85°, 75°, 65°, 55° and 45°; capacities for intermediate boom positions are calculated by the crane control system IC-1

* Main boom angle 87°

275.6 ft + 118.1 ft

ft	0 lb		0 lb - 551,000 lb			
	29'6"		29'6" - 49'3"			
	85°	85°	75°	65°	55°	45°
	1,000 lb					
52.5	85.8*	92.2*	-	-	-	-
59.1	85.8*	92.2*	-	-	-	-
65.6	84.9	90.8	-	-	-	-
72.2	84.9	90.8	-	-	-	-
78.7	78.5*	88.4	-	-	-	-
85.3	75.8*	85.5	-	-	-	-
91.9	70.1*	82.9	-	-	-	-
98.4	63.7*	80.2	-	-	-	-
111.5	53.4*	74.7	-	-	-	-
124.7	45.9*	69.4	-	-	-	-
137.8	34.2	64.4	78.3	-	-	-
144.4	32.2	61.7	75.6	-	-	-
150.9	-	-	73.0	-	-	-
164.0	-	-	67.2	-	-	-
177.2	-	-	61.3	-	-	-
190.3	-	-	55.6	-	-	-
203.4	-	-	-	58.2	-	-
216.5	-	-	-	53.4	-	-
229.7	-	-	-	48.5	-	-
255.9	-	-	-	-	34.8	-
269.0	-	-	-	-	32.2	-
301.8	-	-	-	-	-	18.3
308.4	-	-	-	-	-	17.6
315.0	-	-	-	-	-	17.0
321.5	-	-	-	-	-	-

275.6 ft + 157.5 ft

ft	1,000 lb	
	62.3	60.0*
65.6	60.0*	70.1*
72.2	60.0*	68.1*
78.7	60.0*	66.1*
85.3	60.0	66.1
91.9	56.4*	64.6
98.4	54.7*	62.8
111.5	48.1*	59.1
124.7	40.3*	55.6
137.8	34.4*	51.8
150.9	29.5*	48.3
164.0	26.0*	45.0
177.2	18.3	41.4
190.3	-	46.1
203.4	-	42.1
216.5	-	38.1
229.7	-	34.4
242.8	-	36.4
255.9	-	32.8
269.0	-	29.3
282.2	-	25.4
295.3	-	23.1
308.4	-	20.7
334.6	-	-
347.8	-	-
354.3	-	-

SWSL

220,500 lb
 29'6" - 49'3"
 23'9"
 360°
 ISO

275.6 ft + 196.9 ft

ft	0 lb		0 lb - 551,000 lb			
	29'6"		29'6" - 49'3"			
	85°	85°	75°	65°	55°	45°
	1,000 lb					
72.2	45.0*	49.4*	-	-	-	-
78.7	45.0*	49.4*	-	-	-	-
85.3	44.1*	48.3*	-	-	-	-
91.9	44.1	48.7	-	-	-	-
98.4	44.1	47.8	-	-	-	-
111.5	39.9*	45.4	-	-	-	-
124.7	35.3*	43.0	-	-	-	-
137.8	29.5*	40.6	-	-	-	-
150.9	24.7*	38.1	-	-	-	-
164.0	20.9*	35.5	-	-	-	-
177.2	17.9*	33.3	39.0	-	-	-
190.3	15.4*	30.9	36.8	-	-	-
203.4	13.4*	28.7	34.4	-	-	-
216.5	7.9	26.2	31.7	-	-	-
229.7	-	-	29.1	-	-	-
242.8	-	-	26.2	26.5	-	-
255.9	-	-	23.4	24.9	-	-
269.0	-	-	20.5	22.3	-	-
282.2	-	-	-	19.4	-	-
295.3	-	-	-	16.5	-	-
308.4	-	-	-	13.9	9.5	-
321.5	-	-	-	-	9.0	-
334.6	-	-	-	-	7.1	-
341.2	-	-	-	-	6.2	-
347.8	-	-	-	-	-	-

275.6 ft + 236.2 ft

ft	0 lb		0 lb - 551,000 lb			
	29'6"		29'6" - 49'3"			
	85°	85°	75°	65°	55°	45°
	1,000 lb					
78.7	31.3*	34.0*	-	-	-	-
85.3	31.3*	34.0*	-	-	-	-
91.9	31.3*	33.3*	-	-	-	-
98.4	30.9	32.6*	-	-	-	-
111.5	30.0	32.4	-	-	-	-
124.7	28.0*	31.1	-	-	-	-
137.8	24.5*	29.8	-	-	-	-
150.9	19.8*	28.0	-	-	-	-
164.0	16.1*	26.5	-	-	-	-
177.2	13.0*	24.9	-	-	-	-
190.3	10.6*	23.1	25.6	-	-	-
203.4	8.4*	21.4	25.6	-	-	-
216.5	6.6*	19.4	23.6	-	-	-
229.7	-	17.4	21.2	-	-	-
242.8	-	15.7	19.0	-	-	-
255.9	-	13.7	16.8	-	-	-
269.0	-	-	14.3	12.3	-	-
282.2	-	-	12.1	11.5	-	-
295.3	-	-	9.7	9.5	-	-
308.4	-	-	-	7.3	-	-
315.0	-	-	-	6.4	-	-

275.6 ft + 275.6 ft

ft	1,000 lb					
	91.9	20.1*	21.8*	-	-	-
98.4	20.1*	21.8*	-	-	-	-
111.5	18.5*	21.6	-	-	-	-
124.7	17.9	21.6	-	-	-	-
137.8	15.2*	20.3	-	-	-	-
150.9	13.4*	19.0	-	-	-	-
164.0	11.7*	17.2	-	-	-	-
177.2	9.5*	15.4	-	-	-	-
190.3	7.1*	13.7	-	-	-	-
203.4	-	11.9	11.5	-	-	-
216.5	-	10.1	11.5	-	-	-
229.7	-	8.6	9.9	-	-	-
242.8	-	7.3	8.4	-	-	-
255.9	-	5.7	6.6	-	-	-
262.5	-	-	6.0	-	-	-


Remarks:

Main boom angle 85°, 75°, 65°, 55° and 45°; capacities for intermediate boom positions are calculated by the crane control system IC-1

* Main boom angle 87°

NOTES TO LIFTING CAPACITY

Ratings are in compliance with ISO 4305.

Weight of hook blocks and slings is part of the load, and is to be deducted from the capacity ratings.

Consult operation manual for further details.

Note: Data published herein is intended as a guide only and shall not be construed to warrant applicability for lifting purposes. Crane operation is subject to the computer charts and operation manual both supplied with the crane.

The load charts shown in this brochure apply to Standard-SL and Vario-SL. Charts for Tele-SL with counterweight carrier are available on request. In some instances the superlift counterweight does not lift off the ground with the indicated load.

TECHNICAL DESCRIPTION

CRAWLER CARRIER

Carbody	3-section carrier comprising of carbody and two crawlers. Hydraulic pin connections between crawlers and carbody provide for easy assembly and removal to minimise width and weight for transportation.
Crawlers	Bending- and torsion-resistant welded structure of box type construction, fabricated of high-strength fine-grain structural steel.
Power train	Side frames: bending-resistant welded structure of high-strength fine-grain structural steel. Track shoes and idler tumblers are fabricated of heat-treated high-strength cast steel. 14 rollers on each side frame with hardened rolling surfaces. Automatic centralized lubrication is included as standard.
Assembly jacks	The tracks are powered by one hydraulic motor each through closed planetary gear reduction units running in oil bath, equipped with spring-applied hydraulically released holding brakes; the gear units are of extremely compact design to fit within the width of the crawlers. Each crawler is infinitely variable controlled, both independently and in opposite direction.
Assembly jacks	Four hydraulic jacking cylinders on carbody (folding within 9'11" width) for easy assembly of crawlers.

SUPERSTRUCTURE

Counterweight	308,600 lb in combination with 88,200 lb central ballast on carrier.
A-frame	Hydraulic raising system for A-frame as standard.
Frame	Torsion-resistant welded structure fabricated of high-strength fine-grain structural steel. Connected to carrier by triple-row roller bearing slew ring.
Drive	DaimlerChrysler diesel engine type OM 501 LA, 260 kW (353 hp) at 2000 1/min, torque 2000 Nm at 1080 1/min. The engine complies with EUROMOT 3a, EPA T3 and Carb regulations. Pump distribution gearbox with five variable displacement axial piston pumps incl. electronic control system, and gear pumps.
Rope drums	The standard superstructure equipment includes two rope drums – hoist 1 and boom hoist – and is prepared for hoist 2. The drums are powered by hydraulic motors through closed planetary gear units running in oil bath. All rope drums have spring-applied, hydraulically released multi-disk brakes and non-wearing hydraulic braking for load lowering. Rope ends H 1, 2 and W 1, 2 equipped with quick-connect rope end fittings. Hoist H 1 (and optionally H 2) is removable to minimise weight for transportation.
Slew units	Powered by two hydraulic motors through closed, planetary gear unit running in oil bath. Spring-applied, hydraulically released holding brake and non-wearing hydraulic braking.
Control system	Demag IC-1: Electronic proportional valve pilot control integrated in stored-program control system incl. diagnostics. 2 colour monitors, safe load indicator operated via a touchscreen. Working speeds infinitely variable controlled by the lever position. Automatic power control for optimal utilisation of engine output. Working range limiter and ground pressure indication.
Cabin	Comfortable cab with large windscreen and air-conditioning. Safety-glazing all around, roof window, self-contained hot air heater, full instrumentation and crane controls. The cab can be tilted back for improved operator view of boom point. A camera system is installed to monitor the rope drums. For transportation, the cab swings in front of the superstructure to minimise width.
Electrical equipment	24 V d. c. system.
Reeving winch	Mounted on superstructure.

OPTIONAL EQUIPMENT

Hydraulic cylinder A-frame	For self-assembly of crawlers.
Sideways outriggers	For erection of long boom systems.
Counterweight carrier	Drive 4 x 2, total weight max. 440,925 lb.
Quick-connection	Hydraulic quick-disconnect fittings on carrier and superstructure facilitate removal to minimise weight for transportation.
Track shoes	Optional width of 3'3" and 4'11".
Self-assembly for counterweight	Two hydraulic cylinders on superstructure.

TECHNICAL DESCRIPTION
BOOM CONFIGURATIONS

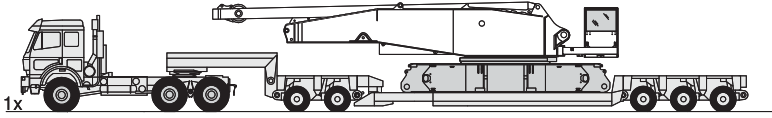
SH:	Main boom: foot section 34'5", inserts 39.4 ft and 19.7 ft (type 2721) and tapered insert 39.4 ft, boom head 4'11". Main boom lengths: 78.7-275.6 ft.
SH / LH:	Main boom: foot section 34'5", inserts 39.4 ft and 19.7 ft (type 2721), tapered insert 39.4 ft, extended by inserts 39.4 ft and 19.7 ft (type 2317), top section 24'7". Main boom lengths: 137.8-354.3 ft.
SW:	Main boom: same as SH. Offset 87° to 65°. Luffing fly jib: foot section 14'9", inserts 39.4 ft and 19.7 ft (type 2317), jib top section 24'7". Main boom lengths: 78.7-236.2 ft. Fly jib lengths: 78.7-236.2 ft.
SSL:	Main boom: same as SH. Superlift equipment. Main boom lengths: 98.4-275.6 ft.
SSL / LSL:	Main boom: foot section 34'5", inserts 157.5 ft (type 2721), tapered insert 39.4 ft, extended by inserts 39.4 ft and 19.7 ft (type 2317), top section 24'7". Superlift equipment. Main boom lengths: 255.9-413.4 ft.
SWSL:	Main boom: same as SH. Offset 87° to 45°. Luffing fly jib: same as SW. Superlift equipment. Main boom lengths: 118.1-275.6 ft. Fly jib lengths: 78.7-275.6 ft.
+LF2:	Addition to SH, SH/LH, SSL or SSL/LSL. Fixed fly jib: foot section 19.7 ft, inserts 39.4 ft (type 1813), jib top section 19.7 ft. Fly jib lengths: 39.4 ft, 78.7 ft, 118.1 ft. Offset: 10° and 30°.
Safety devices	Electronic safe load indicator, hoist limit switch, limit switches for boom movements, hydraulic boom backstops, anemometer.

SUPERLIFT CONFIGURATIONS

Standard Superlift equipment	Mast 98.4 ft (type 2116), counterweight tray for max. 441,000 lb. Superlift radii 36'1", 42'8", 49'3" (29'6" without tray).
Variable Superlift equipment	Mast 98.4 ft (type 2116), counterweight tray for max. 441,000 lb. Superlift radius infinitely variable during operation 29'6" to 49'3".
Superlift with counterweight carrier	Mast 98.4 ft (type 2116), counterweight tray for max. 441,000 lb. Superlift radius infinitely variable during operation 36'1" to 49'3".
Runner	
Hydraulic pinning of boom sections	

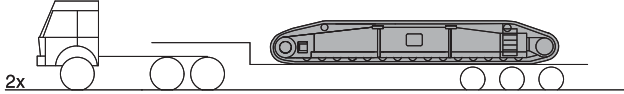
TRANSPORT EXAMPLE FOR CC 2200

Load from 104,940 lb to 141,757 lb

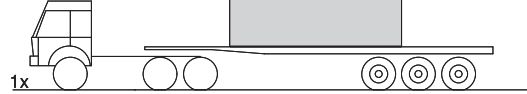


- SL counterweight
- Basic machine
- Boom combination SWSL 275.6 ft + 275.6 ft
- Containers, boxes, etc.
- Boom combination LF 118.1 ft
- Low-loader

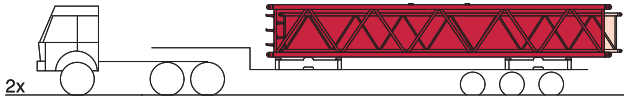
Load approx. 51,588 lb



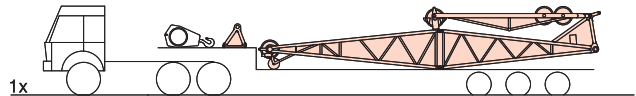
Load max. 52,911 lb



Load 53,793 lb



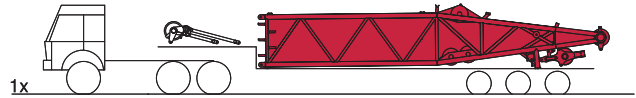
Load 11,795 lb



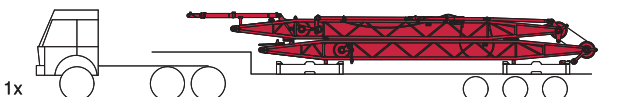
Load 62,170 lb



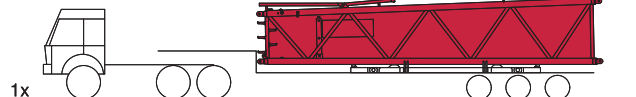
Load 9,259 lb



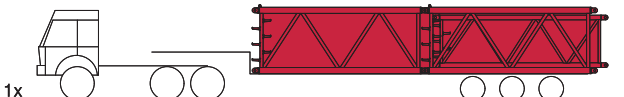
Load 55,336 lb



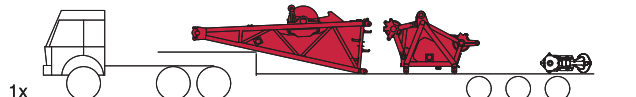
Load 55,336 lb



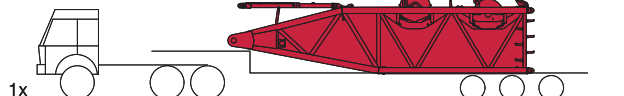
Load 15,653 lb



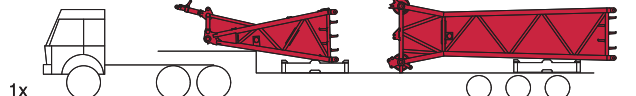
Load 39,463 lb



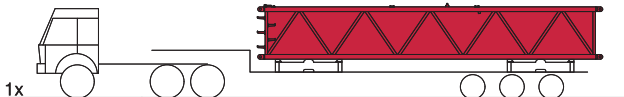
Load 22,487 lb



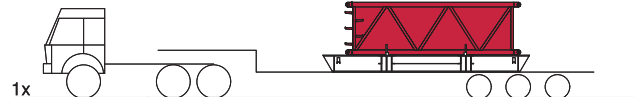
Load 58,863 lb



Load 49,163 lb



Load 13,669 lb



Effective Date: August 2008.

Product specifications and prices are subject to change without notice or obligation. The photographs and/or drawings in this document are for illustrative purposes only. Refer to the appropriate Operator's Manual for instructions on the proper use of this equipment. Failure to follow the appropriate Operator's Manual when using our equipment or to otherwise act irresponsibly may result in serious injury or death. The only warranty applicable to our equipment is the standard written warranty applicable to the particular product and sale and Terex makes no other warranty, express or implied. Products and services listed may be trademarks, service marks or trade-names of Terex Corporation and/or its subsidiaries in the USA and other countries and all rights are reserved. „TEREX“ is a registered trademark of Terex Corporation in the USA and many other countries.

Copyright © 2008 Terex Corporation.