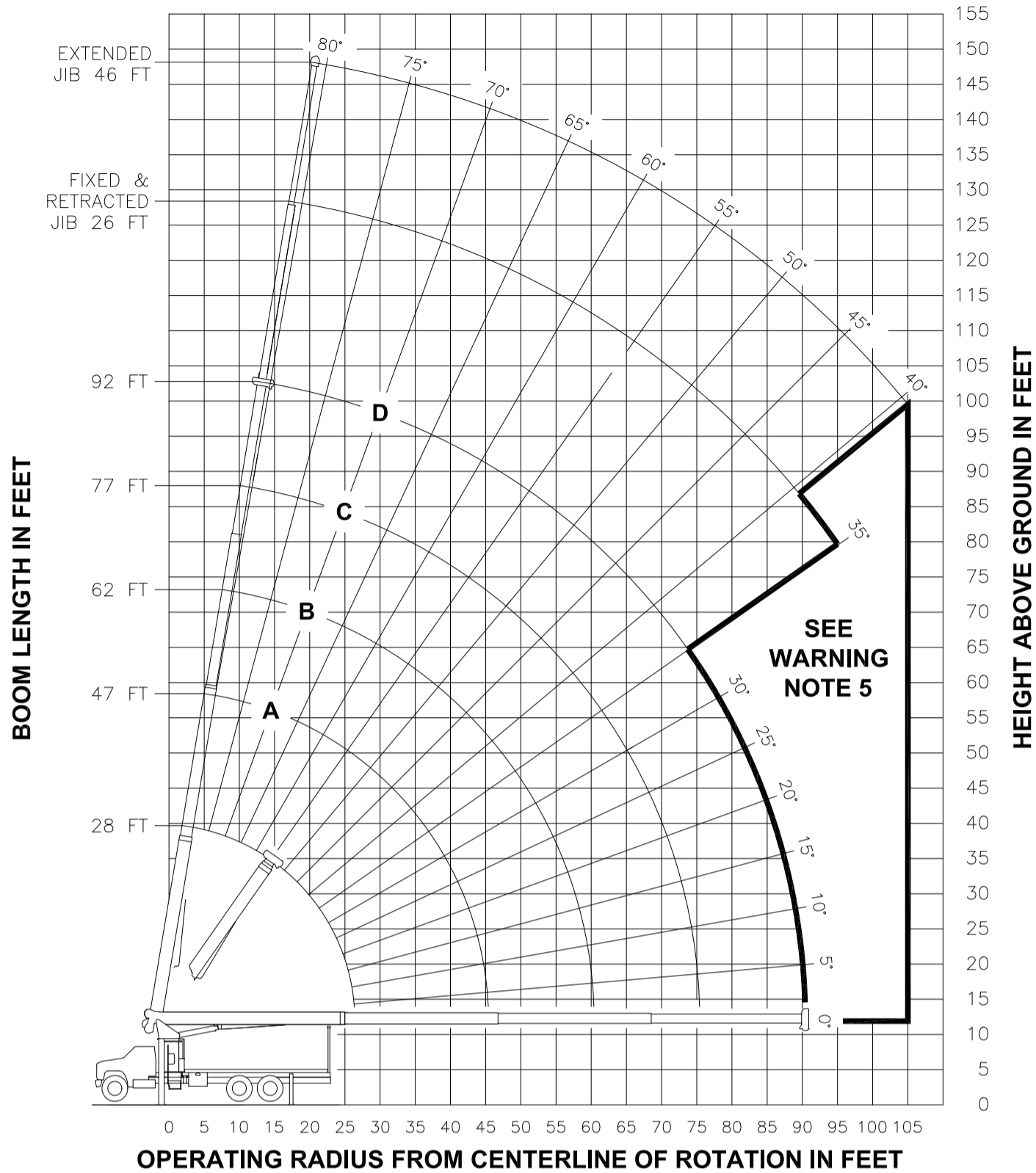


RANGE DIAGRAM



LOAD RATINGS IN LBS WITH OUTRIGGERS AND STABILIZERS EXTENDED										JIB LOAD RATINGS WITH OUTRIGGERS AND STABILIZERS EXTENDED								
LMI OR PCS CODE #1										FIXED JIB			TELESCOPIC JIB					
OPERATING RADIUS IN FEET	LOADED BOOM ANGLE	BOOM LENGTH AND MARKER	LMI OR PCS CODE #1				LMI/PCS CODE #2			LMI/PCS CODE #3			LMI/PCS CODE #4					
			A	B	C	D	JIB LENGTH FOR ALL BOOM LENGTHS SEE WARNING NOTE 4	BOOM ANGLE	JIB LENGTH FOR ALL BOOM LENGTHS SEE WARNING NOTE 4	BOOM ANGLE	JIB LENGTH FOR ALL BOOM LENGTHS SEE WARNING NOTE 4	BOOM ANGLE	JIB LENGTH FOR ALL BOOM LENGTHS SEE WARNING NOTE 4					
	28 FT	47 FT	62 FT	77 FT	92 FT													
5	79	56000																
8	73	40670																
10	69	34520	78	22500														
12	64	30130	76	22500	80	22500												
15	57	25430	72	22310	77	20960	80	15920										
20	43	20130	65	17540	72	16290	77	13540	79	10700								
25	22	15630	58	14500	67	13340	73	11710	76	9290	25	79	5600	79	5400			
30			50	12120	62	11290	69	10160	73	8330	30	77	5300	77	5100	79	3400	
35			41	9040	57	9200	65	8830	70	7320	35	75	4960	75	4700	77	3300	
40			30	6990	51	7150	60	7240	66	6460	40	72	4490	72	4230	76	3200	
45			11	5510	44	5700	56	5780	63	5730	45	70	4080	70	3820	74	3040	
50					36	4600	51	4690	59	4740	50	67	3710	67	3440	72	2800	
55					27	3750	46	3840	55	3890	55	65	3380	65	3100	69	2630	
60					10	3050	40	3160	51	3210	60	62	3080	62	2810	67	2480	
65											65	59	2790	59	2500	65	2310	
70											70	56	2320	56	2030	63	2110	
75											75	53	1930	53	1640	60	1940	
80											80	50	1590	50	1300	58	1760	
85											85	46	1300	46	1010	55	1460	
90											90	42	1040	42	750	52	1200	
95											95	38	810	38	520	49	970	
100											100					46	770	
105											105					43	580	
						460 LBS.	270 LBS.	210 LBS.	170 LBS.	140 LBS.	DEDUCTIONS FOR STOWED FIXED JIB							
						690 LBS.	410 LBS.	310 LBS.	250 LBS.	210 LBS.	DEDUCTIONS FOR STOWED TELESCOPIC JIB							

HEIGHT ABOVE GROUND IN FEET

LMI OR PCS OPERATING CODES

SETTING	CRANE CONFIGURATION	SETTING	CRANE WITH PERSONNEL LIFTING PLATFORM
#1---	MAIN BOOM	#5---	PERSONNEL LIFTING PLATFORM ON MAIN BOOM
#2---	FIXED JIB	#6---	PERSONNEL LIFTING PLATFORM ON FIXED JIB
#3---	TELESCOPIC JIB-RETRACTED	#7---	PERSONNEL LIFTING PLATFORM ON TELESCOPIC JIB-RETRACTED
#4---	TELESCOPIC JIB-EXTENDED	#8---	PERSONNEL LIFTING PLATFORM ON TELESCOPIC JIB-EXTENDED

ALLOWABLE LINE PULL

1 PART LINE	2 PART LINE	3 PART LINE	4 PART LINE	5 PART LINE	6 PART LINE	7 PART LINE	WARNING
8500 LBS	17000 LBS	25500 LBS	34000 LBS	42500 LBS	51000 LBS	56000 LBS	
7400 LBS	14800 LBS	22200 LBS	29600 LBS	37000 LBS	44400 LBS	51800 LBS	<p>9/16" 6x25 IWRC (3.5:1 SF) - 29750 LBS MIN BREAKING STRENGTH</p> <p>9/16" ROT RESISTANT (5.0:1 SF) - 37000 LBS MIN BREAKING STRENGTH</p>

DEDUCTIONS FROM RATED LOADS FOR LOAD HANDLING DEVICES SUPPLIED BY MANITEX

AUXILIARY BLOCK	---	50 LBS
AUXILIARY SHEAVE	---	50 LBS
OVERHAUL BALL	---	SEE OVERHAUL BALL MFGR. NAMEPLATE
LOAD BLOCK	---	SEE BLOCK MFGR. NAMEPLATE
HOSE REEL	---	140 LBS
SWING AROUND JIB	---	SEE LOAD CHART

WARNING

LIFTING OFF THE MAIN BOOM POINT WHILE THE SWING AROUND JIB IS ERECTED IS NOT INTENDED OR APPROVED.

WARNING

- THE OPERATOR MUST READ AND UNDERSTAND THE OWNER'S MANUAL BEFORE OPERATING THIS CRANE.
- POSITIONING OR OPERATION OF CRANE BEYOND AREAS SHOWN ON THIS CHART IS NOT INTENDED OR APPROVED EXCEPT WHERE SPECIFIED IN OWNER'S MANUAL.
- LOADED BOOM ANGLES AT SPECIFIED BOOM LENGTHS GIVE ONLY AN APPROXIMATION OF THE OPERATING RADIUS. THE BOOM ANGLE BEFORE LOADING SHOULD BE GREATER TO ACCOUNT FOR DEFLECTIONS. DO NOT EXCEED THE OPERATING RADIUS FOR RATED LOADS.
- THE OPERATING RADIUS SHOWN IN THE JIB RATING CHART IS FOR FULLY EXTENDED BOOM ONLY. WHEN BOOM IS NOT FULLY EXTENDED, USE ONLY LOADED BOOM ANGLE TO DETERMINE LOAD RATING OF JIB.
- BOOM MUST BE FULLY RETRACTED WHEN JIB IS ERECTED, BEFORE LOWERING BOOM THRU THIS AREA.
- FOR BOOM ANGLES NOT SHOWN ON JIB LOAD RATING CHART, USE RATING OF NEXT LOWER BOOM ANGLE.
- FOR BOOM LENGTHS NOT SHOWN, USE RATING OF NEXT SHORTER OR LONGER BOOM LENGTH, WHICHEVER IS LESS. FOR RADII NOT SHOWN, USE RATING OF NEXT LONGER RADIUS.
- CRANE LOAD RATINGS ON OUTRIGGERS ARE BASED ON FREELY SUSPENDED LOADS WITH THE MACHINE LEVELED AND STANDING ON A FIRM UNIFORM SUPPORTING SURFACE. NO ATTEMPT SHALL BE MADE TO MOVE A LOAD HORIZONTALLY ON THE GROUND IN ANY DIRECTION.
- PRACTICAL WORKING LOADS DEPEND ON SUPPORTING SURFACE, WIND, AND OTHER FACTORS AFFECTING STABILITY SUCH AS HAZARDOUS SURROUNDINGS, EXPERIENCE OF PERSONNEL, AND PROPER HANDLING, ALL OF WHICH MUST BE TAKEN INTO ACCOUNT BY THE OPERATOR.
- THE MAXIMUM LOAD WHICH MAY BE TELESCOPED IS LIMITED BY HYDRAULIC PRESSURE, BOOM ANGLE, AND BOOM LUBRICATION. IT IS SAFE TO ATTEMPT TO TELESCOPE ANY LOAD WITHIN THE LIMITS OF THE LOAD RATING CHART. BOOM MUST BE FULLY RETRACTED AGAINST BOOM STOPS AT ALL TIMES WHEN LIFTING MINIMUM BOOM LENGTH CAPACITY LOADS.

INFORMATION

- DEDUCTIONS MUST BE MADE FROM RATED LOADS FOR STOWED JIB, OPTIONAL ATTACHMENTS, HOOKS, AND LOAD-BLOCKS (SEE DEDUCTION CHART). WEIGHTS OF SLINGS AND ALL OTHER LOAD HANDLING DEVICES SHALL BE CONSIDERED A PART OF THE LOAD.
- CRANE LOAD RATINGS WITH OUTRIGGERS ARE BASED ON OUTRIGGERS AND STABILIZERS EXTENDED AND SET WITH MACHINE LEVELED.
- LOAD RATINGS ABOVE THE HEAVY LINE ARE STRUCTURALLY LIMITED CAPACITIES. LOAD RATINGS BELOW THE HEAVY LINE ARE STABILITY LIMITED CAPACITIES AND DO NOT EXCEED 85% OF TIPPING.

DEFINITIONS

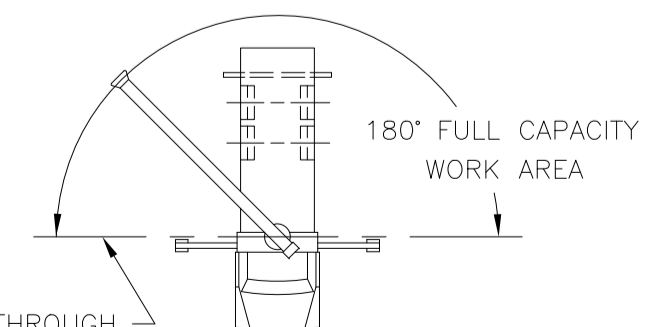
- OPERATING RADIUS IS THE HORIZONTAL DISTANCE FROM THE AXIS OF ROTATION TO THE CENTER OF THE VERTICAL HOIST LINE OR TACKLE WITH LOAD APPLIED.
- LOADED BOOM ANGLE AS SHOWN IN THE COLUMN HEADED BY α , IS THE INCLUDED ANGLE BETWEEN THE HORIZONTAL AND LONGITUDINAL AXES OF THE BOOM BASE AFTER LIFTING RATED LOAD AT RATED RADIUS.



MODEL 2892C

CRANE MEETS ANSI B30.5 REQUIREMENTS

7300097-001 NR



AREA OF OPERATION