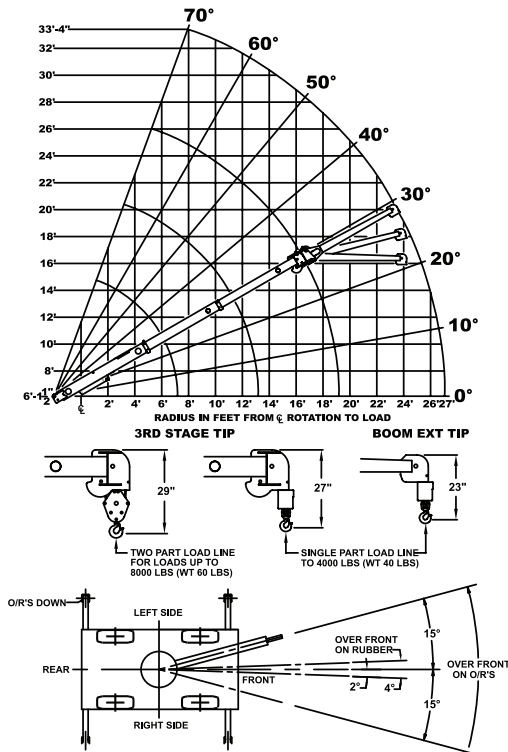


## Load Chart US Standard



Load radius is the horizontal distance from the center of rotation of the unloaded crane to the vertical load line with the load applied.

Load hooks, downhaul weights, hook blocks, and other load handling devices except hoist rope shall be considered part of the load.

Pick and carry with the shortest practical boom, centered over the front. Operate with the boom as low as possible, with the load close to the ground. Pick and carry capacities are for smooth, level paved surface.

Deck load 6000 lbs max, centered between wheels, with no boom load. Deck loads must be centered behind the front axle. Speed must be less than 2 mph. Maximum travel 200 ft. In 30 minutes.

CAPACITIES APPLY TO OPERATION ON FIRM LEVEL SURFACE									
LOAD RADIUS FEET	MAIN BOOM OR EXTENSION CAPACITIES IN POUNDS								
	360° ROTATION			OVER FRONT					
	ON RUBBER	ON OUTRIGGERS	ON RUBBER	ON OUTRIGGERS	ON RUBBER	ON OUTRIGGERS			
4	5000	8000	6700	8000					
5	4000	6800	5800	6800					
6	2850	5850	5100	5850					
8	1800	4150	3500	4150					
10	1250	3200	2350	3400					
12	900	2350	1750	2850					
14	700	1850	1350	2450					
16	600	1500	1100	2150					
18	500	1250	950	1950					
19	450	1150	900	1850					
20	400	1100	850	1600					
22	300	900	700	1450					
24	250	800	600	1300					
26	200	700	500	1150					
27	150	650	450	1100					
8' BOOM EXTENSION	BOOM EXTENSION - 8-FOOT BOOM EXTENSION - STRAIGHT OR OFFSET								
	MAIN BOOM ANGLE								
	ANGLE	0°	10°	20°	30°	40°	50°	60°	70°
	+* 0°	1100	1200	1300	1450	1600	1850	2300	3500
* 15°	—	—	1100	1250	1350	1500	1700	2050	
* 30°	—	—	—	1100	1200	1300	1450	1600	

+ USE 0° FOR STRAIGHT BOOM EXTENSION \* USE 0°, 15° or 30° FOR OFFSET BOOM EXTENSION

The booms on this unit are all steel and have no line voltage rating.

The load hoist line on this unit must be 3/8" dia. 6X36 EIP IWRC wire rope with a minimum breaking strength of 15,100 lbs.

### OPERATION

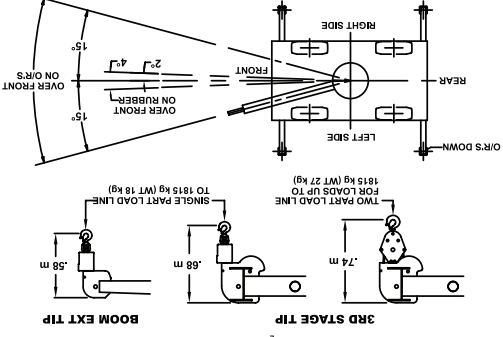
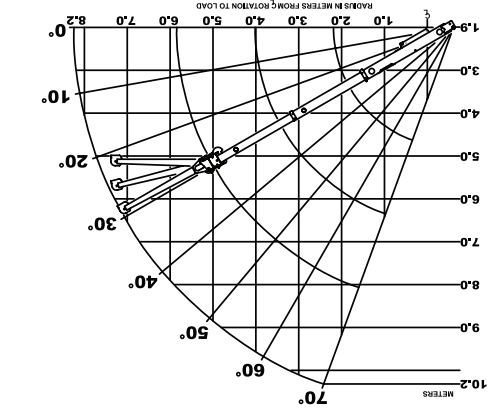
1. Read and understand owners manual before operating this crane.
2. Check level of engine oil and hydraulic oil daily.
3. Check unit for visible defects daily.
4. Extend outriggers fully if possible. If not, use "on rubber" chart.
5. Avoid quick starts and stops when operating or driving crane.

TIRE PRESSURE: 145 PSI FOR 7.50 X 10-16PL. MAXIMUM HYDRAULIC PRESSURE 2600 PSI.

EXCEEDING CAPACITY RATINGS OR APPLYING SIDE LOADS THE THE BOOM OR BOOM EXTENSION IS MISUSE, HAZARDOUS, AND VOIDS WARRANTY.

CAUTION: BOOM EXTENSION LOADS MUST NOT EXCEED MAIN BOOM CAPACITY. BOOM EXTENSION MAY ONLY CARRY LOADS WITH OUTRIGGERS DOWN. BOOM EXTENSION DEDUCT: 100 LBS. WHEN STOWED ON BASE BOOM. DO NOT PICK AND CARRY WITH LOADS ON BOOM EXTENSION. ENSURE ANTI-TWO-BLOCK SWITCH IS FUNCTIONAL AFTER DEPLOYING OR STOWING BOOM EXTENSION.

CAPACITIES ON OUTRIGGERS OUT & DOWN ARE 85% OF TIPPING LOADS. CAPACITIES ON RUBBER ARE 75% OF TIPPING LOADS. CAPACITIES BELOW BOLD LINE ARE LIMITED BY TIPPING. OTHER CAPACITIES ARE LIMITED BY STRUCTURAL OR HYDRAULIC CAPABILITY.



Load radius is the horizontal distance from the center of rotation of the unloaded crane to the vertical load line with the load applied.

Load hooks, downhaul weights, hook blocks, and other load handling devices except hoist rope shall be considered part of the load.

Pick and carry with the shortest practical boom, centered over the front. Operate with the boom as low as possible, with the load close to the ground. Pick and carry capacities are for smooth, level paved surface.

Deck load 2720 kg max, centered between wheels, with no boom load. Deck loads must be less than 3 km/h. Maximum travel 60m in 30 minutes.

### CAPACITIES APPLY TO OPERATION ON FIRM LEVEL SURFACE

LOAD RADIUS	360° ROTATION OVER FRONT		ON RUBBER		ON RUBBER		METERS	
	ON	ON	ON	ON	ON	ON		
1.2	2260	3620	3620	3040	3630	3630	1.2	
1.5	1850	3120	3120	2650	3120	3120	1.5	
2.0	1090	2420	2420	2120	2420	2420	2.0	
2.5	780	1830	1830	1520	1830	1830	2.5	
3.0	580	1480	1480	1090	1560	1560	3.0	
3.5	440	1160	1160	850	1350	1350	3.5	
4.0	350	920	920	680	1180	1180	4.0	
4.5	300	770	770	560	1050	1050	4.5	
5.0	260	650	650	480	950	950	5.0	
5.8	200	520	520	410	840	840	5.8	
6.0	190	500	500	390	750	680	6.0	
6.5	150	430	430	340	680	620	6.5	
7.0	120	380	380	290	620	570	7.0	
7.5	100	350	350	250	570	500	7.5	
8.2	70	290	290	200	500	500	8.2	
2.44 m BOOM EXTENSION								
ANGLE	0°	10°	20°	30°	40°	50°	60°	70°
+* 0°	500	540	590	660	720	840	1040	1590
* 15°	—	—	500	560	610	680	770	930
* 30°	—	—	—	500	540	590	660	720

+ USE 0° FOR STRAIGHT BOOM EXTENSION \* USE 0°, 15° or 30° FOR OFFSET BOOM EXTENSION

The booms on this unit are all steel and have no line voltage rating. The load hoist line on this unit must be 10mm. 6X36 EIP IWRC wire rope with a minimum breaking strength of 67 kN.

### OPERATION

1. Read and understand owners manual before operating this crane.
2. Check level of engine oil and hydraulic oil daily.
3. Check unit for visible defects daily.
4. Extend outriggers fully if possible. If not, use "on rubber" chart.
5. Avoid quick starts and stops when operating or driving crane.

TIRE PRESSURE: 1000 kPa FOR 7.50 X 10-16PL. MAXIMUM HYDRAULIC PRESSURE 180 BAR.

EXCEEDING CAPACITY RATINGS OR APPLYING SIDE LOADS TO THE BOOM OR BOOM EXTENSION IS MISUSE, HAZARDOUS, AND VOIDS WARRANTY. CAUTION: BOOM EXTENSION LOADS MUST NOT EXCEED MAIN BOOM CAPACITY. BOOM EXTENSION MAY ONLY CARRY LOADS WITH OUTRIGGERS DOWN. BOOM EXTENSION ON BASE BOOM. DO NOT PICK AND CARRY WITH LOADS ON BOOM EXTENSION. ENSURE ANTI-TWO-BLOCK SWITCH IS FUNCTIONAL AFTER DEPLOYING OR STOWING BOOM EXTENSION. CAPACITIES ON OUTRIGGERS OUT & DOWN ARE 85% OF TIPPING LOADS. CAPACITIES ON RUBBER ARE 75% OF TIPPING LOADS. OTHER CAPACITIES ARE LIMITED BY STRUCTURAL OR HYDRAULIC CAPABILITY.